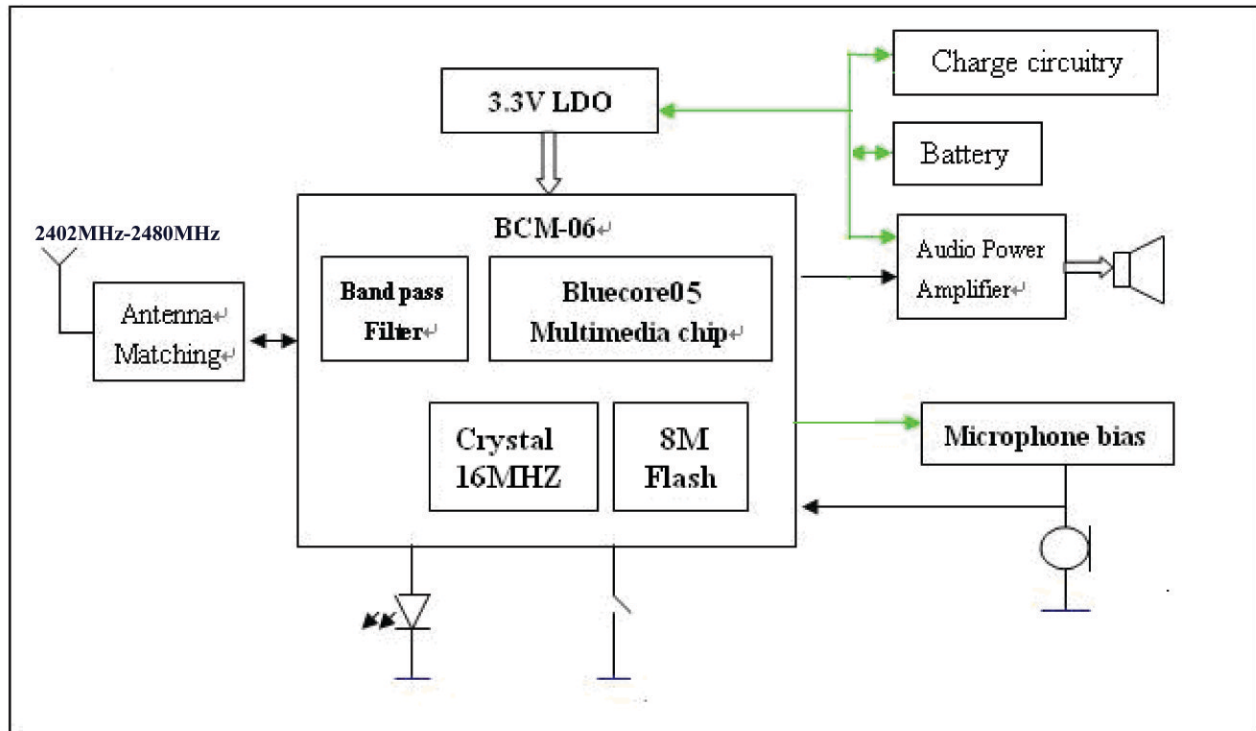


System Architecture Speakerphone



The Bluetooth Speakerphone is use CSR BC05MM solution, the BC05MM with D.S.P. solution for Echo Cancellation & Noise Suppression.

The Speakerphone consists of the BC05MM module BM-153, Status indicating LED and Four Multifunction Buttons for power on/off, Pairing, Call control ,Call mute, and Volume Control etc.

Bluetooth Class 2 Module BM-153

The BM-153 is a Class 2 Bluetooth sub-system using BlueCore5-Multimedia External chipset from leading Bluetooth chipset supplier Cambridge Silicon Radio.