



REPORT No. : SZ15060018S01

# FCC SAR TEST REPORT

APPLICANT : GUANGDONG OPPO MOBILE  
TELECOMMUNICATIONS CORP.,LTD

PRODUCT NAME : Mobile Phone

MODEL NAME : OPPO A51f

TRADE NAME : OPPO

BRAND NAME : OPPO

FCC ID : R9C-A51F

STANDARD(S) : 47CFR 2.1093  
IEEE 1528-2013

ISSUE DATE : 2015-06-24



SHENZHEN MORLAB COMMUNICATIONS TECHNOLOGY Co., Ltd.

NOTE: This document is issued by MORLAB, the test report shall not be reproduced except in full without prior written permission of the company. The test results apply only to the particular sample(s) tested and to the specific tests carried out which is available on request for validation and information confirmed at our website.

**MORLAB GROUP**

FL1-3, Building A, FeiYang Science Park, No.8 LongChang Road,  
Block67, BaoAn District, ShenZhen , GuangDong Province, P. R. China

Tel: 86-755-36698555  
Http://www.morlab.com

Fax: 86-755-36698525  
E-mail: service@morlab.cn



# DIRECTORY

**TEST REPORT DECLARATION**.....5

**1.TECHNICAL INFORMATION** .....6

1.1 IDENTIFICATION OF APPLICANT .....6

1.2 IDENTIFICATION OF MANUFACTURER.....6

1.3 EQUIPMENT UNDER TEST (EUT) .....6

1.3.1 PHOTOGRAPHS OF THE EUT.....7

1.3.2 IDENTIFICATION OF ALL USED EUT.....7

1.4 APPLIED REFERENCE DOCUMENTS .....7

1.5 DEVICE CATEGORY AND SAR LIMITS .....7

**2. SPECIFIC ABSORPTION RATE (SAR)**.....8

2.1 INTRODUCTION .....8

2.2 SAR DEFINITION .....8

**3. SAR MEASUREMENT SETUP**.....9

3.1 THE MEASUREMENT SYSTEM .....9

3.2 PROBE .....9

3.3 PROBE CALIBRATION PROCESS .....11

3.3.1 DOSIMETRIC ASSESSMENT PROCEDURE ..... 11

3.3.2 FREE SPACE ASSESSMENT PROCEDURE..... 11

3.3.3 TEMPERATURE ASSESSMENT PROCEDURE..... 11

3.4 PHANTOM .....12

3.5 DEVICE HOLDER .....12

**4. TISSUE SIMULATING LIQUIDS** .....13

**5. UNCERTAINTY ASSESSMENT** .....15

5.1 UNCERTAINTY EVALUATION FOR EUT SAR TEST.....15

5.2 UNCERTAINTY FOR SYSTEM PERFORMANCE CHECK .....16



**6. SAR MEASUREMENT EVALUATION.....18**

6.1 SYSTEM SETUP .....18

6.2 VALIDATION RESULTS .....19

**7. OPERATIONAL CONDITIONS DURING TEST.....20**

7.1 INFORMATION ON THE TESTING.....20

7.2 BODY-WORN CONFIGURATIONS .....21

7.3 MEASUREMENT PROCEDURE .....21

7.4 DESCRIPTION OF INTERPOLATION/EXTRAPOLATION SCHEME .....22

**8. HOTSPOT MODE EVALUATION PROCEDURE .....23**

**9. INFORMATION RELATED TO LTE TEST PARAMETER(PER 941225 D05V02R03).....24**

**11. SAR EVALUATION PROCEDURES&POWER MEASUREMENT FOR LTE.....28**

**9. MEASUREMENT OF CONDUCTED OUTPUT POWER .....42**

**10. TEST RESULTS LIST .....46**

**11. REPEATED SAR MEASUREMENT .....58**

**12. MULTIPLE TRANSMITTERS EVALUATION .....59**

**13. ANNEX A GENERAL INFORMATION .....62**

**14. ANNEX B PHOTOGRAPHS OF THE EUT .....62**

**15. ANNEX C GRAPH TEST RESULTS (TEST DATA) .....62**

**16. ANNEX D SYSTEM PERFORMANCE CHECK DATAANNEX A GENERAL INFORMATION .....62**

**17. ANNEX A GENERAL INFORMATION .....63**



REPORT No. : SZ15060018S01

Change History		
Issue	Date	Reason for change
1.0	2015-06-24	First edition



### TEST REPORT DECLARATION

Applicant	GUANGDONG OPPO MOBILE TELECOMMUNICATIONS CORP.,LTD		
Applicant Address	NO.18 HAIBIN ROAD, WUSHA, CHANG'AN, DONGGUAN, GUANGDONG, CHINA		
Manufacturer	GUANGDONG OPPO MOBILE TELECOMMUNICATIONS CORP.,LTD		
Manufacturer Address	NO.18 HAIBIN ROAD, WUSHA, CHANG'AN, DONGGUAN, GUANGDONG, CHINA		
Product Name	Mobile Phone		
Model Name	OPPO A51f		
Brand Name	OPPO		
HW Version	11		
SW Version	ColorOS V2.1.0i		
Test Standards	47CFR 2.1093; IEEE 1528-2013		
Test Date	2015-06-20 to 2015-06-22		
The Highest Reported 1g-SAR(W/kg)	Head	0.512W/kg	Limit(W/kg): 1.6W/kg
	Body-worn	0.728W/kg	
	Hotspot	1.134W/kg	
	Simultaneous	1.502W/kg	

Tested by : Liu Jun  
Liu Jun

Reviewed by : Zhu Zhan  
Zhu Zhan

Approved by : Hao Yanjun  
Hao Yanjun



## 1. TECHNICAL INFORMATION

Note: the Following data is based on the information by the applicant.

### 1.1 Identification of Applicant

Company Name:	GUANGDONG OPPO MOBILE TELECOMMUNICATIONS CORP.,LTD
Address:	NO.18 HAIBIN ROAD, WUSHA, CHANG'AN, DONGGUAN, GUANGDONG, CHINA

### 1.2 Identification of Manufacturer

Company Name:	GUANGDONG OPPO MOBILE TELECOMMUNICATIONS CORP.,LTD
Address:	NO.18 HAIBIN ROAD, WUSHA, CHANG'AN, DONGGUAN, GUANGDONG, CHINA

### 1.3 Equipment Under Test (EUT)

Model Name:	OPPO A51f
Trade Name:	OPPO
Brand Name:	OPPO
Hardware Version:	11
Software Version:	ColorOS V2.1.0i
Tx Frequency Bands:	GSM 850: 824-849 MHz; GSM 1900: 1850-1910 MHz; WCDMA Band 2 : 1850-1910MHz; WCDMA Band 5: 824-849 MHz; LTE Band 4: 1710-1755MHz; LTE Band 7: 2500-2570MHz; LTE Band 17:704-716MHz; 802.11 b/g/n20: 2412-2462 MHz; Bluetooth; Bluetooth4.0;
Uplink Modulations:	GSM/GPRS: GSMK; EDGE: GMSK/8PSK; WCDMA/HSDPA/HSUPA/HSPA+:QPSK; FDD-LTE:QPSK/16QAM; WIFI 802.11b: DSSS; WIFI 802.11g: OFDM; WIFI 802.11n20:OFDM; Bluetooth: GFSK/ $\pi$ /4-DQPSK/8-DPSK; Bluetooth4.0: GFSK
Multislot Class:	GPRS: Class 12; EDGE: Class 12;
GPRS Class:	Class B
DTM:	Not support
Antenna type:	Fixed Internal Antenna
Development Stage:	Identical prototype
Hotspot function:	Support



### 1.3.1 Photographs of the EUT

Please refer to the External Photos for the Photos of the EUT

### 1.3.2 Identification of all used EUT

The EUT identity consists of numerical and letter characters, the letter character indicates the test sample, and the Following two numerical characters indicate the software version of the test sample.

EUT Identity	Hardware Version	Software Version
1#	11	ColorOS V2.1.0i

### 1.4 Applied Reference Documents

Leading reference documents for testing:

No.	Identity	Document Title
1	<b>47 CFR§2.1093</b>	Radiofrequency Radiation Exposure Evaluation: Portable Devices
2	<b>IEEE 1528-2013</b>	IEEE Recommended Practice for Determining the Peak Spatial-Average Specific Absorption Rate (SAR) in the Human Head from Wireless Communications Devices: Measurement Techniques
3	<b>KDB 447498 D01v05r02</b>	General RF Exposure Guidance
4	<b>KDB 248227 D01v02</b>	SAR Measurement Procedures for 802.11 a/b/g Transmitters
5	<b>KDB 941225 D01v03</b>	SAR Measurement Procedures for 3G Devices
6	<b>KDB 941225 D02v02r02</b>	HSPA and 1x Advanced
7	<b>KDB 941225 D03v01</b>	SAR Test Reduction GSM GPRS EDGE
8	<b>KDB 941225 D04v01</b>	SAR for GSM E GPRS Dual Xfer Mode
9	<b>KDB941225 D06v01r01</b>	Hotspot Mode SAR
10	<b>KDB941225 D05v02r03</b>	SAR for LTE Devices
11	<b>KDB 865664 D01v01r03</b>	SAR Measurement 100 MHz to 6 GHz
12	<b>KDB 865664 D02v01r01</b>	SAR Reporting
13	<b>KDB648474 D04v01r02</b>	Handset SAR

### 1.5 Device Category and SAR Limits

This device belongs to portable device category because its radiating structure is allowed to be used within 20 centimeters of the body of the user. Limit for General Population/Uncontrolled exposure should be applied for this device, it is 1.6 W/kg as averaged over any 1 gram of tissue.



## 2. SPECIFIC ABSORPTION RATE (SAR)

### 2.1 Introduction

SAR is related to the rate at which energy is absorbed per unit mass in an object exposed to a radio field. The SAR distribution in a biological body is complicated and is usually carried out by experimental techniques or numerical modeling. The standard recommends limits for two tiers of groups, occupational/controlled and general population/uncontrolled, based on a person's awareness and ability to exercise control over his or her exposure. In general, occupational/controlled exposure limits are Middle than the limits for general population/uncontrolled.

### 2.2 SAR Definition

The SAR definition is the time derivative (rate) of the incremental energy (dW) absorbed by (dissipated in) an incremental mass (dm) contained in a volume element (dv) of a given density. (p). The equation description is as below:

$$\text{SAR} = \frac{d}{dt} \left( \frac{dW}{dm} \right) = \frac{d}{dt} \left( \frac{dW}{\rho dv} \right)$$

SAR is expressed in units of Watts per kilogram (W/kg)

SAR measurement can be either related to the temperature elevation in tissue by,

$$\text{SAR} = c \left( \frac{\delta T}{\delta t} \right)$$

Where C is the specific head capacity,  $\delta T$  is the temperature rise and  $\delta t$  the exposure duration, or related to the electrical field in the tissue by

$$\text{SAR} = \frac{\sigma |E|^2}{\rho}$$

Where  $\sigma$  is the conductivity of the tissue,  $\rho$  is the mass density of the tissue and  $|E|$  is the rms electrical field strength.

However for evaluating SAR of low power transmitter, electrical field measurement is typically applied.



### 3. SAR MEASUREMENT SETUP

#### 3.1 The Measurement System

Comosar is a system that is able to determine the SAR distribution inside a phantom of human being according to different standards. The Comosar system consists of the Following items:

- Main computer to control all the system
- 6 axis robot
- Data acquisition system
- Miniature E-field probe
- Phone holder
- Head simulating tissue

The Following figure shows the system.



The EUT under test operating at the maximum power level is placed in the phone holder, under the phantom, which is filled with head simulating liquid. The E-Field probe measures the electric field inside the phantom. The OpenSAR software computes the results to give a SAR value in a 1g or 10g mass.

#### 3.2 Probe

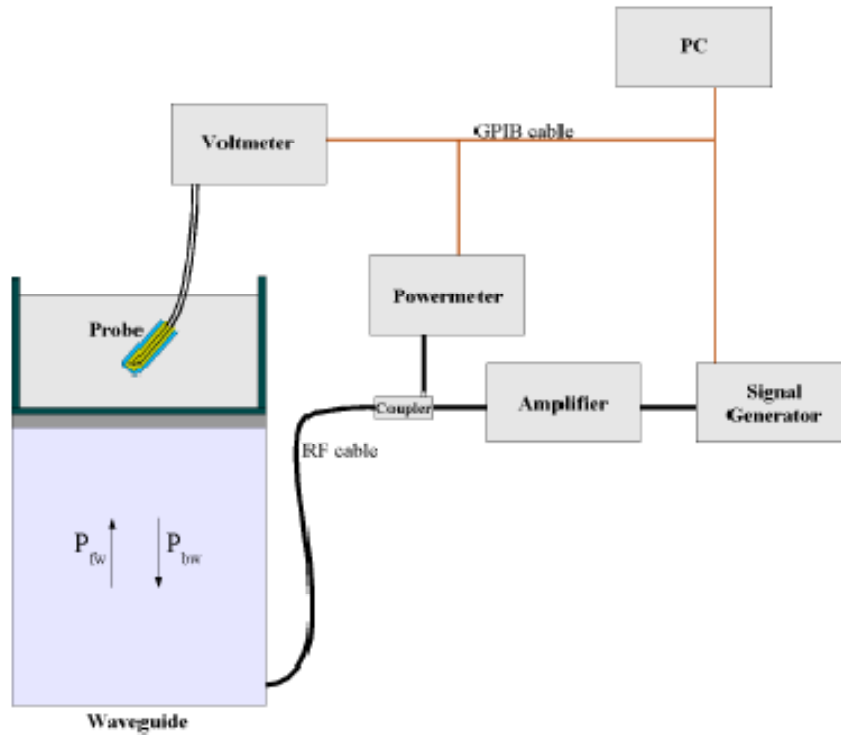
For the measurements the Specific Dosimetric E-Field Probe SN 37/08 EP80 with Following specifications is used

- Dynamic range: 0.01-100 W/kg
- Tip Diameter: 6.5 mm

- Distance between probe tip and sensor center: 2.5mm
- Distance between sensor center and the inner phantom surface: 4 mm  
(repeatability better than +/- 1mm)
- Probe linearity: <0.25 dB
- Axial Isotropy: <0.25 dB
- Spherical Isotropy: <0.25 dB
- Calibration range: 835to 2500MHz for head & body simulating liquid.

Angle between probe axis (evaluation axis) and surface normal line: less than 30°

Probe calibration is realized, in compliance with CENELEC EN 62209 and IEEE 1528 std, with CALISAR, Antenna proprietary calibration system. The calibration is performed with the EN 622091 annex technique using reference guide at the five frequencies.



$$SAR = \frac{4(P_{fw} - P_{bw})}{ab\delta} \cos^2\left(\pi \frac{y}{a}\right) c \quad (2z/\delta)$$

Where :

P<sub>fw</sub> = Forward Power

P<sub>bw</sub> = Backward Power

a and b = Waveguide dimensions

l = Skin depth



Keithley configuration:

Rate = Medium; Filter =ON; RDGS=10; FILTER TYPE =MOVING AVERAGE; RANGE AUTO

After each calibration, a SAR measurement is performed on a validation dipole and compared with a NPL calibrated probe, to verify it.

The calibration factors, CF(N), for the 3 sensors corresponding to dipole 1, dipole 2 and dipole 3 are:

$$CF(N)=SAR(N)/V_{lin}(N) \quad (N=1,2,3)$$

The linearised output voltage  $V_{lin}(N)$  is obtained from the displayed output voltage  $V(N)$  using

$$V_{lin}(N)=V(N)*(1+V(N)/DCP(N)) \quad (N=1,2,3)$$

Where DCP is the diode compression point in mV.

### 3.3 Probe Calibration Process

#### 3.3.1 Dosimetric Assessment Procedure

Each E-Probe/Probe Amplifier combination has unique calibration parameters. SATIMO Probe calibration procedure is conducted to determine the proper amplifier settings to enter in the probe parameters. The amplifier settings are determined for a given frequency by subjecting the probe to a known E-field density ( $1 \text{ mW/cm}^2$ ) using an with CALISAR, Antenna proprietary calibration system.

#### 3.3.2 Free Space Assessment Procedure

The free space E-field from amplified probe outputs is determined in a test chamber. This calibration can be performed in a TEM cell if the frequency is below 1 GHz and in a waveguide or other methodologies above 1 GHz for free space. For the free space calibration, the probe is placed in the volumetric center of the cavity and at the proper orientation with the field. The probe is rotated 360 degrees until the three channels show the maximum reading. The power density readings equates to  $1 \text{ mW/cm}^2$ .

#### 3.3.3 Temperature Assessment Procedure

E-field temperature correlation calibration is performed in a flat phantom filled with the appropriate simulating head tissue. The E-field in the medium correlates with the temperature rise in the dielectric medium. For temperature correlation calibration a RF transparent thermistor-based temperature probe is used in conjunction with the E-field probe.

Where:

$$\delta t = \text{exposure time (30 seconds),}$$

$$SAR = C \left( \frac{\delta T}{\delta t} \right)$$

C = heat capacity of tissue (brain or muscle),

$\delta T$  = temperature increase due to RF exposure.

SAR is proportional to  $\Delta T/\Delta t$ , the initial rate of tissue heating, before thermal diffusion takes place. The electric field in the simulated tissue can be used to estimate SAR by equating the thermally derived SAR to that with the E- field component.

Where:

$$SAR = \frac{\sigma |E|^2}{\rho}$$

$\sigma$  = simulated tissue conductivity,

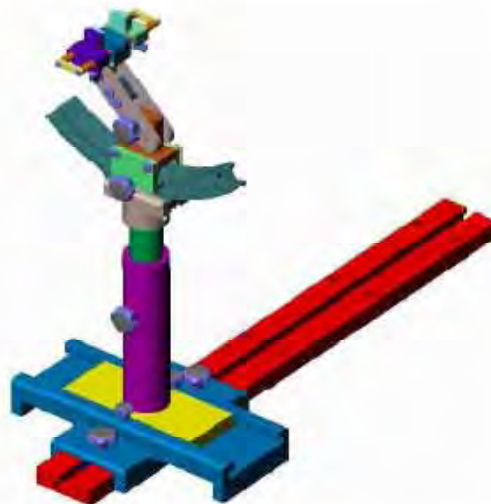
$\rho$  = Tissue density (1.25 g/cm<sup>3</sup> for brain tissue)

### 3.4 Phantom

For the measurements the Specific Anthropomorphic Mannequin (SAM) defined by the IEEE SCC-34/SC2 group is used. The phantom is a polyurethane shell integrated in a wooden table. The thickness of the phantom amounts to 2mm +/- 0.2mm. It enables the dosimetric evaluation of left and right phone usage and includes an additional flat phantom part for the simplified performance check. The phantom set-up includes a cover, which prevents the evaporation of the liquid.

### 3.5 Device Holder

The positioning system allows obtaining cheek and tilting position with a very good accuracy. In compliance with CENELEC, the tilt angle uncertainty is Middle than 1°.



Device holder

System Material	Permittivity	Loss Tangent
Delrin	3.7	0.005



#### 4. TISSUE SIMULATING LIQUIDS

For SAR measurement of the field distribution inside the phantom, the phantom must be filled with homogeneous tissue simulating liquid to a depth of at least 15 cm. For head SAR testing, the liquid height from the ear reference point (ERP) of the phantom to the liquid top surface is larger than 15 cm. For body SAR testing, the liquid height from the center of the flat phantom to the liquid top surface is larger than 15 cm. The nominal dielectric values of the tissue simulating liquids in the phantom and the tolerance of 5% are listed in below table.

The following table gives the recipes for tissue simulating liquids

Frequency Band (MHz)	750	835		1750	1900		2450	
Tissue Type	Body	Head	Body	Body	Head	Body	Head	Body
Ingredients (% by weight )								
Deionised Water	50.00	50.36	50.20	68.80	54.90	40.40	62.70	73.20
Salt(NaCl)	0.80	1.25	0.90	0.20	0.18	0.50	0.50	0.10
Sugar	48.80	0.00	48.50	0.00	0.00	58.00	0.00	0.00
Tween 20	0.00	48.39	0.00	0.00	0.00	0.00	0.00	0.00
HEC	0.20	0.00	0.20	0.00	0.00	1.00	0.00	0.00
Bactericide	0.20	0.00	0.20	0.00	0.00	0.10	0.00	0.00
Triton X-100	0.00	0.00	0.00	0.00	0.00	0.00	36.80	0.00
DGBE	0.00	0.00	0.00	31.00	44.92	0.00	0.00	26.70
Diethylenglycol monohexylether	0.00	0.00	0.00	0.00	0.00	0.00	0.00	0.00
Measured dielectric parameters								
Dielectric Constant	55.50	41.50	56.10	53.40	39.90	53.30	39.20	52.70
Conductivity (S/m)	0.96	0.90	0.95	1.49	1.42	1.52	1.80	1.95

Note: Please refer to the validation results for dielectric parameters of each frequency band.

The dielectric properties of the tissue simulating liquids were verified prior to the SAR evaluation using an Agilent 85033E Dielectric Probe Kit and an Agilent Network Analyzer.



**Table 1: Dielectric Performance of Tissue Simulating Liquid**

Temperature: 22.0~23.8°C, humidity: 54~60%.						
Date	Freq.(MHz)	Liquid Parameters	Meas.	Target	Delta(%)	Limit±(%)
2015/06/20	Body 750	Relative Permittivity(er):	54.68	55.55	-1.57	5
		Conductivity( $\sigma$ ):	0.97	0.96	1.04	5
2015/06/20	Head 835	Relative Permittivity(er):	41.36	41.5	-0.34	5
		Conductivity( $\sigma$ ):	0.91	0.90	1.11	5
2015/06/20	Body 835	Relative Permittivity(er):	55.69	56.10	-0.73	5
		Conductivity( $\sigma$ ):	0.97	0.95	2.11	5
2015/06/21	Body 1750	Relative Permittivity(er):	53.56	53.40	-0.30	5
		Conductivity( $\sigma$ ):	1.47	1.49	-1.34	5
2015/06/21	Head 1900	Relative Permittivity(er):	39.98	39.90	0.20	5
		Conductivity( $\sigma$ ):	1.41	1.42	-0.70	5
2015/06/21	Body 1900	Relative Permittivity(er):	53.10	53.3	-0.38	5
		Conductivity( $\sigma$ ):	1.53	1.52	0.66	5
2015/06/22	Head 2450	Relative Permittivity(er):	39.29	39.20	0.23	5
		Conductivity( $\sigma$ ):	1.79	1.80	-0.56	5
2015/06/22	Body 2450	Relative Permittivity(er):	52.52	52.70	-0.34	5
		Conductivity( $\sigma$ ):	1.94	1.95	-0.51	5



## 5. UNCERTAINTY ASSESSMENT

The Following table includes the uncertainty table of the IEEE 1528. The values are determined by Antennessa.

### 5.1 UNCERTAINTY EVALUATION FOR EUT SAR TEST

a	b	c	d	e= f(d,k)	f	g	h= c*f/e	i= c*g/ e	k
Uncertainty Component	Sec.	Tol (+-%)	Prob . Dist.	Div.	Ci (1g)	Ci (10g)	1g Ui (+-%)	10g Ui (+-%)	Vi
<b>Measurement System</b>									
Probe calibration	E.2.1	4.76	N	1	1	1	4.76	4.7	∞
Axial Isotropy	E.2.2	2.5	R	$\sqrt{3}$	0.7	0.7	1.01	1.0	∞
Hemispherical Isotropy	E.2.2	4.0	R	$\sqrt{3}$	0.7	0.7	1.62	1.6	∞
Boundary effect	E.2.3	1.0	R	$\sqrt{3}$	1	1	0.58	0.5	∞
Linearity	E.2.4	5.0	R	$\sqrt{3}$	1	1	2.89	2.8	∞
System detection limits	E.2.5	1.0	R	$\sqrt{3}$	1	1	0.58	0.5	∞
Readout Electronics	E.2.6	0.02	N	1	1	1	0.02	0.0	∞
Reponse Time	E.2.7	3.0	R	$\sqrt{3}$	1	1	1.73	1.7	∞
Integration Time	E.2.8	2.0	R	$\sqrt{3}$	1	1	1.15	1.1	∞
RF ambient Conditions	E.6.1	3.0	R	$\sqrt{3}$	1	1	1.73	1.7	∞
Probe positioner Mechanical Tolerance	E.6.2	2.0	R	$\sqrt{3}$	1	1	1.15	1.1 5	∞
Probe positioning with respect to Phantom Shell	E.6.3	0.05	R	$\sqrt{3}$	1	1	0.03	0.0 3	∞
Extrapolation, interpolation and integration Algorithms for Max. SAR Evaluation	E.5.2	5.0	R	$\sqrt{3}$	1	1	2.89	2.8 9	∞
<b>Test sample Related</b>									
Test sample positioning	E.4.2. 1	0.03	N	1	1	1	0.03	0.0 3	N- 1
Device Holder Uncertainty	E.4.1.	5.00	N	1	1	1	5.00	5.0	N-



	1							0	1
Output power Power drift - SAR drift measurement	6.6.2	4.04	R	$\sqrt{3}$	1	1	2.33	2.3 3	$\infty$
<b>Phantom and Tissue Parameters</b>									
Phantom Uncertainty (Shape and thickness tolerances)	E.3.1	0.05	R	$\sqrt{3}$	1	1	0.03	0.0 3	$\infty$
Liquid conductivity - deviation from target value	E.3.2	4.57	R	$\sqrt{3}$	0.64	0.43	1.69	1.1 3	$\infty$
Liquid conductivity - measurement uncertainty	E.3.3	5.00	N	1	0.64	0.43	3.20	2.1 5	M
Liquid permittivity - deviation from target value	E.3.2	3.69	R	$\sqrt{3}$	0.6	0.49	1.28	1.0 4	$\infty$
Liquid permittivity - measurement uncertainty	E.3.3	10.0 0	N	1	0.6	0.49	6.00	4.9 0	M
Combined Standard Uncertainty			RSS				11.55	10. 67	
Expanded Uncertainty (95% Confidence interval)			K=2				23.11	21. 33	

**5.2 UNCERTAINTY FOR SYSTEM PERFORMANCE CHECK**

a	b	c	d	e= f(d,k)	f	g	h= c*f/e	i= c*g/ e	k
Uncertainty Component	Sec.	Tol (+ %)	Prob . Dist.	Div.	Ci (1g)	Ci (10g)	1g Ui (+-%)	10g Ui (+ %)	Vi
<b>Measurement System</b>									
Probe calibration	E.2.1	4.76	N	1	1	1	4.76	4.7	$\infty$
Axial Isotropy	E.2.2	2.5	R	$\sqrt{3}$	0.7	0.7	1.01	1.0	$\infty$
Hemispherical Isotropy	E.2.2	4.0	R	$\sqrt{3}$	0.7	0.7	1.62	1.6	$\infty$
Boundary effect	E.2.3	1.0	R	$\sqrt{3}$	1	1	0.58	0.5	$\infty$
Linearity	E.2.4	5.0	R	$\sqrt{3}$	1	1	2.89	2.8	$\infty$
System detection limits	E.2.5	1.0	R	$\sqrt{3}$	1	1	0.58	0.5	$\infty$
Readout Electronics	E.2.6	0.02	N	1	1	1	0.02	0.0	$\infty$



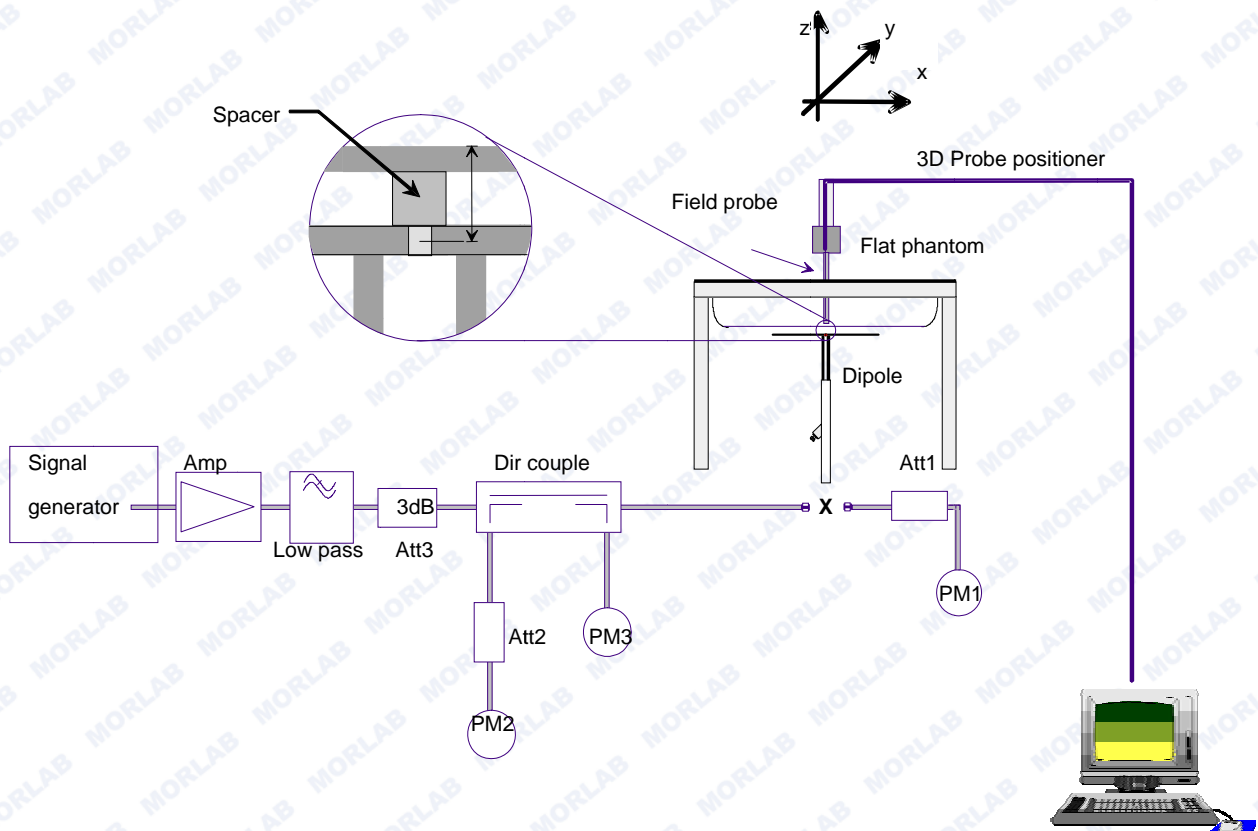


Reponse Time	E.2.7	3.0	R	$\sqrt{3}$	1	1	1.73	1.7	$\infty$
Integration Time	E.2.8	2.0	R	$\sqrt{3}$	1	1	1.15	1.1	$\infty$
RF ambient Conditions	E.6.1	3.0	R	$\sqrt{3}$	1	1	1.73	1.7	$\infty$
Probe positioner Mechanical Tolerance	E.6.2	2.0	R	$\sqrt{3}$	1	1	1.15	1.1 5	$\infty$
Probe positioning with respect to Phantom Shell	E.6.3	0.05	R	$\sqrt{3}$	1	1	0.03	0.0 3	$\infty$
Extrapolation, interpolation and integration Algorithms for Max. SAR Evaluation	E.5.2	5.0	R	$\sqrt{3}$	1	1	2.89	2.8 9	$\infty$
<b>Dipole</b>									
Dipole axis to liquid Distance	8,E.4. 2	1.00	N	$\sqrt{3}$	1	1	0.58	0.5 8	$\infty$
Input power and SAR drift measurement	8,6.6. 2	4.04	R	$\sqrt{3}$	1	1	2.33	2.3 3	$\infty$
<b>Phantom and Tissue Parameters</b>									
Phantom Uncertainty (Shape and thickness tolerances)	E.3.1	0.05	R	$\sqrt{3}$	1	1	0.03	0.0 3	$\infty$
Liquid conductivity - deviation from target value	E.3.2	4.57	R	$\sqrt{3}$	0.64	0.43	1.69	1.1 3	$\infty$
Liquid conductivity - measurement uncertainty	E.3.3	5.00	N	$\sqrt{3}$	0.64	0.43	1.85	1.2 4	M
Liquid permittivity - deviation from target value	E.3.2	3.69	R	$\sqrt{3}$	0.6	0.49	1.28	1.0 4	$\infty$
Liquid permittivity - measurement uncertainty	E.3.3	10.0 0	N	$\sqrt{3}$	0.6	0.49	3.46	2.8 3	M
Combined Standard Uncertainty			RSS				8.83	8.3 7	
Expanded Uncertainty (95% Confidence interval)			K=2				17.66	16. 73	

## 6. SAR MEASUREMENT EVALUATION

### 6.1 System Setup

In the simplified setup for system evaluation, the DUT is replaced by a calibrated dipole and the power source is replaced by a continuous wave which comes from a signal generator. The calibrated dipole must be placed beneath the flat phantom section of the SAM twin phantom with the correct distance holder. The distance holder should touch the phantom surface with a light pressure at the reference marking and be oriented parallel to the long side of the phantom. The system check verifies that the system operates within its specifications. It is performed daily or before every SAR measurement. The system check uses normal SAR measurements in the flat section of the phantom with a matched dipole at a specified distance. The system verification setup is shown as below



The validation dipole is placed beneath the flat phantom with the specific spacer in place. The distance spacer is touch the phantom surface with a light pressure at the reference marking and be oriented parallel to the long side of the phantom. The power meter PM1 measures the forward power at the location of the system check dipole connector. The signal generator is adjusted for the desired forward power (250 mW is used for 700 MHz to 3 GHz, 100 mW is used for 3.5 GHz to



6 GHz) at the dipole connector and the power meter PM2 is read at that level. After connecting the cable to the dipole, the signal generator is readjusted for the same reading at power meter PM2.

## 6.2 Validation Results

After system check testing, the SAR result will be normalized to 1W forward input power and compared with the reference SAR value derived from validation dipole certificate report. The deviation of system check should be within 10 %.

Frequency	750MHz(H)	835MHz(H)	835MHz(B)	1750MHz(B)
Target value 1W (1g)	8.83 W/Kg	9.71 W/Kg	10.02 W/Kg	40.12 W/Kg
Test value 1g (250 mW input power)	2.158 W/Kg (06.20)	2.387 W/Kg (06.20)	2.451 W/Kg (06.20)	9.908 W/Kg (06.21)
Normalized to 1W value(1g)	8.632 W/Kg	9.548 W/Kg	9.804 W/Kg	39.632 W/Kg

Frequency	1900MHz(H)	1900MHz(B)	2450MHz(H)	2450MHz(B)
Target value 1W (1g)	39.39 W/Kg	42.33 W/Kg	54.74 W/Kg	56.09 W/Kg
Test value 1g (250 mW input power)	9.778 W/Kg (06.21)	9.986 W/Kg (06.21)	12.837 W/Kg (06.22)	12.926 W/Kg (06.22)
Normalized to 1W value(1g)	39.112 W/Kg	39.944 W/Kg	51.348 W/Kg	51.704 W/Kg

**Note:** System checks the specific test data please see Annex D

## 7. OPERATIONAL CONDITIONS DURING TEST

### 7.1 Information on the testing

The mobile phone antenna and battery are those specified by the manufacturer. The battery is fully charged before each measurement. The output power and frequency are controlled using a base station simulator. The mobile phone is set to transmit at its highest output peak power level.

The mobile phone is test in the “cheek” and “tilted” positions on the left and right sides of the phantom. The mobile phone is placed with the vertical centre line of the body of the mobile phone and the horizontal line crossing the centre of the earpiece in a plane parallel to the sagittal plane of the phantom.

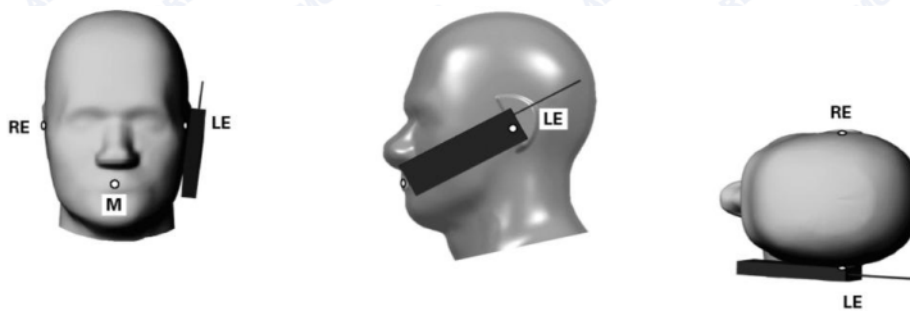


Illustration for Cheek Position

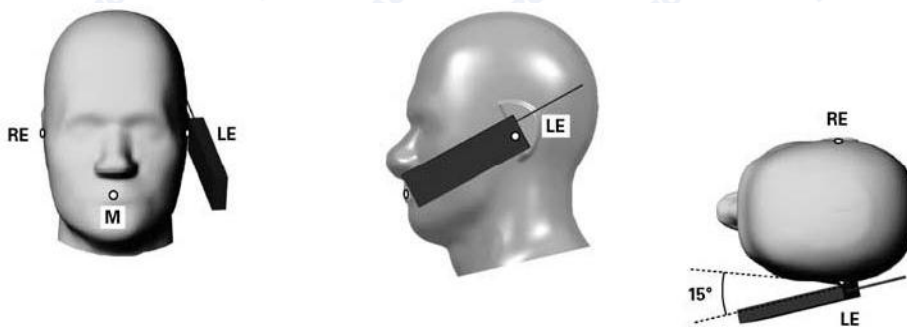


Illustration for Tilted Position

Description of the “cheek” position:

The mobile phone is well placed in the reference plane and the earpiece is in contact with the ear. Then the mobile phone is moved until any point on the front side get in contact with the cheek of the phantom or until contact with the ear is lost.

Description of the “tilted” position:

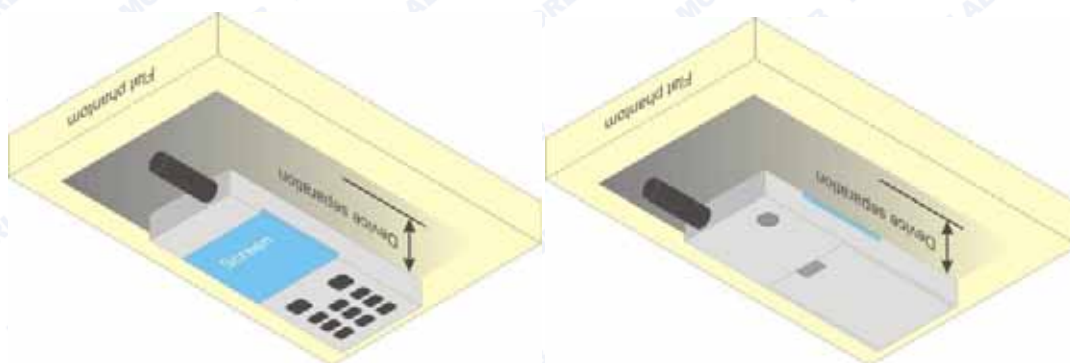
The mobile phone is well placed in the “cheek” position as described above. Then the mobile phone is moved outward away from the mouth by an angle of 15 degrees or until contact with the ear lost.

Remark: Please refer to Appendix B for the test setup photos.

## 7.2 Body-worn Configurations

The body-worn configurations shall be tested with the supplied accessories (belt-clips, holsters, etc.) attached to the device in normal use configuration.

For body-worn and other configurations a flat phantom shall be used which is comprised of material with electrical properties similar to the corresponding tissues.



**Illustration for Body Worn Position**

## 7.3 Measurement procedure

The Following steps are used for each test position

1. Establish a call with the maximum output power with a base station simulator. The connection between the mobile and the base station simulator is established via air interface.
2. Measurement of the local E-field value at a fixed location. This value serves as a reference value for calculating a possible power drift.
3. Measurement of the SAR distribution with a grid of 8 to 16mm \* 8 to 16 mm and a constant distance to the inner surface of the phantom. Since the sensors cannot directly measure at the inner phantom surface, the values between the sensors and the inner phantom surface are extrapolated. With these values the area of the maximum SAR is calculated by an interpolation scheme.
4. Around this point, a cube of 30 \* 30 \* 30 mm or 32 \* 32 \* 32 mm is assessed by measuring 5 or



8 \* 5 or 8\*4 or 5 mm. With these data, the peak spatial-average SAR value can be calculated.

#### **7.4 Description of interpolation/extrapolation scheme**

The local SAR inside the phantom is measured using small dipole sensing elements inside a probe body. The probe tip must not be in contact with the phantom surface in order to minimize measurements errors, but the highest local SAR will occur at the surface of the phantom.

An extrapolation is using to determinate this highest local SAR values. The extrapolation is based on a fourth-order least-square polynomial fit of measured data. The local SAR value is then extrapolated from the liquid surface with a 1mm step.

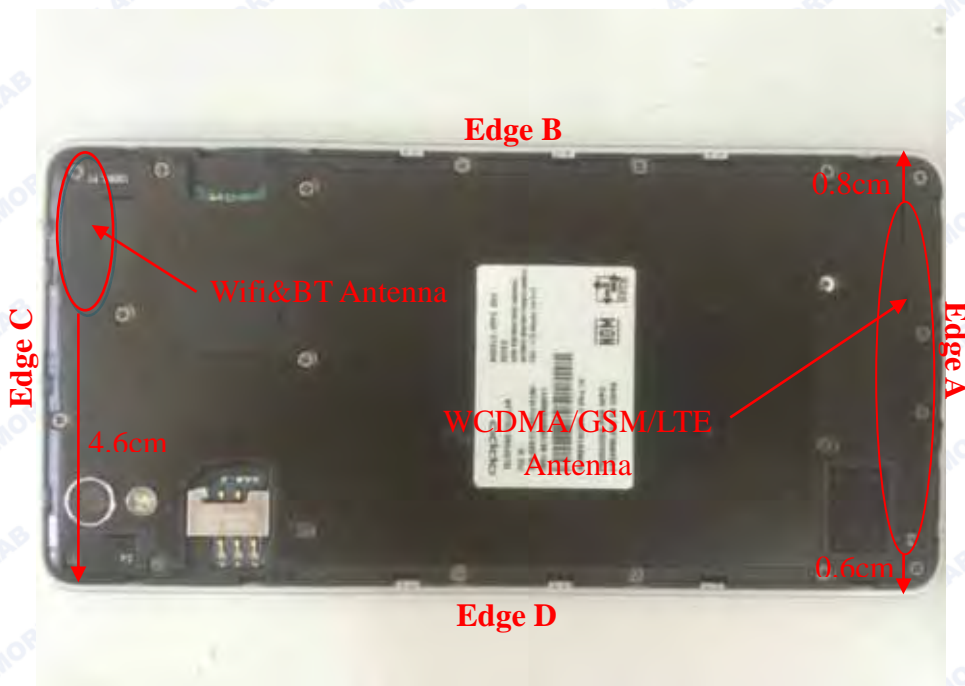
The measurements have to be performed over a limited time (due to the duration of the battery) so the step of measurement is high. It could vary between 5 and 8 mm. To obtain an accurate assessment of the maximum SAR averaged over 10 grams and 1 gram requires a very fine resolution in the three dimensional scanned data array.

## 8. HOTSPOT MODE EVALUATION PROCEDURE

The SAR evaluation procedures for Portable Devices with Wireless Router function is according to KDB 941225 D06 Hot Spot SAR v01r01.

SAR must be tested for all surfaces and edges (side) with a transmitting antenna with in 2.5 cm from that surface or edge, at a test separation distance of 10 mm, in the wireless mode that support wireless routing.

Edge configurations:



Assessment	Hotspot side for SAR					
	Test distance: 10mm					
Antennas	Back	Front	Edge A	Edge B	Edge C	Edge D
WCDMA/GSM	Yes	Yes	Yes	Yes	No	Yes
WLAN&BT	Yes	Yes	No	Yes	Yes	No



**9. Information Related to LTE Test parameter(Per 941225 D05v02r03)**

1	Identify the operating frequency range of each LTE transmission FCC band used by the device	Band 4 Tx:1710-1755 MHz Rx:2110-2155 MHz Band 7 Tx:2500-2570MHz Rx:2620-2690MHz Band 17 Tx:704-716MHz Rx:734-746MHz																																																																																																						
2	Identify the high, middle and low (L, M, H) channel numbers and frequencies tested in each LTE frequency band	<table border="1"> <thead> <tr> <th rowspan="2">Band4</th> <th colspan="6">Channel Bandwidth</th> </tr> <tr> <th>20MHz</th> <th>15MHz</th> <th>10MHz</th> <th>5MHz</th> <th>3MHz</th> <th>1.4MHz</th> </tr> </thead> <tbody> <tr> <td>Low</td> <td>20050/ 1720</td> <td>20025/ 1717.5</td> <td>20000/ 1715</td> <td>19975/ 1712.5</td> <td>19965/ 1711.5</td> <td>19957/ 1710.7</td> </tr> <tr> <td>Middle</td> <td>20175/ 1732.5</td> <td>20175/ 1732.5</td> <td>20175/ 1732.5</td> <td>20175/ 1732.5</td> <td>20175/ 1732.5</td> <td>20175/ 1732.5</td> </tr> <tr> <td>High</td> <td>20300/ 1745</td> <td>20325/ 1747.5</td> <td>20350/ 1750</td> <td>20375/ 1752.5</td> <td>20384/ 1753.5</td> <td>20392/ 1754.2</td> </tr> <tr> <th rowspan="2">Band7</th> <th colspan="6">Channel Bandwidth</th> </tr> <tr> <th>20MHz</th> <th>15MHz</th> <th>10MHz</th> <th>5MHz</th> <th>3MHz</th> <th>1.4MHz</th> </tr> <tr> <td>Low</td> <td>20850/ 2510</td> <td>20825/ 2507.2</td> <td>20800/ 2505</td> <td>20775/ 2502.5</td> <td>/</td> <td>/</td> </tr> <tr> <td>Middle</td> <td>21100/ 2535</td> <td>21100/ 2535</td> <td>21100/ 2535</td> <td>21100/ 2535</td> <td>/</td> <td>/</td> </tr> <tr> <td>High</td> <td>21350/ 2560</td> <td>21375/ 2562.5</td> <td>21400/ 2565</td> <td>21425/ 2567.5</td> <td>/</td> <td>/</td> </tr> <tr> <th rowspan="2">Band17</th> <th colspan="6">Channel Bandwidth</th> </tr> <tr> <th>20MHz</th> <th>15MHz</th> <th>10MHz</th> <th>5MHz</th> <th>3MHz</th> <th>1.4MHz</th> </tr> <tr> <td>Low</td> <td>/</td> <td>/</td> <td>23780/ 709.0</td> <td>23775/ 706.5</td> <td>/</td> <td>/</td> </tr> <tr> <td>Middle</td> <td>/</td> <td>/</td> <td>23790/ 710.0</td> <td>21100/ 710.0</td> <td>/</td> <td>/</td> </tr> <tr> <td>High</td> <td>/</td> <td>/</td> <td>23800/ 711.0</td> <td>23825/ 713.5</td> <td>/</td> <td>/</td> </tr> </tbody> </table>	Band4	Channel Bandwidth						20MHz	15MHz	10MHz	5MHz	3MHz	1.4MHz	Low	20050/ 1720	20025/ 1717.5	20000/ 1715	19975/ 1712.5	19965/ 1711.5	19957/ 1710.7	Middle	20175/ 1732.5	20175/ 1732.5	20175/ 1732.5	20175/ 1732.5	20175/ 1732.5	20175/ 1732.5	High	20300/ 1745	20325/ 1747.5	20350/ 1750	20375/ 1752.5	20384/ 1753.5	20392/ 1754.2	Band7	Channel Bandwidth						20MHz	15MHz	10MHz	5MHz	3MHz	1.4MHz	Low	20850/ 2510	20825/ 2507.2	20800/ 2505	20775/ 2502.5	/	/	Middle	21100/ 2535	21100/ 2535	21100/ 2535	21100/ 2535	/	/	High	21350/ 2560	21375/ 2562.5	21400/ 2565	21425/ 2567.5	/	/	Band17	Channel Bandwidth						20MHz	15MHz	10MHz	5MHz	3MHz	1.4MHz	Low	/	/	23780/ 709.0	23775/ 706.5	/	/	Middle	/	/	23790/ 710.0	21100/ 710.0	/	/	High	/	/	23800/ 711.0	23825/ 713.5	/	/
Band4	Channel Bandwidth																																																																																																							
	20MHz	15MHz	10MHz	5MHz	3MHz	1.4MHz																																																																																																		
Low	20050/ 1720	20025/ 1717.5	20000/ 1715	19975/ 1712.5	19965/ 1711.5	19957/ 1710.7																																																																																																		
Middle	20175/ 1732.5	20175/ 1732.5	20175/ 1732.5	20175/ 1732.5	20175/ 1732.5	20175/ 1732.5																																																																																																		
High	20300/ 1745	20325/ 1747.5	20350/ 1750	20375/ 1752.5	20384/ 1753.5	20392/ 1754.2																																																																																																		
Band7	Channel Bandwidth																																																																																																							
	20MHz	15MHz	10MHz	5MHz	3MHz	1.4MHz																																																																																																		
Low	20850/ 2510	20825/ 2507.2	20800/ 2505	20775/ 2502.5	/	/																																																																																																		
Middle	21100/ 2535	21100/ 2535	21100/ 2535	21100/ 2535	/	/																																																																																																		
High	21350/ 2560	21375/ 2562.5	21400/ 2565	21425/ 2567.5	/	/																																																																																																		
Band17	Channel Bandwidth																																																																																																							
	20MHz	15MHz	10MHz	5MHz	3MHz	1.4MHz																																																																																																		
Low	/	/	23780/ 709.0	23775/ 706.5	/	/																																																																																																		
Middle	/	/	23790/ 710.0	21100/ 710.0	/	/																																																																																																		
High	/	/	23800/ 711.0	23825/ 713.5	/	/																																																																																																		
3	Specify the UE category and uplink modulations used	The UE Category is 4 and the uplink modulations used are QPSK and 16QAM.																																																																																																						
4	Descriptions of the LTE transmitter and antenna implementation & identify whether it is a standalone	The module has a primary antenna for all LTE&UMTS&GSM bands, a Wi-Fi Tx/Rx antenna.																																																																																																						





	<p>transmitter operating independently of other wireless transmitters in the device or sharing hardware components and/or antenna(s) with other transmitters etc.</p>																																							
5	<p>Identify the LTE Band Voice/data requirements in each operating mode and exposure condition with respect to head and body test configurations, antenna locations, handset flip-cover or slide positions, antenna diversity conditions, etc.</p>	<p>Mobile Hotspot Mode will be tested according to Section 9 of this report.</p>																																						
6	<p>Identify if Maximum Power Reduction (MPR) is optional or mandatory, i.e. built-in by design: only mandatory MPR may be considered during SAR testing, when the maximum output power is permanently limited by the MPR implemented within the UE; and only for the applicable RB (resource block) configurations specified in LTE standards b) A-MPR (additional MPR) must be disabled.</p>	<p>As per 3GPP TS 36.101 v11.0.0 (2012-03) <b>Table 6.2.3-1: Maximum Power Reduction (MPR) for Power Class 3</b></p> <table border="1" data-bbox="560 1205 1490 1525"> <thead> <tr> <th rowspan="2">Modulation</th> <th colspan="6">Channel bandwidth / Transmission bandwidth (<math>N_{RB}</math>)</th> <th rowspan="2">MPR (dB)</th> </tr> <tr> <th>1.4 MHz</th> <th>3.0 MHz</th> <th>5 MHz</th> <th>10 MHz</th> <th>15 MHz</th> <th>20 MHz</th> </tr> </thead> <tbody> <tr> <td>QPSK</td> <td>&gt; 5</td> <td>&gt; 4</td> <td>&gt; 8</td> <td>&gt; 12</td> <td>&gt; 16</td> <td>&gt; 18</td> <td>≤ 1</td> </tr> <tr> <td>16 QAM</td> <td>≤ 5</td> <td>≤ 4</td> <td>≤ 8</td> <td>≤ 12</td> <td>≤ 16</td> <td>≤ 18</td> <td>≤ 1</td> </tr> <tr> <td>16 QAM</td> <td>&gt; 5</td> <td>&gt; 4</td> <td>&gt; 8</td> <td>&gt; 12</td> <td>&gt; 16</td> <td>&gt; 18</td> <td>≤ 2</td> </tr> </tbody> </table> <p>A-MPR is supported by design, but disable for SAR testing.</p>	Modulation	Channel bandwidth / Transmission bandwidth ( $N_{RB}$ )						MPR (dB)	1.4 MHz	3.0 MHz	5 MHz	10 MHz	15 MHz	20 MHz	QPSK	> 5	> 4	> 8	> 12	> 16	> 18	≤ 1	16 QAM	≤ 5	≤ 4	≤ 8	≤ 12	≤ 16	≤ 18	≤ 1	16 QAM	> 5	> 4	> 8	> 12	> 16	> 18	≤ 2
Modulation	Channel bandwidth / Transmission bandwidth ( $N_{RB}$ )						MPR (dB)																																	
	1.4 MHz	3.0 MHz	5 MHz	10 MHz	15 MHz	20 MHz																																		
QPSK	> 5	> 4	> 8	> 12	> 16	> 18	≤ 1																																	
16 QAM	≤ 5	≤ 4	≤ 8	≤ 12	≤ 16	≤ 18	≤ 1																																	
16 QAM	> 5	> 4	> 8	> 12	> 16	> 18	≤ 2																																	
7	<p>Include the maximum average conducted output power measured on the required test channels for each channel bandwidth and UL modulation used in</p>	<p>This is included in the section 11 of this report.</p>																																						



	<p>each frequency band:</p> <p>a) with 1 RB allocated at the low, centred, high end of a channel</p> <p>b) using 50% RB allocation low, centered, high end within a channel</p> <p>c) using 100% RB allocation</p>																																																																
8	<p>Include the maximum average conducted output power measured for the other wireless mode and frequency bands</p>	<p>This is included in the section 13 of this report.</p>																																																															
10	<p>Identify the simultaneous transmission conditions for the voice and data configurations supported by all wireless modes, device configurations and frequency bands, for the head and body exposure conditions and device operating configurations (handset flip or cover positions, antenna diversity conditions etc.)</p>	<table border="1" data-bbox="612 920 1434 1368"> <thead> <tr> <th colspan="7">Simultaneous transmission conditions</th> </tr> <tr> <th colspan="2"></th> <th colspan="3">WWAN</th> <th colspan="2">WLAN</th> <th rowspan="2">Sum of WWAN&amp; WLAN</th> </tr> <tr> <th>#</th> <th>LTE Data</th> <th>GSM</th> <th>UMTS</th> <th>802.11 b/g/n</th> <th>BT</th> </tr> </thead> <tbody> <tr> <td>1</td> <td>x</td> <td></td> <td></td> <td>x</td> <td></td> <td>x</td> </tr> <tr> <td>2</td> <td></td> <td>x</td> <td></td> <td>x</td> <td></td> <td>x</td> </tr> <tr> <td>3</td> <td></td> <td></td> <td>x</td> <td>x</td> <td></td> <td>x</td> </tr> <tr> <td>4</td> <td>x</td> <td></td> <td></td> <td></td> <td>x</td> <td>x</td> </tr> <tr> <td>5</td> <td></td> <td>x</td> <td></td> <td></td> <td>x</td> <td>x</td> </tr> <tr> <td>6</td> <td></td> <td></td> <td>x</td> <td></td> <td>x</td> <td>x</td> </tr> </tbody> </table>	Simultaneous transmission conditions									WWAN			WLAN		Sum of WWAN& WLAN	#	LTE Data	GSM	UMTS	802.11 b/g/n	BT	1	x			x		x	2		x		x		x	3			x	x		x	4	x				x	x	5		x			x	x	6			x		x	x
Simultaneous transmission conditions																																																																	
		WWAN			WLAN		Sum of WWAN& WLAN																																																										
#	LTE Data	GSM	UMTS	802.11 b/g/n	BT																																																												
1	x			x		x																																																											
2		x		x		x																																																											
3			x	x		x																																																											
4	x				x	x																																																											
5		x			x	x																																																											
6			x		x	x																																																											
11	<p>When power reduction is applied to certain wireless modes to satisfy SAR compliance for simultaneous transmission conditions, other equipment certification or operating requirements, include the maximum average conducted output power measured in each power reduction mode applicable to the</p>	<p>Not applicable.</p>																																																															



simultaneous voice/data transmission configurations for such wireless configurations and frequency bands; and also include details of the power reduction implementation and measurement setup



## 11.SAR EVALUATION PROCEDURES&POWER MEASUREMENT FOR LTE

### “1. QPSK with 1 RB allocation

Start with the largest channel bandwidth and measure SAR for QPSK with 1 RB allocation, using the RB offset and *required test channel* combination with the highest maximum output power for RB offsets at the upper edge, middle and lower edge of each *required test channel*. When the *reported SAR* is  $\leq 0.8$  W/kg, testing of the remaining RB offset configurations and *required test channels* is not required for 1 RB allocation; otherwise, SAR is required for the remaining *required test channels* and only for the RB offset configuration with the highest output power for that channel.6 When the *reported SAR* of a *required test channel* is  $> 1.45$  W/kg, SAR is required for all three RB offset configurations for that *required test channel*.

### 2. QPSK with 50% RB allocation

The procedures required for 1 RB allocation in 1. are applied to measure the SAR for QPSK with 50% RB allocation.

### 3. QPSK with 100% RB allocation

For QPSK with 100% RB allocation, SAR is not required when the highest maximum output power for 100 % RB allocation is less than the highest maximum output power in 50% and 1 RB

allocations and the highest *reported SAR* for 1 RB and 50% RB allocation in 1. and 2. are  $\leq 0.8$

W/kg. Otherwise, SAR is measured for the highest output power channel and if the *reported SAR*

is  $> 1.45$  W/kg, the remaining *required test channels* must also be tested.

### Higher order modulations

For each modulation besides QPSK; e.g., 16-QAM, 64-QAM, apply the QPSK procedures in sections 1. and 2.and 3. to determine the QAM configurations that may need SAR measurement.

For each configuration identified as required for testing, SAR is required only when the highest maximum output power for the configuration in the higher order modulation is  $> \frac{1}{2}$  dB higher than the same configuration in QPSK or when the *reported SAR* for the QPSK configuration is  $> 1.45$  W/kg.

### 4. Other channel bandwidth standalone SAR test requirements

For the other channel bandwidths used by the device in a frequency band, apply all the procedures required for the largest channel bandwidth in section 5.2 to determine the channels and RB configurations that need SAR testing and only measure SAR when the highest maximum output power of a configuration requiring testing in the smaller channel bandwidth is  $> \frac{1}{2}$  dB higher than the equivalent channel configurations in the largest channel bandwidth configuration or the



reported SAR of a configuration for the largest channel bandwidth is  $> 1.45$  W/kg.

The equivalent channel configuration for the RB allocation, RB offset and modulation etc. Is

determined for the smaller channel bandwidth according to the same number of RB allocated in

The largest channel bandwidth. For example, 50 RB in 10 MHz channel bandwidth does not apply to 5MHz channel bandwidth; therefore, this cannot be tested in the smaller channel bandwidth.

However, 50% RB allocation in 10 MHz channel bandwidth is equivalent to 100% RB allocation in 5 MHz channel bandwidth; therefore, these are the equivalent configurations to be compared to determine the specific channel and configuration in the smaller channel bandwidth that need SAR testing.”



**LTE BAND 4**

Band Width	Channel	Freq.(MHZ)	Modulation	RB Configuration		Average Power (dBm)
				RB Size	RB Offset	
20MHz	L 20050	1720.0	QPSK	1	0	21.42
				1	49	21.30
				1	99	21.13
				50	0	20.46
				50	25	20.35
				50	49	20.23
			16-QAM	100	0	20.30
				1	0	21.05
				1	49	21.31
				1	99	20.84
				50	0	20.45
				50	25	20.51
	M 20175	1732.5	QPSK	50	49	20.50
				100	0	19.22
				1	0	21.12
				1	49	21.23
				1	99	20.48
				50	0	20.28
			16-QAM	50	25	20.15
				50	49	20.11
				100	0	20.15
				1	0	20.37
				1	49	20.46
				1	99	20.21
	H 20300	1745.0	QPSK	50	0	19.54
				50	25	19.59
				50	49	19.55
				100	0	19.09
				1	0	21.16
				1	49	21.21
16-QAM			1	99	21.18	
			50	0	20.17	
			50	25	20.16	
			50	49	20.10	
			100	0	20.20	
			1	0	20.60	
			1	49	20.57	
			1	99	20.05	
			50	0	19.56	
			50	25	19.55	
			50	49	19.51	
			100	0	19.24	



**LTE BAND 4 (Continue)**

Band Width	Channel	Freq.(MHZ)	Modulation	RB Configuration		Average Power (dBm)
				RB Size	RB Offset	
15MHz	L 20025	1717.5	QPSK	1	0	21.52
				1	37	21.31
				1	74	21.28
				36	0	20.39
				36	18	20.21
				36	35	20.11
			16-QAM	75	0	20.25
				1	0	20.50
				1	37	20.16
				1	74	20.25
				36	0	19.58
				36	18	19.61
	M 20175	1732.5	QPSK	36	35	19.59
				75	0	19.17
				1	0	21.28
				1	37	21.13
				1	74	21.25
				36	0	20.17
			16-QAM	36	18	20.15
				36	35	20.08
				75	0	20.06
				1	0	20.27
				1	37	20.10
				1	74	20.22
	H 20325	1747.5	QPSK	36	0	19.54
				36	18	19.53
				36	35	19.48
				75	0	19.05
				1	0	21.39
				1	37	21.12
16-QAM			1	74	21.09	
			36	0	20.26	
			36	18	20.19	
			36	35	20.18	
			75	0	20.13	
			1	0	20.33	
				1	37	20.08
				1	74	20.10
				36	0	19.56
				36	18	19.59
				36	35	19.58
				75	0	19.15



**LTE BAND 4 (Continue)**

Band Width	Channel	Freq.(MHZ)	Modulation	RB Configuration		Average Power (dBm)
				RB Size	RB Offset	
10MHz	L 20000	1715.0	QPSK	1	0	21.88
				1	24	21.62
				1	49	21.43
				25	0	20.72
				25	12	20.61
				25	24	20.51
			16-QAM	50	0	20.62
				1	0	21.60
				1	24	21.06
				1	49	21.16
				25	0	20.85
				25	12	20.75
				25	24	20.70
				50	0	19.65
				M 20175	1732.5	QPSK
	1	24	20.70			
	1	49	20.79			
	25	0	20.08			
	25	12	20.04			
	25	24	19.86			
	16-QAM	50	0			19.95
		1	0			20.29
		1	24			20.17
		1	49			19.93
		25	0			19.52
		25	12			19.48
		25	24			19.49
		50	0			18.95
		H 20350	1750.0			QPSK
	1			24	20.31	
1	49			20.32		
25	0			19.52		
25	12			19.42		
25	24			19.33		
16-QAM	50			0	19.42	
	1			0	19.82	
	1			24	19.23	
	1			49	19.23	
	25			0	19.08	
	25			12	19.05	
	25			24	19.12	
	50			0	18.43	





**LTE BAND 4 (Continue)**

Band Width	Channel	Freq.(MHZ)	Modulation	RB Configuration		Average Power (dBm)
				RB Size	RB Offset	
5MHz	L 19975	1712.5	QPSK	1	0	21.53
				1	12	21.40
				1	24	21.35
				12	0	20.44
				12	6	20.31
				12	11	20.24
			16-QAM	25	0	20.34
				1	0	20.92
				1	12	20.85
				1	24	20.77
				12	0	20.51
				12	6	20.42
				12	11	20.34
				25	0	19.37
				M 20175	1732.5	QPSK
	1	12	20.34			
	1	24	20.11			
	12	0	19.75			
	12	6	19.51			
	12	11	19.44			
	16-QAM	25	0			19.56
		1	0			19.64
		1	12			19.47
		1	24			19.34
		12	0			19.08
		12	6			19.12
		12	11			19.11
		25	0			18.45
		H 20375	1752.5			QPSK
	1			12	19.80	
1	24			19.79		
12	0			18.85		
12	6			18.81		
12	11			18.81		
16-QAM	25			0	18.84	
	1			0	18.87	
	1			12	18.87	
	1			24	18.91	
	12			0	18.51	
	12			6	18.45	
	12			11	18.35	
	25			0	18.06	



**LTE BAND 4 (Continue)**

Band Width	Channel	Freq.(MHZ)	Modulation	RB Configuration		Average Power (dBm)
				RB Size	RB Offset	
3MHz	L 19965	1711.5	QPSK	1	0	21.62
				1	7	21.35
				1	14	21.41
				8	0	20.80
				8	4	20.78
				8	7	20.75
			16-QAM	15	0	20.48
				1	0	20.56
				1	7	20.39
				1	14	20.43
				8	0	20.12
				8	4	20.05
				8	7	20.16
				15	0	19.37
				M 20175	1732.5	QPSK
	1	7	20.55			
	1	14	20.57			
	8	0	20.11			
	8	4	20.12			
	8	7	20.16			
	16-QAM	15	0			19.69
		1	0			19.68
		1	7			19.63
		1	14			19.74
		8	0			19.25
		8	4			19.24
		8	7			19.21
		15	0			18.46
		H 20384	1753.4			QPSK
	1			7	19.49	
1	14			19.60		
8	0			19.25		
8	4			19.21		
8	7			19.18		
16-QAM	15			0	18.81	
	1			0	18.76	
	1			7	18.65	
	1			14	18.71	
	8			0	18.25	
	8			4	18.35	
	8			7	18.30	
	15			0	17.78	



**LTE BAND 4 (Continue)**

Band Width	Channel	Freq.(MHZ)	Modulation	RB Configuration		Average Power (dBm)
				RB Size	RB Offset	
1.4MHz	L 19957	1710.7	QPSK	1	0	21.90
				1	2	21.94
				1	5	21.91
				3	0	21.91
				3	1	21.88
				3	2	21.89
			16-QAM	6	0	20.92
				1	0	21.15
				1	2	21.22
				1	5	21.03
				3	0	20.85
				3	1	20.75
	M 20175	1732.5	QPSK	3	2	20.76
				6	0	19.98
				1	0	21.08
				1	2	20.98
				1	5	21.12
				3	0	21.17
			16-QAM	3	1	21.18
				3	2	21.09
				6	0	20.12
				1	0	20.22
				1	2	20.15
				1	5	20.18
	H 20392	1754.2	QPSK	3	0	20.01
				3	2	20.06
				3	5	19.95
				6	0	19.23
				1	0	20.18
				1	2	20.25
16-QAM			1	5	20.17	
			3	0	20.30	
			3	1	20.25	
			3	2	20.28	
			6	0	19.37	
			1	0	18.79	
16-QAM	1	2	18.82			
	1	5	18.80			
	3	0	18.72			
	3	1	18.72			
	3	2	18.70			
	6	0	18.44			



**LTE BAND 7**

Band Width	Channel	Freq.(MHZ)	Modulation	RB Configuration		Average Power (dBm)
				RB Size	RB Offset	
20MHz	L 20850	2510	QPSK	1	0	20.92
				1	49	20.94
				1	99	20.85
				50	0	20.70
				50	25	20.81
				50	49	20.86
			16-QAM	100	0	20.27
				1	0	20.26
				1	49	21.58
				1	99	20.26
				50	0	20.08
				50	25	20.12
	M 21100	2535	QPSK	50	49	20.05
				100	0	19.78
				1	0	20.32
				1	49	20.61
				1	99	20.89
				50	0	20.53
			16-QAM	50	25	20.40
				50	49	20.32
				100	0	20.41
				1	0	19.73
				1	49	20.08
				1	99	20.17
	H 21350	2560	QPSK	50	0	20.01
				50	25	19.98
				50	49	19.94
100				0	19.54	
1				0	20.88	
1				49	20.24	
16-QAM			1	99	19.62	
			50	0	20.49	
			50	25	20.61	
			50	49	19.49	
			100	0	20.35	
			1	0	21.45	
16-QAM	1	49	19.70			
	1	99	18.07			
	50	0	19.15			
	50	25	19.20			
	50	49	19.21			
	100	0	19.53			



**LTE BAND 7 (Continue)**

Band Width	Channel	Freq.(MHZ)	Modulation	RB Configuration		Average Power (dBm)
				RB Size	RB Offset	
15MHz	L 20825	2507.5	QPSK	1	0	21.57
				1	37	21.97
				1	74	21.78
				36	0	20.89
				36	18	20.85
				36	35	20.93
			16-QAM	75	0	20.89
				1	0	21.21
				1	37	21.14
				1	74	20.78
				36	0	20.51
				36	18	20.42
	M 21100	2535	QPSK	36	35	20.44
				75	0	20.02
				1	0	20.48
				1	37	20.60
				1	74	21.61
				36	0	20.23
			16-QAM	36	18	20.43
				36	35	20.65
				75	0	20.67
				1	0	19.94
				1	37	20.18
				1	74	21.02
	H 21375	2562.5	QPSK	36	0	20.54
				36	18	20.48
				36	35	20.39
75				0	19.56	
1				0	21.03	
1				37	20.45	
16-QAM			1	74	20.41	
			36	0	20.26	
			36	18	20.05	
			36	35	19.82	
			75	0	20.06	
			1	0	20.96	
				1	37	19.22
				1	74	19.51
				36	0	19.42
				36	18	19.41
				36	35	19.35
				75	0	19.31



**LTE BAND 7 (Continue)**

Band Width	Channel	Freq.(MHZ)	Modulation	RB Configuration		Average Power (dBm)
				RB Size	RB Offset	
10MHz	L 20800	2505	QPSK	1	0	21.41
				1	24	21.71
				1	49	21.78
				25	0	20.87
				25	12	20.85
				25	24	20.83
			16-QAM	50	0	20.82
				1	0	21.07
				1	24	20.88
				1	49	21.19
				25	0	20.51
				25	12	20.44
	M 21100	2535	QPSK	25	24	20.46
				50	0	19.92
				1	0	20.58
				1	24	20.54
				1	49	21.44
				25	0	20.30
			16-QAM	25	12	20.43
				25	24	20.63
				50	0	20.52
				1	0	20.25
				1	24	20.20
				1	49	20.98
	H 21400	2565	QPSK	25	0	20.51
				25	12	20.49
				25	24	20.42
				50	0	19.64
				1	0	21.07
				1	24	19.75
16-QAM			1	49	20.08	
			25	0	20.20	
			25	12	19.76	
			25	24	19.75	
			50	0	19.77	
			1	0	20.02	
16-QAM	1	24	19.80			
	1	49	19.82			
	25	0	19.31			
	25	12	19.40			
	25	24	19.35			
	50	0	19.09			



**LTE BAND 7 (Continue)**

Band Width	Channel	Freq.(MHZ)	Modulation	RB Configuration		Average Power (dBm)
				RB Size	RB Offset	
5MHz	L 20775	2502.5	QPSK	1	0	21.77
				1	12	21.75
				1	24	21.73
				12	0	20.80
				12	6	20.71
				12	11	20.68
			16-QAM	25	0	20.75
				1	0	20.99
				1	12	21.35
				1	24	19.81
				12	0	19.75
				12	6	19.80
				12	11	19.82
				25	0	19.72
				M 21100	2535	QPSK
	1	12	20.46			
	1	24	20.95			
	12	0	20.27			
	12	6	20.40			
	12	11	20.56			
	16-QAM	25	0			20.41
		1	0			19.82
		1	12			19.81
		1	24			19.95
		12	0			19.85
		12	6			19.81
		12	11			19.75
		25	0			19.62
		H 21425	2567.5			QPSK
	1			12	20.47	
1	24			20.60		
12	0			19.88		
12	6			19.89		
12	11			20.06		
16-QAM	25			0	20.08	
	1			0	20.38	
	1			12	20.03	
	1			24	20.10	
	12			0	19.59	
	12			6	19.61	
	12			11	19.54	
	25			0	19.23	



**LTE BAND 17 (Continue)**

Band Width	Channel	Freq.(MHZ)	Modulation	RB Configuration		Average Power (dBm)
				RB Size	RB Offset	
10MHz	L 23780	709.0	QPSK	1	0	23.09
				1	24	22.93
				1	49	23.05
				25	0	21.97
				25	12	21.80
				25	24	21.88
			16-QAM	50	0	21.84
				1	0	22.17
				1	24	21.98
				1	49	22.03
				25	0	21.56
				25	12	21.50
	M 23790	710.0	QPSK	25	24	21.61
				50	0	20.70
				1	0	23.22
				1	24	22.89
				1	49	22.91
				25	0	21.98
			16-QAM	25	12	21.85
				25	24	21.86
				50	0	21.88
				1	0	22.45
				1	24	22.29
				1	49	22.22
	H 23800	711.0	QPSK	25	0	21.68
				25	12	21.70
				25	24	21.62
				50	0	20.83
				1	0	23.00
				1	24	22.86
16-QAM			1	49	22.72	
			25	0	21.98	
			25	12	21.88	
			25	24	21.89	
			50	0	21.87	
			1	0	21.20	
16-QAM	1	24	21.29			
	1	49	20.94			
	25	0	20.92			
	25	12	20.89			
	25	24	20.88			
	50	0	20.86			





**LTE BAND 17 (Continue)**

Band Width	Channel	Freq.(MHZ)	Modulation	RB Configuration		Average Power (dBm)
				RB Size	RB Offset	
5MHz	L 23755	706.5	QPSK	1	0	23.08
				1	12	23.12
				1	24	22.95
				12	0	21.85
				12	6	21.88
				12	11	21.84
			16-QAM	25	0	21.87
				1	0	22.66
				1	12	22.97
				1	24	23.00
				12	0	21.61
				12	6	21.59
				12	11	21.64
				25	0	20.77
				M 23790	710.0	QPSK
	1	12	22.74			
	1	24	22.69			
	12	0	21.85			
	12	6	21.80			
	12	11	21.84			
	16-QAM	25	0			21.82
		1	0			21.40
		1	12			21.38
		1	24			21.53
		12	0			21.12
		12	6			21.08
		12	11			21.15
		25	0			20.78
		H 23825	713.5			QPSK
	1			12	22.94	
1	24			22.70		
12	0			21.89		
12	6			21.75		
12	11			21.76		
16-QAM	25			0	21.86	
	1			0	22.16	
	1			12	22.22	
	1			24	22.07	
	12			0	21.55	
	12			6	21.49	
	12			11	21.53	
	25			0	20.75	



## 9. MEASUREMENT OF CONDUCTED OUTPUT POWER

### 1. WCDMA mode conducted output power values

Item	band	WCDMA 850			WCDMA 1900		
	ARFCN	4132	4175	4233	9262	9400	9538
	subtest	dBm			dBm		
5.2(WCDMA)	non	24.09	23.58	24.27	23.97	23.95	24.10
HSDPA	1	24.08	23.42	24.13	23.99	23.92	24.06
	2	24.06	23.41	24.14	23.94	23.91	24.04
	3	23.57	22.92	23.62	23.46	23.43	23.55
	4	23.56	22.93	23.61	23.48	23.42	23.54
HSUPA	1	24.05	23.59	24.18	23.97	23.91	24.08
	2	22.04	21.58	22.17	21.96	21.90	22.07
	3	23.03	22.57	23.16	22.97	22.92	23.09
	4	22.05	21.59	22.18	21.98	21.91	22.08
	5	24.04	23.58	24.19	23.96	23.90	24.07
HSPA+	1	23.94	23.56	24.04	23.94	23.84	24.03
Note:	The Conducted RF Output Power test of WCDMA /HSDPA /HSUPA/HSPA+ was tested by power meter.						

### 2. GSM Mode

Band	Channel	Frequency (MHz)	Output Power(dBm)
GSM 850	128	824.2	32.34
	190	836.6	32.47
	251	848.8	32.57
PCS 1900	512	1850.2	29.40
	661	1880.0	29.44
	810	1909.8	29.88



3. GPRS Mode Conducted peak output power

Band	Channel	Frequency (MHz)	Output Power(dBm)			
			Slot 1	Slot 2	Slot 3	Slot 4
GSM 850	128	824.2	30.44	29.09	28.04	27.03
	190	836.6	30.57	29.22	28.17	27.16
	251	848.8	30.62	29.27	28.22	27.21
PCS 1900	512	1850.2	26.67	25.32	24.27	23.26
	661	1880.0	26.75	25.40	24.35	23.34
	810	1909.8	27.10	25.75	24.70	23.69

GPRS Time-based Average Power

Band	Channel	Frequency (MHz)	Output Power(dBm)			
			Slot 1	Slot 2	Slot 3	Slot 4
GSM 850	128	824.2	21.41	23.07	23.78	24.02
	190	836.6	21.54	23.20	23.91	24.15
	251	848.8	21.59	23.25	23.96	24.20
PCS 1900	512	1850.2	17.64	19.30	20.01	20.25
	661	1880.0	17.72	19.38	20.09	20.33
	810	1909.8	18.07	19.73	20.44	20.68

Timeslot consignations:

No. Of Slots	Slot 1	Slot 2	Slot 3	Slot 4
Slot Consignation	1Up4Down	2Up2Down	3Up2Down	4Up1Down
Duty Cycle	1:8	1:4	1:2.67	1:2
Correct Factor	-9.03dB	-6.02dB	-4.26dB	-3.01dB



3. EDGE Mode Conducted peak output power

Band	Channel	Frequency (MHz)	Output Power(dBm)			
			Slot 1	Slot 2	Slot 3	Slot 4
GSM 850	128	824.2	26.69	25.67	24.66	23.68
	190	836.6	26.70	25.68	24.67	23.69
	251	848.8	26.68	25.66	24.65	23.67
PCS 1900	512	1850.2	26.05	25.03	24.02	23.04
	661	1880.0	25.97	24.95	23.94	22.96
	810	1909.8	26.26	25.24	24.23	23.25

EDGE Time-based Average Power

Band	Channel	Frequency (MHz)	Output Power(dBm)			
			Slot 1	Slot 2	Slot 3	Slot 4
GSM 850	128	824.2	17.66	19.65	20.40	20.67
	190	836.6	17.67	19.66	20.41	20.68
	251	848.8	17.65	19.64	20.39	20.66
PCS 1900	512	1850.2	17.02	19.01	19.76	20.03
	661	1880.0	16.94	18.93	19.68	19.95
	810	1909.8	17.23	19.22	19.97	20.24

5. WiFi Average output power

Band	Channel	Frequency (MHz)	Output Power(dBm)		
			802.11b (DSSS)	802.11g (OFDM)	802.11n20 (OFDM)
WiFi	1	2412	12.49	9.93	8.54
	6	2437	12.03	9.47	8.47
	11	2462	12.38	9.58	8.58



## 6. BT+EDR 2.1 peak output power

Band	Channel	Frequency (MHz)	Output Power(dBm)		
			GFSK	$\pi/4$ -DQPSK	8-DPSK
BT	0	2402	10.36	9.96	10.47
	39	2441	11.09	10.65	11.23
	78	2480	9.57	9.41	10.04

Band	Channel	Frequency (MHz)	Output Power(dBm)
			GFSK
BT	0	2402	0.89
	19	2441	1.15
	39	2480	0.57



### 10. TEST RESULTS LIST

Summary of Measurement Results (GSM 850MHz Band)

Temperature: 21.0~23.8°C, humidity: 54~60%.

Phantom Configurations		Device Test Positions	Device Test channel	SAR(W/Kg), 1g Peak	Scaling Factor	Scaled SAR (W/Kg), 1g	
Right Side Of Head		Cheek/Touch	251	0.238	1.104	0.263	
		Ear/Tilt		0.132		0.146	
Left Side Of Head		Cheek/Touch		0.193		0.213	
		Ear/Tilt		0.132		0.146	
Body (10mm Separation)	GSM	Back upward		251	0.428	1.069	0.473
		Front upward			0.257		0.284
	GPRS	Back upward			0.463		0.495
		Front upward			0.293		0.313
		Edge A	0.077		0.082		
		Edge B	0.166		0.177		
Edge D	0.341	0.365					



Summary of Measurement Results (GSM 1900MHz Band)

Temperature: 21.0~23.8°C, humidity: 54~60%.

Phantom Configurations		Device Test Positions	Device Test channel	SAR(W/Kg), 1g Peak	Scaling Factor	Scaled SAR (W/Kg), 1g
Right Side Of Head		Cheek/Touch	810	0.087	1.028	0.089
		Ear/Tilt		0.030		0.031
Left Side Of Head		Cheek/Touch		0.111		0.114
		Ear/Tilt		0.028		0.029
Body (10mm Separation)	GSM	Back upward		0.249		0.256
		Front upward		0.205		0.211
	GPRS	Back upward	810	0.233	0.250	
		Front upward		0.185	0.199	
		Edge A		0.239	0.257	
		Edge B		0.077	0.083	
Edge D	0.054	0.058				
				1.074		

Note:

- GPRS/EDGE test Scenario (Based on the Max. Time-based Average Power)

Band	Channel	Slots	Power level	Duty Cycle
GPRS850	251	4	5	1:2
GPRS1900	810	4	0	1:2



Summary of Measurement Results (WCDMA 850MHz Band)

Temperature: 21.0~23.8°C, humidity: 54~60%.					
Phantom Configurations	Device Test Positions	Device Test channel	SAR(W/Kg), 1g Peak	Scaling Factor	Scaled SAR (W/Kg), 1g
Right Side Of Head	Cheek/Touch	4233	0.188	1.054	0.198
	Ear/Tilt		0.114		0.120
Left Side Of Head	Cheek/Touch		0.173		0.182
	Ear/Tilt		0.117		0.123
Body (10mm Separation)	Back upward		0.463		0.488
	Front upward		0.270		0.285
	Edge A		0.086		0.091
	Edge B		0.161		0.170
	Edge D	0.194	0.204		

Summary of Measurement Results (WCDMA 1900MHz Band)

Temperature: 21.0~23.8°C, humidity: 54~60%.					
Phantom Configurations	Device Test Positions	Device Test channel	SAR(W/Kg), 1g Peak	Scaling Factor	Scaled SAR (W/Kg), 1g
Right Side Of Head	Cheek/Touch	9538	0.467	1.096	<b>0.512</b>
	Ear/Tilt		0.295		0.314
Left Side Of Head	Cheek/Touch		0.403		0.429
	Ear/Tilt		0.273		0.290
Body (10mm Separation)	Back upward		0.596		0.653
	Front upward		0.664		<b>0.728</b>
	Edge A		0.623		0.683
	Edge B		0.214		0.235
	Edge D	0.119	0.130		





Notes:

1. When the 1-g SAR for the mid-band channel or the channel with the highest output power satisfy the following conditions, testing of the other channels in the band is not required. (Per KDB 447498 D01 General RF Exposure Guidance v05r02)
  - ≤ 0.8 W/kg and transmission band ≤ 100 MHz
  - ≤ 0.6 W/kg and, 100 MHz < transmission bandwidth ≤ 200 MHz
  - ≤ 0.4 W/kg and transmission band > 200 MHz
2. The WCDMA mode is test with 12.2kbps RMC and TPC set to all "1", if maximum SAR for 12.2kbps RMC is ≤ 75% of the SAR limit (i.e. 1.2W/Kg 1g) and maximum average output of each RF channel with HSDPA/HSUPA active is less than 1/4 dB Middle than that measured without HSDPA/HSUPA using 12.2kbps RMC, according to KDB 941225D01v02, SAR is not required for this handset with HSPA capabilities.
3. Per FCC KDB Publication 447498 D01v05, if the reported (scaled) SAR measured at the middle channel or highest output power channel for each test configuration is ≤ 0.8 W/kg then testing at the other channels is not required for such test configuration(s). When the maximum output power variation across the required test channels is > ½ dB, instead of the middle channel, the highest output power channel was used.
4. The WCDMA mode is test with 12.2kbps RMC and TPC set to all "1", if maximum SAR for 12.2kbps RMC is ≤ 75% of the SAR limit (i.e. 1.2W/Kg 1g) and maximum average output of each RF channel with HSDPA/HSUPA active is less than 1/4 dB higher than that measured without HSDPA/HSUPA using 12.2kbps RMC, according to KDB 941225D01v02, SAR is not required for this handset with HSPA capabilities. This module supports 3GPP release R7 HSPA+ using QPSK only without 16QAM in the uplink. So PBA is not required for HSPA+.



Summary of Measurement Results (WLAN 802.11b Band)

Temperature: 21.0~23.8°C, humidity: 54~60%.

Phantom Configurations	Device Test Positions	Device Test channel	SAR(W/Kg), 1g Peak	Duty Cycle	Scaling Factor (Duty Cycle)	Scaling Factor (Power)	Scaled SAR (W/Kg), 1g
Right Side Of Head	Cheek/Touch	1	0.189	99%	1.010	1.002	0.191
	Ear/Tilt		0.187				0.189
Left Side Of Head	Cheek/Touch		0.341				0.345
	Ear/Tilt		0.222				0.225

Summary of Measurement Results (Bluetooth)

Temperature: 21.0~23.8°C, humidity: 54~60%.

Phantom Configurations	Device Test Positions	Device Test channel	SAR(W/Kg), 1g Peak	Scaling Factor	Scaled SAR (W/Kg), 1g
Right Side Of Head	Cheek/Touch	39 8-DPSK	0.073	1.064	0.078
	Ear/Tilt		0.089		0.095
Left Side Of Head	Cheek/Touch		0.046		0.049
	Ear/Tilt		0.082		0.087



Notes:

1. SAR is measured for 2.4 GHz 802.11b DSSS using either the fixed test position or, when applicable, the initial test position procedure. SAR test reduction is determined according to the following:
  - 1) When the reported SAR of the highest measured maximum output power channel for the exposure configuration is  $\leq 0.8$  W/kg, no further SAR testing is required for 802.11b DSSS in that exposure configuration.
  - 2) When the reported SAR is  $> 0.8$  W/kg, SAR is required for that position using the next highest measured output power channel. When any reported SAR is  $> 1.2$  W/kg, SAR is required for the third channel; i.e., all channels require testing.
2. 2.4 GHz 802.11 g/n OFDM are additionally evaluated for SAR if the highest reported SAR for 802.11b, adjusted by the ratio of the OFDM to DSSS specified maximum output power, is  $> 1.2$  W/kg. When SAR is required for OFDM modes in 2.4 GHz band, the Initial Test Configuration Procedures should be followed.
3. For held-to-ear and hotspot operations, the initial test position procedures were applied. The test position with the highest extrapolated peak SAR will be used as the initial test position. When reported SAR for the initial test position is  $\leq 0.4$  W/kg, no additional testing for the remaining test positions was required. Otherwise, SAR is evaluated at the subsequent highest peak SAR positions until the reported SAR result is  $\leq 0.8$  W/kg or all test positions are measured.
4. Justification for test configurations for WLAN per KDB Publication 248227 D01DR02-41929 for 2.4 GHz WIFI single transmission chain operations, the highest measured maximum output power channel for DSSS was selected for SAR measurement. SAR for OFDM modes (2.4 GHz 802.11g/n) was not required due to the maximum allowed powers and the highest reported DSSS SAR. See Section 8.6.5 for more information.



Summary of Measurement Results (LTE Band 4 bandwidth 20MHz with QPSK 1RB)

Temperature: 21.0~23.8°C, humidity: 50~60%. Power Drift limit:-5%~+5% SAR Limit: 1.6W/Kg averaged over 1gram, Spatial Peak						
Phantom Configurations	Test Mode	Device Test Positions	Device Test channel	SAR (W/Kg)	Scaling Factor	Scaled SAR
Body (10mm Separation)	No.1	Back upward	20050	0.768	1.019	0.783
		Front upward	20050	1.038	1.019	1.058
			20175	1.046	1.064	1.113
			20300	1.054	1.069	1.127
		Edge A	20050	1.031	1.019	1.051
			20175	1.060	1.064	1.128
			20300	<b>1.061</b>	1.069	<b>1.134</b>
		Edge B	20050	0.420	1.019	0.428
		Edge D	20050	0.263	1.019	0.268

Summary of Measurement Results (LTE Band 4 bandwidth 20MHz with QPSK 50RB)

Temperature: 21.0~23.8°C, humidity: 50~60%. Power Drift limit:-5%~+5% SAR Limit: 1.6W/Kg averaged over 1gram, Spatial Peak						
Phantom Configurations	Test Mode	Device Test Positions	Device Test channel	SAR (W/Kg)	Scaling Factor	Scaled SAR
Body (10mm Separation)	No.2	Back upward	20175	0.711	1.005	0.715
		Front upward	20175	0.757	1.005	0.761
		Edge A	20050	0.853	1.009	0.861
			20175	0.836	1.005	0.840
			20300	0.831	1.079	0.897
		Edge B	20175	0.323	1.005	0.325
		Edge D	20175	0.226	1.005	0.227



Summary of Measurement Results (LTE Band 4 bandwidth 20MHz with QPSK 100RB)

Temperature: 21.0~23.8°C, humidity: 50~60%.						
Power Drift limit:-5%~+5% SAR Limit: 1.6W/Kg averaged over 1gram, Spatial Peak						
Phantom Configurations	Test Mode	Device Test Positions	Device Test channel	SAR (W/Kg)	Scaling Factor	Scaled SAR
Body (10mm Separation)	No.3	Edge A	20175	0.775	1.030	0.798

Additional LTE test requirement for 16QAM

Not required.

Additional LTE test requirement for other bandwidth

Not required.

Summary of Measurement Results (LTE Band 7 bandwidth 20MHz with QPSK 1RB)

Temperature: 21.0~23.8°C, humidity: 50~60%.						
Power Drift limit:-5%~+5% SAR Limit: 1.6W/Kg averaged over 1gram, Spatial Peak						
Phantom Configurations	Test Mode	Device Test Positions	Device Test channel	SAR (W/Kg)	Scaling Factor	Scaled SAR
Body (10mm Separation)	No.4	Back upward	20850	0.635	1.014	0.644
		Front upward	20850	0.646	1.014	0.655
		Edge A	20850	0.975	1.014	0.989
			21100	0.824	1.026	0.845
			21350	0.956	1.028	0.983
		Edge B	20850	0.113	1.014	0.115
		Edge D	20850	0.152	1.014	0.154



Summary of Measurement Results (LTE Band 7 bandwidth 20MHz with QPSK 50RB)

Temperature: 21.0~23.8°C, humidity: 50~60%. Power Drift limit:-5%~+5% SAR Limit: 1.6W/Kg averaged over 1gram, Spatial Peak						
Phantom Configurations	Test Mode	Device Test Positions	Device Test channel	SAR (W/Kg)	Scaling Factor	Scaled SAR
Body (10mm Separation)	No.5	Back upward	21350	0.668	1.033	0.690
		Front upward	21350	0.460	1.033	0.475
		Edge A	20850	0.969	1.094	1.060
			21100	1.001	1.114	1.115
			21350	<b>1.075</b>	1.033	1.110
		Edge B	21350	0.145	1.033	0.150
		Edge D	21350	0.145	1.033	0.150

Summary of Measurement Results (LTE Band 7 bandwidth 20MHz with QPSK 100RB)

Temperature: 21.0~23.8°C, humidity: 50~60%. Power Drift limit:-5%~+5% SAR Limit: 1.6W/Kg averaged over 1gram, Spatial Peak						
Phantom Configurations	Test Mode	Device Test Positions	Device Test channel	SAR (W/Kg)	Scaling Factor	Scaled SAR
Body (10mm Separation)	No.6	Edge A	21350	0.741	1.021	0.756

Additional LTE test requirement for 16QAM

Not required.

Additional LTE test requirement for other bandwidth

Not required.



Summary of Measurement Results (LTE Band 17 bandwidth 10MHz with QPSK 1RB)

Temperature: 21.0~23.8°C, humidity: 50~60%. Power Drift limit:-5%~+5% SAR Limit: 1.6W/Kg averaged over 1gram, Spatial Peak						
Phantom Configurations	Test Mode	Device Test Positions	Device Test channel	SAR (W/Kg)	Scaling Factor	Scaled SAR
Body (10mm Separation)	No.7	Back upward	23790	0.185	1.067	0.197
		Front upward		0.106		0.113
		Edge A		0.057		0.061
		Edge B		0.116		0.124
		Edge D		0.141		0.150

Summary of Measurement Results (LTE Band 17 bandwidth 10MHz with QPSK 25RB)

Temperature: 21.0~23.8°C, humidity: 50~60%. Power Drift limit:-5%~+5% SAR Limit: 1.6W/Kg averaged over 1gram, Spatial Peak						
Phantom Configurations	Test Mode	Device Test Positions	Device Test channel	SAR (W/Kg)	Scaling Factor	Scaled SAR
Body (10mm Separation)	No.8	Back upward	23790	0.179	1.005	0.180
		Front upward		0.103		0.104
		Edge A		0.043		0.043
		Edge B		0.086		0.086
		Edge D		0.108		0.109

Additional LTE test requirement for 10MHz with QPSK 50RB

Not required.

Additional LTE test requirement for 16QAM

Not required.

Additional LTE test requirement for other bandwidth

Not required.

**Note :**

1. IEEE Std 1528-2013 require the middle channel to be tested first. This generally applies to wireless devices that are designed to operate in technologies with tight tolerances for maximum output power variations across channels in the band. When the maximum output power variation across the required test channels is  $> \frac{1}{2}$  dB, instead of the middle channel, the highest output power channel must be used.
2. Per KDB 447498, when the SAR procedures require multiple channels to be tested and the 1-g SAR for the highest output channel is less than 0.8 W/kg and peak SAR is less than 1.6W/kg, where the transmission band corresponding to all channels is  $\leq 100$  MHz, testing for the other channels is not required.
3. The WCDMA mode is test with 12.2kbps RMC and TPC set to all "1", if maximum SAR for 12.2kbps RMC is  $\leq 75\%$  of the SAR limit (i.e. 1.2W/Kg 1g) and maximum average output of each RF channel with HSDPA/HSUPA active is less than 1/4 dB higher than that measured without HSDPA/HSUPA using 12.2kbps RMC, according to KDB 941225D01v02, SAR is not required for this handset with HSPA capabilities. This module supports 3GPP release R7 HSPA+ using QPSK only without 16QAM in the uplink. So PBA is not required for HSPA+.
4. Refer to power measurement results and 941225D05v02 SAR Evaluation procedure, the test scenarios for each LTE band are as below:

**LTE test configuration for QPSK at largest bandwidth (1RB&50% RB&100%RB)**

LTE BAND	Scenario NO.	RB Size	RB offset	Channel	Freq.
4	1	1	49	M20175	1732.5
	2	50	49	M20175	1732.5
	3	100	0	M20175	1732.5
7	4	1	0	L20850	2510.0
	5	50	0	L20850	2510.0
	6	100	0	L20850	2510.0
17	7	1	0	M23790	710.0
	8	25	0	M23790	710.0

Additional LTE test requirement for 16QAM or other smaller bandwidth are based on test results of Scenario NO. 1 to 6, taking power measurement results into account.





5. Scaling Factor calculation

Band	Tune-up power tolerance(dBm)	SAR test channel Power (dBm)	Scaling Factor
GSM 850	PCL = 5, PWR =32.5+-0.5	32.57	1.104
GPRS 850	PCL = 5, PWR =27+-0.5(4 slots)	27.21	1.069
GSM 1900	PCL = 0, PWR =29.5+-0.5	29.88	1.028
GPRS1900	PCL = 0, PWR =23.5+-0.5(4 slots)	23.69	1.074
WCDMA 850	Max output power =23.5(+1/-2)	24.27	1.054
WCDMA 1900	Max output power =23.5(+1/-2)	24.10	1.096
LTE BAND4 (QPSK)	Max output power =21+-0.5(1RB)	21.42	1.019
		21.23	1.064
		21.21	1.069
	Max output power =20+-0.5(50RB)	20.46	1.009
		20.48	1.005
		20.17	1.079
	Max output power =20+-0.5(100RB)	20.37	1.030
LTE BAND7 (QPSK)	Max output power =20.5+-0.5(1RB)	20.94	1.014
		20.89	1.026
		20.88	1.028
	Max output power =20.5+-0.5(50RB)	20.86	1.033
		20.53	1.114
		20.61	1.094
	Max output power =20+-0.5(100RB)	20.41	1.021
LTE BAND17 (QPSK)	Max output power =23+-0.5(1RB)	23.22	1.067
	Max output power =21.5+-0.5(25RB)	21.98	1.005
802.11b	Max output power =12+-0.5	12.49	1.002
Bluetooth	Max output power =11+-0.5	11.23	1.064



## 11. REPEATED SAR MEASUREMENT

In accordance with published RF Exposure KDB procedure 865664 D01 SAR measurement 100 MHz to 6 GHz. These additional measurements are repeated after the completion of all measurements requiring the same head or body tissue-equivalent medium in a frequency band. The test device should be returned to ambient conditions (normal room temperature) with the battery fully charged before it is re-mounted on the device holder for the repeated measurement(s) to minimize any unexpected variations in the repeated results.

- 1) Repeated measurement is not required when the original highest measured SAR is  $< 0.80$  W/kg; steps 2) through 4) do not apply.
- 2) When the original highest measured SAR is  $\geq 0.80$  W/kg, repeat that measurement once.
- 3) Perform a second repeated measurement only if the ratio of largest to smallest SAR for the original and first repeated measurements is  $> 1.20$  or when the original or repeated measurement is  $\geq 1.45$  W/kg ( $\sim 10\%$  from the 1-g SAR limit).
- 4) Perform a third repeated measurement only if the original, first or second repeated measurement is  $\geq 1.5$  W/kg and the ratio of largest to smallest SAR for the original, first and second repeated measurements is  $> 1.20$ .

Band	Test Position	Test Channel	Meas.SAR(W/kg)		Largest to Smallest SAR Ratio
			Original	Repeated	
LTE Band4	Body	20300	1.061	1.058	1.003
LTE Band7	Body	21350	1.075	1.081	1.006

## 12. MULTIPLE TRANSMITTERS EVALUATION

The are three transmitters build in EUT, as following:



### Stand-alone SAR

#### Test distance: 5mm

Band	Highest power(mW) per tune up	1-g SAR test threshold	Test required?
WIFI(2.4G)	17.78	$\left[ \frac{\text{max. power of channel, including tune-up tolerance, mW}}{\text{min. test separation distance, mm}} \right] \cdot \sqrt{f(\text{GHz})} \leq 3.0 \text{ for 1-g SAR}$	Yes
BT	14.13		Yes

#### Test distance: 10mm

Band	Highest power(mW) per tune up	1-g SAR test threshold	Test required?
WIFI(2.4G)	17.78	$\left[ \frac{\text{max. power of channel, including tune-up tolerance, mW}}{\text{min. test separation distance, mm}} \right] \cdot \sqrt{f(\text{GHz})} \leq 3.0 \text{ for 1-g SAR}$	No
BT	14.13		No



The Head SAR test for BT is required.

The Body SAR test for BT is not required for highest power do not exceed the power threshold.

The Head SAR test for 802.11b (2.4GHz) is required

The Body SAR test for 802.11b (2.4GHz) is not required for highest power do not exceed the power threshold.

The WiFi and BT stand-alone SAR are not required, the standalone SAR must be estimated according to following to determine simultaneous transmission SAR test exclusion:

(max. power of channel, including tune-up tolerance, mW)/(min. test separation distance, mm)]·[√f(GHz)/x] W/kg for test separation distances ≤ 50 mm;

where x = 7.5 for 1-g SAR, and x = 18.75 for 10-g SAR.

(Max power=17.78 mW; min. test separation distance= 10mm for body; f=2.4GHz)

WiFi estimated Body SAR =0.368 W/Kg (1g)

(Max power=14.13 mW; min. test separation distance= 10mm for body; f=2.4GHz)

BT estimated Body SAR =0.292 W/Kg (1g)

Simultaneous SAR

#	Simultaneous transmission conditions					Sum of WWAN& WLAN
	WWAN			WLAN		
	LTE Data	GSM	UMTS	802.11b/g/n	BT	
1	x			x		x
2		x		x		x
3			x	x		x
4	x				x	x
5		x			x	x
6			x		x	x

Note:

- When the user enables the personal wireless router functions for the handset, actual operations include simultaneous transmission of both the Wi-Fi transmitter and another WWAN transmitter. Both transmitter often do not transmit at the same transmitting frequency and thus cannot be evaluated for SAR under actual use conditions. The "Portable Hotspot" feature on the handset was NOT activated, to ensure the SAR measurements were evaluated for a single transmission frequency RF signal.
- The hotspot SAR result may overlap with the body-worn accessory SAR requirements, per KDB 941225 D06, the more conservative configurations can be considered, thus excluding some



unnecessary body-worn accessory SAR tests.

3. GSM supports voice and data transmission, though not simultaneously. WCDMA supports voice and data transmission simultaneously.

4. Simultaneous Transmission SAR evaluation is not required for BT and WiFi, because the software mechanism have been incorporated to guarantee that the WLAN and Bluetooth transmitters would not simultaneously operate.

5. Per KDB 447498D01v05r01, Simultaneous Transmission SAR Evaluation procedures is as followed:

Step 1: If sum of 1 g SAR < 1.6 W/kg, Simultaneous SAR measurement is not required.

Step 2: If sum of 1 g SAR > 1.6 W/kg, ratio of SAR to peak separation distance for pair of transmitters calculated.

Step 3: If the ratio of SAR to peak separation distance is ≤ 0.04, Simultaneous SAR measurement is not required.

Step 4: If the ratio of SAR to peak separation distance is > 0.04, Simultaneous SAR measurement is required and simultaneous transmission SAR value is calculated.

(The ratio is determined by:  $(SAR1 + SAR2) \wedge 1.5/Ri \leq 0.04$ ,

Ri is the separation distance between the peak SAR locations for the antenna pair in mm)

6. Applicable Multiple Scenario Evaluation

Test Position	Main Ant. SARMax (W/Kg)	Bluetooth SAR(W/Kg)	WiFi SARMax(W/Kg)	Σ1-g SARMax(W/Kg)	
				BT&Main Ant	WiFi&Main Ant
Head SAR	0.512	0.095	0.345	0.607	0.857
Body SAR	1.134	0.292	0.368	1.426	1.502

Simultaneous Transmission SAR evaluation is not required for WiFi and WCDMA&GSM&LTE, because the sum of 1g SARMax is **1.502** W/Kg < 1.6W/Kg for Wifi and WCDMA&GSM&LTE.

Simultaneous Transmission SAR evaluation is not required for BT and WCDMA&GSM&LTE, because the sum of 1g SARMax is **1.426** W/Kg < 1.6W/Kg for BT and WCDMA&GSM&LTE.

(According to KDB 447498D01v05r01, the sum of the Highest reported SAR of each antenna does not exceed the limit, simultaneous transmission SAR evaluation is not required.)



**13. ANNEX A GENERAL INFORMATION**

**14. ANNEX B PHOTOGRAPHS OF THE EUT**

**15. ANNEX C GRAPH TEST RESULTS (TEST DATA)**

**16. ANNEX D SYSTEM PERFORMANCE CHECK DATA**



## 17.ANNEX A GENERAL INFORMATION

### 1. Identification of the Responsible Testing Laboratory

Company Name:	Shenzhen Morlab Communications Technology Co., Ltd.
Department:	Morlab Laboratory
Address:	FL.3, Building A, FeiYang Science Park, No.8 LongChang Road, Block 67, BaoAn District, ShenZhen, Guangdong Province, P. R. China
Responsible Test Lab Manager:	Mr. Su Feng
Telephone:	+86 755 36698555
Facsimile:	+86 755 36698525

### 2. Identification of the Responsible Testing Location

Name:	Shenzhen Morlab Communications Technology Co., Ltd. Morlab Laboratory
Address:	FL.3, Building A, FeiYang Science Park, No.8 LongChang Road, Block 67, BaoAn District, ShenZhen, Guangdong Province, P. R. China



### 3. List of Test Equipments

No.	Instrument	Type	Cal. Date	Cal. Due
1	PC	Dell (Pentium IV 2.4GHz, SN:X10-23533)	(n.a)	(n.a)
2	Network Emulator	Aglient (8960, SN:10752)	2015-2-21	1year
3	Network Analyzer	Agilent(E5071B ,SN:MY42404762 )	2014-9-26	1year
4	Voltmeter	Keithley (2000, SN:1000572)	2014-9-24	1year
5	Signal Generator	Rohde&Schwarz (SMP_02 )	2014-9-24	1year
6	Power Amplifier	PRANA (Ap32 SV125AZ)	2014-9-24	1year
7	Power Meter	Agilent (E4416A, SN:MY45102093)	2015-5-07	1year
8	Power Sensor	Agilent (N8482A, SN:MY41091706)	2015-5-07	1year
9	Directional coupler	Giga-tronics(SN:1829112)	2014-9-24	1year
10	Probe	Satimo (SN:SN 37/08 EP80)	2014-9-22	1year
11	Dielectric Probe Kit	Agilent (85033E )	2014-9-24	1year
12	Phantom	Satimo (SN:SN_36_08_SAM62)	2014-9-24	1year
13	Liquid	Satimo(Last Calibration: 2015-06-20 to 2015-06-22)	N/A	N/A
14	Dipole 750MHz	Satimo (SN 30/13 DIP0G750-259)	2014-9-22	1year
15	Dipole 835MHz	Satimo (SN 20/08 DIP0G 99)	2014-9-22	1year
16	Dipole 1750MHz	Satimo (SN 30/13 DIP1G750-260)	2014-9-22	1year
17	Dipole 1900MHz	Satimo (SN 30/13 DIP1G900-261)	2014-9-22	1year
18	Dipole 2450MHz	Satimo (SN 30/13 DIP2G450-263)	2014-9-22	1year

\*\*\*\*\* END OF REPORT \*\*\*\*\*