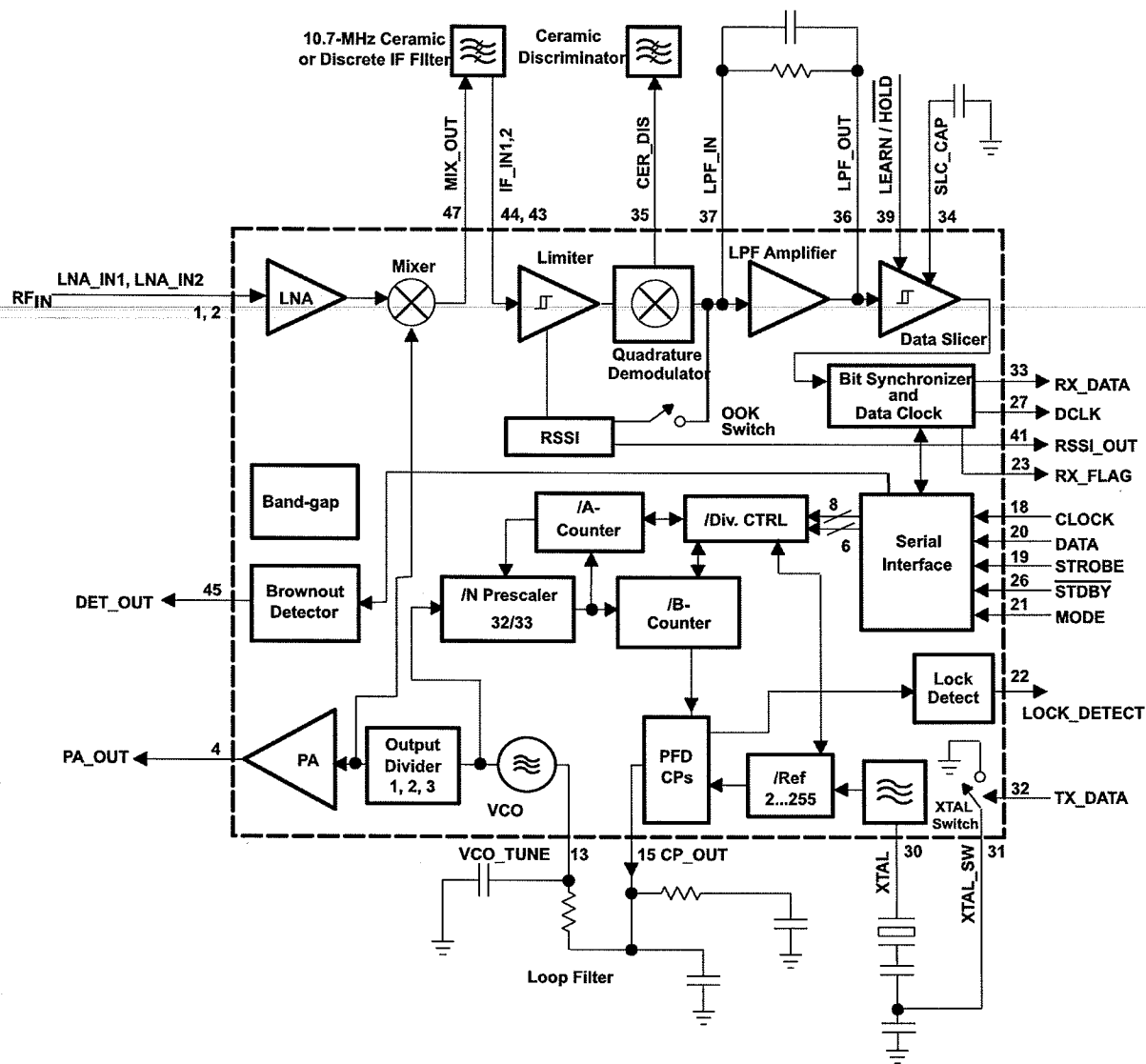


# TRF6903 SINGLE-CHIP MULTIBAND RF TRANSCEIVER

SWRS022C - MARCH 2004 - REVISED JANUARY 2005

## functional block diagram



Terminal Functions

TERMINAL NAME	NO.	I/O	DESCRIPTION
CER_DIS	35		Connect to external ceramic discriminator
CLOCK	18	I	Serial interface clock signal input
CP_GND	14		Charge pump ground
CP_OUT	15	O	Charge pump output
CP_VCC	16		Charge pump supply voltage
DATA	20	I	Serial interface data signal input



POST OFFICE BOX 655303 • DALLAS, TEXAS 75265  
POST OFFICE BOX 1443 • HOUSTON, TEXAS 77251-1443