



Bluetooth Water Resistant Speaker

Model #: NV-03304



INSTRUCTION MANUAL

**PLEASE READ ALL INSTRUCTIONS CAREFULLY
AND RETAIN FOR FUTURE USE**

Getting started

- Remove the Bluetooth speaker & accessories from the box.
- Remove all packaging from the Bluetooth speaker.
- Retain instructions for future reference
- Place the packaging inside the box to either store or dispose of safely.

In the Package

- Bluetooth Wireless Speaker
- AUX Cable
- USB Charging Cord
- Instruction Manual

Features

- Enjoy music wirelessly
- IPX4 water resistant
- Easy to switch between calls and music
- Answer and end a call at click of a button.
- Volume Control
- Every time the speaker is turned on, it connects to last connected device automatically
- Built-in rechargeable battery
- Clear sound with bass effect
- Work Time up to 10 hours
- Standby time up to 230 hours

Safety Instructions

Keep the unit away from heat sources, direct sunlight.

Do not use the unit if it has been dropped or damaged in any way.

Repairs to electrical equipment should only be performed by a qualified electrician.

Improper repairs may place the user at serious risk.

Do not put objects into any of the openings.

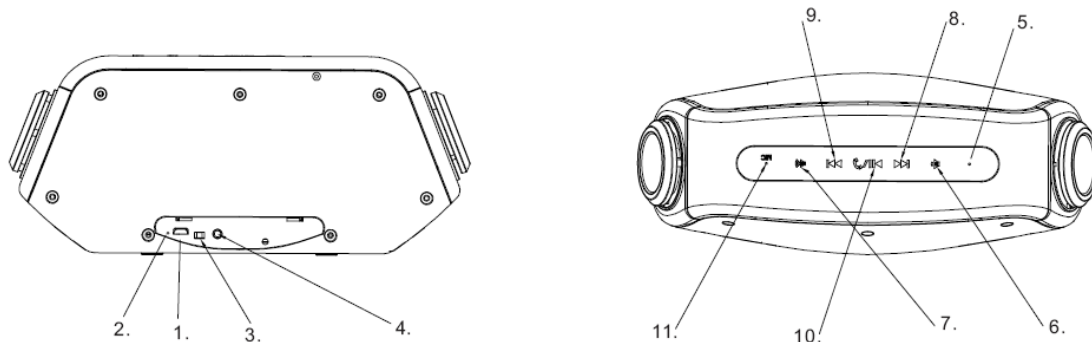
Keep the unit free from dust, lint etc.

Do not use this unit for anything other than its intended use.

Keep the unit out of reach of children.

This product is not a toy.

Description of Parts



1	Micro USB charging slot
2	Battery Charging Indicator
3	on/off switch
4	Line in 3.5mm jack
5	Bluetooth LED Indicator
6	"-" button: Decrease Volume
7	"+" button: Increase Volume
8	Previous track button
9	Next track button
10	Multi-function button (MFB): answer a call/end a call/reject a call/Pause/Play
11	Built-in Microphone

INSTRUCTIONS FOR USE

Charging Instructions

The speaker comes with a built in rechargeable battery. Before using it for the first time it is recommended you charge the battery fully.

Connect the USB cable to a computer USB port and the Micro USB plug to the charging slot of the speaker. The Red LED illuminates while the speaker is being charged. It takes around 4-5 hours for the unit to fully charge. When the battery is fully charged the red LED will turn off. When the battery is low, you can hear "No battery, please re-charge" form speaker every 1 minutes. When this occurs, please charge the speaker.

Turning on/off the speaker

There is an on/off switch at the bottom of the speaker. You can turn on/off the speaker with this switch. In order to save power, put the switch to off position when the speaker is not in use.

Pairing the speaker with Bluetooth devices (phone or music device)

Switch on the speaker, you can hear "Bluetooth model has been open" from Speaker

Place the speaker and Bluetooth device (phone or music device) so that they are no further than 3 feet apart;

Activate the Bluetooth function on your Bluetooth device (phone or music device). Please refer to the manufacturer's instructions for instructions on enabling Bluetooth on your device.

Once you have activated Bluetooth on your device, select the speaker "NV-03304" from the list of available Bluetooth devices.

If required, enter the password '0000' to confirm & finalize pairing.

Once paired successfully, the blue LED flashes one times every one seconds, and you can hear "Paired" from speaker. You can now start to use the speaker.

If pairing is unsuccessful, turn off the speaker first and then re-pair following the above steps.

Once you have paired the speaker with a device, the speaker will remember this device and will pair automatically when the device's Bluetooth is activated and in range. You do not need to re-pair any previously connected devices.

The speaker will attempt to automatically connect to the last device it was paired with when switched on. If you want to pair it with a new device please a long press on the MFB button and you can hear "waiting for a Pair" from Speaker.

Once the speaker is paired with your device the music will transmit directly to the speaker. Please refer to your device's user manual for further information.

Function Summary

Listening to Music

Once the speakers are paired with your device you can stream music wirelessly through the speaker. Select the track you wish to listen to and it will be streamed to your Bluetooth speaker.

Should you encounter any problems while streaming please refer your device's user manual for further information.

Control Function

If your Bluetooth device supports AVCRP (Audio/Video Remote Control Profile) you can use the Bluetooth speakers to perform basic remote functions once paired while listening to music.

The functions in the below table may differ depending on your device. Please refer to your device's user manual for further information.

Function	Operation	Button
Increase Volume	Playing music	A short press on the + button once will increase the volume
Decrease Volume	Playing music	A short press on the - button once will decrease the volume
Previous track	Playing music	A short press on the << button once will turn to the Previous track
Next track	Playing music	A short press on the >> button once will turn to the next track

Please note that your Bluetooth device must support AVCRP (Audio/Video Remote Control Profile) in order to operate the above functions.

Making a call with the speaker

Basic operation

Function	Operation	Button
Answer A Call	Incoming Call	Press the MFB once to answer an incoming call.
Cancel calling	Calling	A short press on the MFB button
Reject a call	Incoming Call	Press and hold the MFB button for 2-3 seconds
End a call	Incoming Call	Short press the MFB button
Increase Volume	During a call	A short press on the + button once will increase the volume
Decrease Volume	During a call	A short press on the - button once will decrease the volume

Please Note

- Not all mobile phones support all the functions listed above. Please refer to your cell phone's user's manual for further information.
- Certain functions and indication tones maybe vary depending on your mobile phone.
- When the volume is adjusted to max, you will hear an indication tone.

Aux Input

Make sure the Speaker is turned ON, connect the AUX cable to the audio port and the other plug to the speaker's AUX input, and you can enjoy the music form the speaker. In this case, the previous track and Next track button can not control the AUX model.

(Note: Once connect the AUX cable, the Bluetooth model will disconnected)

LED indicator

Please refer to the below tables for a list of the LED statuses while using the speaker.

Battery Charging Indication

LED indicator	Status of the speakers
Red LED	Charging
Red LED turns off	Charging Completed

LED Indication

LED indicator	Status of the speakers
Blue LED flashes quickly	Pairing mode
Blue LED flashes once every 2 seconds	Pairing successfully

Care and Maintenance

Read the following recommendations before using the speaker. Following these you will be able to enjoy the product for many years.

- Do not expose the speaker internal circuit to liquid, moisture or humidity to avoid being affected.
- Don't use abrasive cleaning solvents to clean the speaker.
- Do not expose the speaker to extremely high or low temperature as this will shorten the life of electronic devices, destroy the battery or distort certain plastic parts.
- Don't dispose of the speaker in a fire as it will result in an explosion.
- Don't expose the speaker to contact with sharp objects as this will cause scratches and damage.
- Don't let the speaker fall on the floor. The internal circuit might get damaged.
- Don't attempt to disassemble the speaker as this can damage the speaker or cause injury.

Specifications

Bluetooth specification	Bluetooth V3.0
Bluetooth profiles	HSP, HFP, A2DP and AVRCP
Operating distance	33 Feet, Class II
Working time	Music: Up to 8 hours Talk: Up to 10 hours
Standby time	230 hours
Charging input voltage	DC5V
Charging time	About 4-5 hours
Dimensions	260 x 105 x 115mm
Weight	950g

Note: Battery life & charging time may vary based on usage & types of devices used.

FCC Statement:

This equipment has been tested and found to comply with the limits for a Class B digital device, pursuant to part 15 of the FCC Rules. These limits are designed to provide reasonable protection against harmful interference in a residential installation. This equipment generates, uses and can radiate radio frequency energy and, if not installed and used in accordance with the instructions, may cause harmful interference to radio communications.

However, there is no guarantee that interference will not occur in a particular installation. If this equipment does cause harmful interference to radio or television reception, which can be determined by turning the equipment off and on, the user is encouraged to try to correct the interference by one or more of the following measures:

- Reorient or relocate the receiving antenna.
- Increase the separation between the equipment and receiver.
- Connect the equipment to an outlet on a circuit different from that to which the receiver is connected.

This device complies with part 15 of the FCC rules. Operation is subject to the following two conditions: (1) This device may not cause harmful interference, and (2) this device must accept any interference received, including interference that may cause undesired operation.

Note: Modifications to this product will void the user's authority to operate this equipment.