

# **MINI BLUETOOTH SPEAKER**

## **USER MANUAL**

**Model No.: BTS-588**

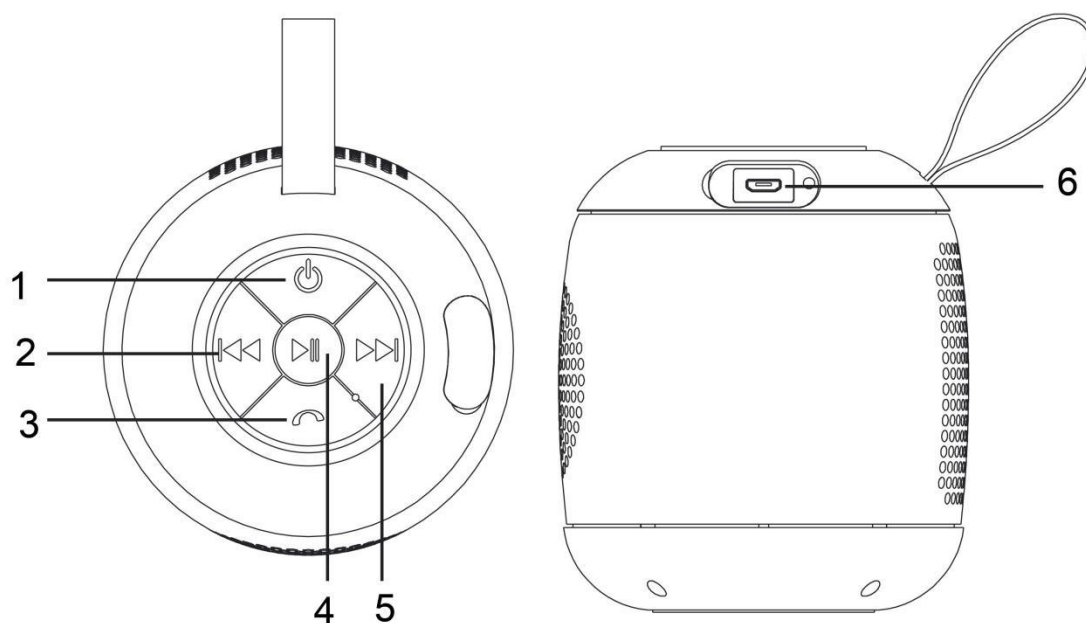


Please kindly read this user manual before using the product carefully, and keep it for future reference.

## In the box

1. Bluetooth Speaker: x 1
2. Micro USB Charging Cable: x 1
3. User Manual: x 1

## Descriptions



1	On/Off button
2	Previous track/ Volume Decrease
3	Phone
4	Play/Pause
5	Volume Increase
6	Charging port

## Charging the speaker





To charge the Bluetooth speaker, connect the supplied micro USB cable to the USB charging port and the other end to your computer or USB charging device.

Before using it for the first time we recommend you charge the battery fully.

## Pairing speaker with bluetooth device

1. Turn on the Bluetooth speaker.
2. Open Bluetooth function on your device and search for "BTS-588".
3. If required, enter the password '0000' to confirm to finalize pairing.
4. Connect it with your bluetooth enabled device .

## Button functions

	Long pressthe button to increase the volume Short press the button to the next track
	Long press the button to decrease the volume Short press button to the previous track
	Press the button to pause a song while playing music, press again to resume playing.
	Short press the button to answer a call. Short press the button again to end a call. Long press to reject a call.

## TECHNICAL SPECIFICATIONS

Bluetooth® version: V 4.2

Working distance: Up to 10 meters in open space

Speaker Output : 3W\*2

Frequency response: 80Hz – 20Khz

Charging input : DC 5V

Playback time: Approx. 3-4hours

Charging time: Approx. 4 -5hours

Rechargeable Battery:1200mAh

Unit size: 196 x 79 x 79mm

**Note:** Battery life & charging time may vary, based on usage & types of devices used.

The product design and specifications may be changed subject of without prior notice!

### **FCC Instructions**

NOTE: This equipment has been tested and found to comply with the limits for a Class B digital device, pursuant to part 15 of the FCC Rules. These limits are designed to provide reasonable protection against harmful interference in a residential installation. This equipment generates uses and can radiate radio frequency energy and, if not installed and used in accordance with the instructions, may cause harmful interference to radio communications. However, there is no guarantee that interference will not occur in a particular installation. If this equipment does cause harmful interference to radio or television reception, which can be determined by turning the equipment off and on, the user is encouraged to try to correct the interference by one or more of the following measures:

- Reorient or relocate the receiving antenna.
- Increase the separation between the equipment and receiver.
- Connect the equipment into an outlet on a circuit different from that to which the receiver is connected.
- Consult the dealer or an experienced radio/TV technician for help

Changes or modifications not expressly approved by the party responsible for compliance could void the user's authority to operate the equipment.

This device complies with Part 15 of the FCC Rules. Operation is subject to the following two conditions:

- (1) this device may not cause harmful interference, and
- (2) this device must accept any interference received, including interference that may cause undesired operation.