

BTS-737
Qi Standard Wireless Charge
Bluetooth Speaker



INSTRUCTION MANUAL

**PLEASE READ ALL INSTRUCTIONS CAREFULLY
AND RETAIN FOR FUTURE USE**

Getting Started

- Remove the speaker from the box.

- Please retain all packaging until you have checked and counted all the parts and the contents against the parts list.

Package Contents

- Qi Standard Wireless Charge Bluetooth Speaker
- USB charging cable
- Wireless charger
- Instruction Manual

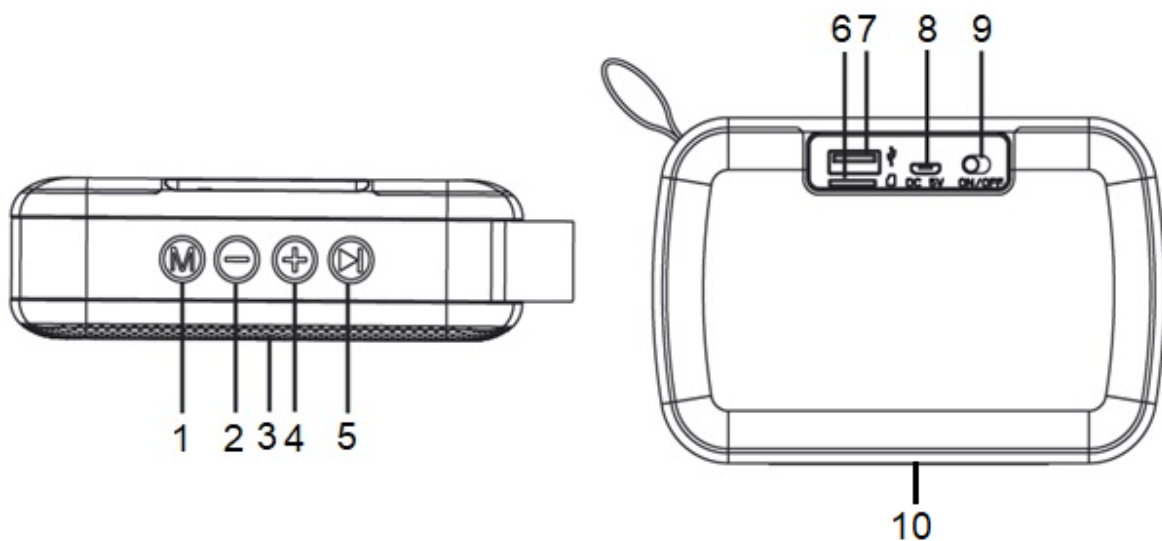
Key Features

- Wireless Charging (Qi) enabled Bluetooth Speaker
- Connects to any Bluetooth enabled devices
- Streams wireless music from your iPhone, iPad and other Android/Windows smartphones and tablets
- Plays music from USB Flash Drive & Micro SD Memory Card (Flash Drive & Memory card not included)
- Dual charging - wireless charging (bonus wireless charger included) & traditional wired charging (Micro USB cable included)
- Built-in microphone for hands-free calls
- Your music & calls at finger-tips
- Portable & light weight
- Built-in rechargeable battery
- Great to charge your Qi enabled mobile phones as well
- Easier recharging - no need for wires while recharging the speaker. Just place it on the Wireless charging pad.

SAFETY INSTRUCTIONS

- Keep the speaker away from heat sources, direct sunlight, humidity, water and any other liquids.
- Do not operate the speaker if it has been exposed to water, moisture or any other liquids to prevent against electric shock, explosion and/or injury to yourself and damage to the speaker.
- Do not use the speaker if it has been dropped or damaged in any way.
- Repairs to electrical equipment should only be performed by a qualified electrician. Improper repairs may place the user at serious risk.
- Do not use the speaker with wet hands.
- Do not put objects into any of the openings.
- Keep the speaker free from dust, lint etc.
- Do not use this speaker for anything other than its intended use.
- Keep the speaker out of reach of children.
- This appliance is not a toy.
- Batteries (battery pack or batteries installed) shall not be exposed to excessive heat place, such as sunshine, fire or the like.

Description of Parts



1	Mode Button
2	Skip Backward/Volume Decrease - Button
3	LED Indicator
4	Skip Forward/Volume Increase + Button
5	Play/Pause/Phone Button
6	Micro SD (TF) Card Slot
7	USB (Flash Drive) Slot
8	Charging Port
9	ON/OFF Switch
10	Wireless charging receiver

INSTRUCTIONS FOR USE

Charging the speaker

The speaker has built-in rechargeable battery and wireless charging receiver. When the battery is drained out, speaker would turn OFF automatically. Please recharge the battery by following either methods, every time battery needs to be charged.

Method 1: Plug the Micro USB end of the included USB charging cable into the charging port. Plug the other end into a suitable USB port such as, the one on your computer or other devices made for USB charging. Red LED Light illuminates indicating that the speaker is being charged.

It takes about 4 hours to fully charge the speaker. Once the speaker is fully charged, LED Light will turn OFF.

Method 2: Connect the Wireless charger (included) with the USB cable (included), and other end of the cable to a suitable power outlet rated DC 5V 2A. Red LED indicator light around the Wireless charging pad turns on, then place the speaker on the wireless charger so that the base of the speaker is in contact with the top of the wireless charger. Red LED Light on the speaker will turn on, and the red LED indicator light around the Wireless charging pad will turn to auto-change of blue LED light, indicating that the speaker is being charged.

It takes about 4 hours to fully charge the speaker. Once the speaker is fully charged, red LED Light on the speaker will turn OFF.

Turning ON/OFF the Speaker –

Before Turning ON the speaker, please ensure that it is fully charged.

Slide the ON/OFF switch to ON/OFF position to turn on/off the unit.

Connect using Bluetooth Technology

- Slide the ON/OFF switch to ON position to turn on, you would hear an indication tone and Blue LED would flash rapidly, indicating that you are now in Bluetooth Pairing Mode.
- Activate the Bluetooth function on your source device (Mobile Phone or Tablet). Please refer to manufacturer’s instructions for instructions on enabling Bluetooth on your device.
- Search for available Bluetooth devices and you would find “**Qi Speaker**” – Pair it with this device.
- If required, enter the password “0000” to pair with the device.
- Once paired successfully, you will hear another indication tone, and Blue LED would stay on.
- You can now stream wireless music on your speaker through your source device.

Talking using the Bluetooth Speaker

Please ensure that you are paired with the Bluetooth Speaker to use the below functions.

Function	Operation	Button
Answer Incoming Call	Incoming Call	Press the Phone once to answer an incoming call.
Reject incoming call	Incoming Call	Press and hold the Phone button for 2 seconds
End Call	Incoming Call	After your phone conversation, short press the Phone button
Increase Volume	During a call	Press and hold the + button to increase the volume
Decrease Volume	During a call	Press and hold the - button to decrease the volume
Redial last number	Standby mode and connected to a device	Short press the Phone button twice

Listening to Music Wirelessly

Please ensure that your device (iPhone, Tablet or Other Smart Phone) is paired with the Bluetooth Speaker to stream music wirelessly. Once it is paired, play music from your device.

Function	Operation	Button
Increase Volume	Playing music	Press and hold the + button to increase the volume
Decrease Volume	Playing music	Press and hold the - button to decrease the volume
Pause	Playing music	Short press the Play/Pause button will pause the music
Play	Pausing	Short press the Play/Pause button will resume the music
Previous track	Playing music	Short press the Skip Backward button will return you to the

		previous track
Next track	Playing music	Short press the Skip Forward button will take you to the next track

(Note: An indication tone will alert you when the volume is adjusted to the maximum level.)

TWS pairing use (if you own 2 Qi Standard Wireless Charge Bluetooth Speakers)

=

1. Make sure both the speakers are “ON” and not paired with any Bluetooth device. An indication tone would be heard from each speaker. After few seconds, another indication tone would be heard if they pair together automatically.
REMARK: If they do not pair together automatically, press and hold the Mode button on any one speaker for 2-3 seconds, and the speakers will automatically pair with each other within few seconds. Once paired successfully, you will hear another indication tone.
2. Activate the Bluetooth function on your source device (Mobile Phone, Tablet etc). Please refer to manufacturer’s instructions for instructions on enabling Bluetooth on your device.
3. Search for available Bluetooth devices and you would find “**Qi Speaker**” – Pair it with this device.
4. If required, enter the password “0000” to pair with the device.
5. Once paired successfully, another indication tone would be heard.
6. You can now stream wireless music on your speaker through your source device.

Note: TWS stands for True Wireless.

Stream music from Micro SD (TF) Card or USB Flash Drive –

- Turn ON the speaker.
- Insert the Micro SD (TF) Card or USB Drive preloaded with songs, into the Micro SD (TF) Card Slot or USB Card Slot of the speaker respectively, speaker would automatically start playing songs from the Micro SD (TF) Card or USB Drive.
- To Skip Track Forward – Short press the Skip Forward button.
- To Skip Track Backwards – Short press the Skip Backward button.
- To Pause the Track – Short press the Play/Pause button.
- To Play the Track – Short press the Play/Pause button.
- Long press + to increase the volume or - to decrease the volume.

Note: USB Flash Drive & Micro SD Card not included

Tips!!

1. Press the “Mode button” to switch different functions of the speaker between – Bluetooth / USB-Micro SD (TF).
2. When the speaker is not in use, turn it OFF in order to save the battery power.

Specifications –

Bluetooth® Version: 5.0

Wireless Streaming Range Distance: 33 feet

Speaker output: 5W

Size: L5.19” x H3.93” x D1.62”

Weight: 10.5 oz approx.

Power Input: DC 5V

Charging Time: about 4 hours

Play time: up to 6 hours (moderate volume)

Built-In Rechargeable Battery: 3.7V / 1200mAh

Micro SD (TF) Card/USB Drive: Support up to 32GB

(Note: Battery life & charging time may vary based on usage, types of devices connected & wireless distance.)

Troubleshooting

Problem	Possible Cause	Solution
Low sound level	Source (Tablet, Mobile Phone, Laptop, etc.) volume too low.	Adjust source volume.
	Battery dead	Charge Battery.
Sound distorted	Battery nearly dead	Charge Battery.
No sound at all.	Source (Tablet, Mobile Phone, Laptop.) turned off.	Turn the source on.
	Speaker turned off.	Turn the speaker on.
	Volume turned down source.	Adjust volume source.
	Media paused on source.	Play media from source.

Care and maintenance

Read the following recommendations before using the Bluetooth Speaker. Following these you will be able to enjoy the product for many years.

- Do not expose the unit to liquid, moisture or humidity to avoid the product's internal circuit being affected.
- Do not use abrasive cleaning solvents to clean the unit.
- Do not expose the unit to extremely high or low temperature as this will shorten the life of electronic devices, destroy the battery or distort certain plastic parts.
- Do not dispose of the unit in fire as it will result in an explosion.
- Do not expose the unit to contact with sharp objects as this will cause scratches and damage.
- Do not let the unit fall down onto the floor. The internal circuit might get damaged.
- Do not attempt to disassemble the unit as it may get damaged if you are not professional.

FCC Instructions

Changes or modifications not expressly approved by the party responsible for compliance could void the user's authority to operate the product.

NOTE: This product has been tested and found to comply with the limits for a Class B digital device, pursuant to Part 15 of the FCC Rules. These limits are designed to provide reasonable protection against harmful interference in a residential installation. This product generates, uses and can radiate radio frequency energy and, if not installed and used in accordance with the instructions, may cause harmful interference to radio communications. However, there is no guarantee that interference will not occur in a particular installation. If the product does cause harmful interference to radio or television

reception, which can be determined by turning the equipment off and on, the user is encouraged to try to correct the interference by one or more of the following measures:

- Reorient or relocate the receiving antenna.
- Increase the separation between the product and receiver.
- Connect the product into an outlet on a circuit different from that to which the receiver is connected.
- Consult the dealer or an experienced radio/TV technician for help.

This device complies with part 15 of the FCC Rules. Operation is subject to the following two conditions: (1) This device may not cause harmful interference, and (2) this device must accept any interference received, including interference that may cause undesired operation.