

**BLUETOOTH
SONAR-XT
GAMING SPEAKERS WITH LED LIGHTS
BTS-709**



Instruction Manual

**Please read all instructions carefully
and retain for future use**

Getting started

- Remove the product from the box
- Please retain all packaging until after you've checked and counted all the parts and the contents against the Package Contents list.

Package Contents

- Set of 2 Gaming Speakers
- USB Power Cable (pre-attached to the speakers)
- 3.5mm Aux Cable
- Instruction Manual

Key Features

- Gaming just got louder
- Listen to your games come to life when you plug in these full-stereo sound gaming speakers
- Each speaker delivers up to 5 watts, total 10 watts of sound
- RGB lights
- Dual mode: Bluetooth and Aux connection - 3.5mm Jack
- Powered by USB

Safety Instructions

Keep the unit away from heat sources, direct sunlight, humidity, water and other liquids.

Do not operate the unit if it has been exposed to water, moisture or any other liquids to prevent against electric shock, explosion and or injury to yourself and damage to the unit.

Do not use the unit if it has been dropped or damaged in any way.

Repairs to electrical equipment should only be performed by a qualified electrician.

Improper repairs may place the user at serious risk.

Do not use the unit with wet hands.

Do not put objects into any of the openings.

Keep the unit free from dust, lint etc.

Do not use the unit for anything other than its intended use.

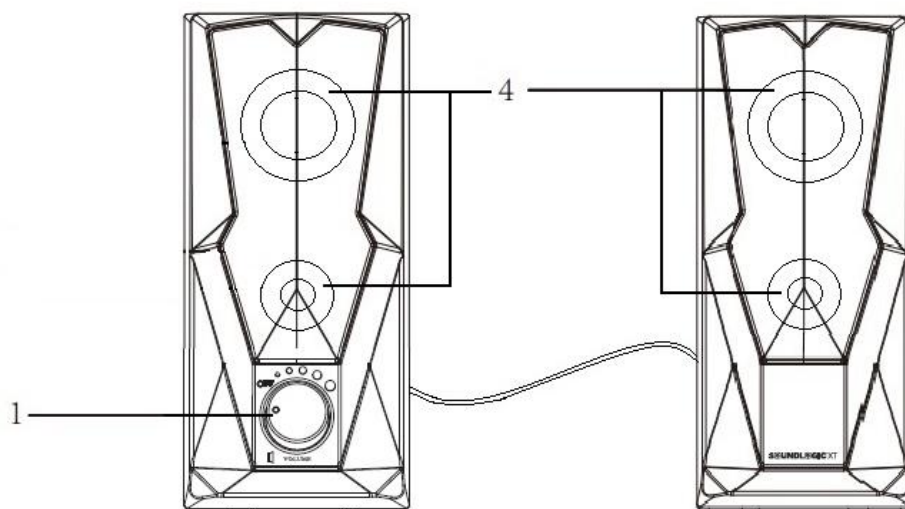
Keep the unit out of reach of children.

This product is not a toy.

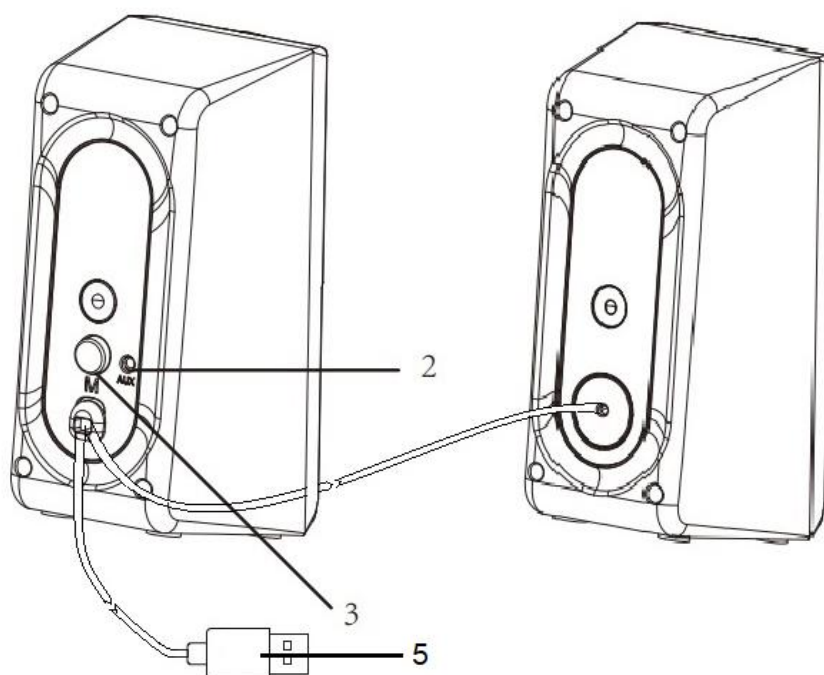
Do not use the handset at excessive volume levels, as damage to hearing may occur.

Description of parts:

Front



Back



1	ON/OFF Switch
2	Auxiliary Input
3	Mode Button
4	RGB Lights
5	USB Power Cable (pre-attached to speakers)

Instructions for use

Connect the USB power cable to a suitable USB power outlet rated DC 5V 2A.

Turn the ON/OFF switch clockwise/counter-clockwise to turn on/off the speakers.

Connect using Bluetooth Technology

- § Turn the ON/OFF switch clockwise to turn on the speakers and their multi-colored LED lights. An indication tone will be heard indicating that you are now in Bluetooth Pairing Mode.
- § Activate the Bluetooth function on your source device (Mobile Phone, Tablet etc). Please refer to manufacturer's instructions for instructions on enabling Bluetooth on your device.
- § Find and select "SL SONAR-XT" in available list of Bluetooth devices nearby.
- § If required, enter the password "0000" to pair with the device.
- § Once paired successfully, you will hear another indication tone confirming your mobile device and Gaming speakers have paired successfully.
- § You can now stream wireless music on your speaker through your source device.

Listening to Music Wirelessly

Please ensure that your device (iPhone, Tablet or Other Smart Phone) is paired with the Bluetooth Speaker to stream music wirelessly. Once it is paired, play music from your device.

Function	Operation	Button
Increase Volume	Playing music	Turn the ON/OFF switch clockwise to increase the volume
Decrease Volume	Playing music	Turn the ON/OFF switch counter-clockwise to decrease the volume

Play music through "Auxiliary" mode

- § Turn ON the speaker.
- § Insert one end of the Auxiliary cable (Included) into the Auxiliary port, and the other end to the audio device (such as phone / MP3 Player / computer / tablet /etc.).
- § Select your favourite song at the source device to play.
- § Turn ON/OFF switch clockwise/counter-clockwise to increase/decrease the volume.

Note: Media such as play/pause and next/previous track can be controlled only through the source devices, while playing music in Auxiliary mode.

Tips!!

Short press the "Mode button" to switch different functions of the speaker between – Bluetooth / AUX-In.

Specifications –

Bluetooth® Version: 4.2

Wireless Streaming Distance: 26-33 Feet

Input: DC 5V

Speaker Output: 2x5W

Size: 3.1" L x 4.3" D x 6.8" H per speaker

Unit Weight: 26.3 oz/set of speakers

FCC Caution:

This device complies with part 15 of the FCC Rules. Operation is subject to the following two conditions: (1) This device may not cause harmful interference, and (2) this device must accept any interference received, including interference that may cause undesired operation.

Any Changes or modifications not expressly approved by the party responsible for compliance could void the user's authority to operate the equipment.

Note: This equipment has been tested and found to comply with the limits for a Class B digital device, pursuant to part 15 of the FCC Rules. These limits are designed to provide reasonable protection against harmful interference in a residential installation.

This equipment generates uses and can radiate radio frequency energy and, if not installed and used in accordance with the instructions, may cause harmful interference to radio communications. However, there is no guarantee that interference will not occur in a particular installation. If this equipment does cause harmful interference to radio or television reception, which can be determined by turning the equipment off and on, the user is encouraged to try to correct the interference by one or more of the following measures:

- Reorient or relocate the receiving antenna.
- Increase the separation between the equipment and receiver.
- Connect the equipment into an outlet on a circuit different from that to which the receiver is connected.
- Consult the dealer or an experienced radio/TV technician for help.

The device has been evaluated to meet general RF exposure requirement. The device can be used in portable exposure condition without restriction.