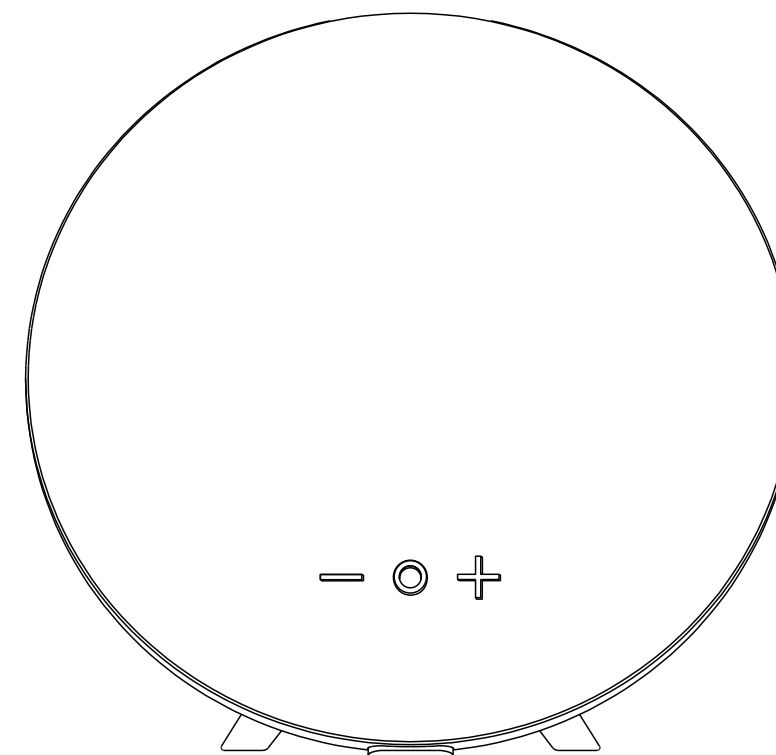




## ROUND CLOTH BLUETOOTH SPEAKER

MODEL: SP400-BLACKGREY



Please read these instructions thoroughly before use and retain for future reference

SYLVANIA is a registered trademark of OSRAM Sylvania Inc. used under license.

### 1 Your Round Cloth Bluetooth Speaker

- 1.1 In the box
- 1.2 Front view
- 1.3 Side view

### 2 Quick Set up

- 2.1 Pairing with a Bluetooth device
- 2.2 Playing your music
- 2.3 Using the LINE-IN connection

### 3 Troubleshooting

### 4 Technical Specifications

### 1 Your Round Cloth Bluetooth Speaker

#### 1.1 In the box

Carefully remove your Round Cloth Speaker from the box. Inside the box you will find:

- 1 x Round Cloth Speaker
- 1 x Line in cable
- Instruction Manual
- 1 x USB Charging Cable

#### 1.2 Front view

##### 1. Indicator light

##### 2. Decrease volume/ Previous track

Press the button to switch the previous track  
Hold the button to decrease the volume.

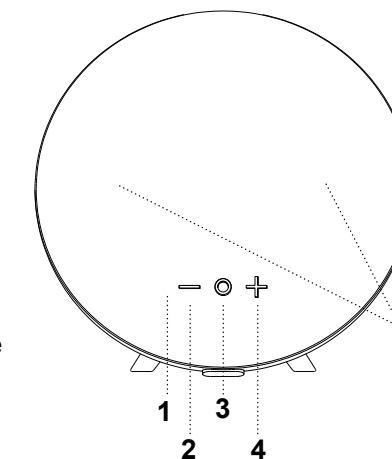
##### 3. Play / Pause / Answer calls / End calls / Refused calls / Redial last calls/Mode

When receiving a call, long press the button to refuse a call. A short press will play / pause / answer / end a call. Press the button twice to redial the last call.

##### 4. Increase volume / Next track

Press the button to switch to the next track.  
Hold the button to increase the volume.

##### 5. Speaker



#### 1.3 Side view

##### 6. Standing leg

##### 7. Power ON / OFF button

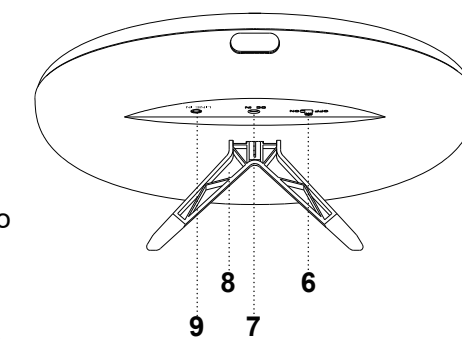
Switch the power ON/OFF button to On or Off.

##### 8. LINE IN

Used to connect the round cloth speaker to devices without Bluetooth.

##### 9. USB Charging port

Connect the USB charging cord (included) to the DC 5V charging port of the speaker and insert the other end into a port on your computer or similar power source.



### 2 Quick Set Up

#### 2.1 Pairing With a Bluetooth Device

1. Switch the On/Off button until you will be hear 'Bluetooth mode, Pairing'. The LED indicator will show a blue flashing light.
2. Using your Bluetooth phone or tablet, turn on Bluetooth and search for Bluetooth Devices.
3. In the available list you will see 'Sylvania SP400'. Select this device. If you are asked for a pass code, enter 0000.
4. When successfully paired, the LED indicator will stop flashing and you will hear 'Connected'.

#### 2.2 Playing Your Music

When your phone or tablet is paired to the Round Cloth Bluetooth Speaker, use your music app to playback your music.

### 2.3 Using the Aux-In Connection

1. If your music device doesn't have Bluetooth, you can use the line-In connection.
2. Connect the line in cable provided to the round cloth speaker and connect the other end to your music device.
3. Select your music on your music device and select 'Play'.

**Note: When a line in cable is connected your Round Cloth Speaker will automatically disconnect from your Bluetooth device.**

### 3 Fehlerbehebung

Problem	What to do
I can't pair the round cloth Speaker with my Bluetooth device.	<ul style="list-style-type: none"> <li>• Turn the round cloth Speaker On.</li> <li>• Make sure that the line in cable is not connected.</li> <li>• Make sure that the Indicator LED is flashing blue.</li> <li>• If it is not flashing blue, it is already paired to another device. Un-pair that device and try again.</li> </ul>
I can't hear my music.	<ul style="list-style-type: none"> <li>• Turn the round cloth Speaker On.</li> <li>• Using the volume controls on your music device, turn the volume up.</li> </ul>
I can't turn my round cloth Speaker On.	<ul style="list-style-type: none"> <li>• Make sure that the round cloth Speaker is galvanical.</li> <li>• Press the On/Off button for three seconds to turn it On.</li> </ul>
My music device keeps on disconnecting from the round cloth Speaker.	<ul style="list-style-type: none"> <li>• Make sure that the round cloth Speaker is galvanical.</li> <li>• If the line in cable is connected, remove it.</li> <li>• Make sure that your music device is not further than 10 metres away from the speaker.</li> </ul>

### 4 Technical Specifications

Bluetooth Version: V 5.0  
 Speaker Output: 2x5W  
 Play Time: Up to 2 hours  
 Charge Voltage: DC 5V (USB)  
 Bluetooth Range: 10 Meters  
 Built-In Rechargeable Li-ion Battery: 3.7V, 1800mAh

NOTE: This equipment has been tested and found to comply with the limits for a Class B digital device, pursuant to part 15 of the FCC Rules. These limits are designed to provide reasonable protection against harmful interference in a residential installation. This equipment generates uses and can radiate radio frequency energy and, if not installed and used in accordance with the instructions, may cause harmful interference to radio communications. However, there is no guarantee that interference will not occur in a particular installation. If this equipment does cause harmful interference to radio or television reception, which can be determined by turning the equipment off and on, the user is encouraged to try to correct the interference by one or more of the following measures:

- Reorient or relocate the receiving antenna.
- Increase the separation between the equipment and receiver.
- Connect the equipment into an outlet on a circuit different from that to which the receiver is connected.
- Consult the dealer or an experienced radio/TV technician for help.

Changes or modifications not expressly approved by the party responsible for compliance could void the user's authority to operate the equipment. This device complies with Part 15 of the FCC Rules. Operation is subject to the following two conditions:

- (1) this device may not cause harmful interference, and
- (2) this device must accept any interference received, including interference that may cause undesired operation.

For service assistance and product information, please call: 1-800-968-9853.  
 Curtis International Ltd.  
 7045 BECKETT DRIVE, UNIT 15, MISSISSAUGA, ON, L5S 2A3  
 www.curtisint.com

To make a warranty claim, do not return this product to the store. Please email support@curtiscs.com or call 1-800-968-9853.

#### 90 day Warranty

This product is warranted to be free from defects in material and workmanship for a period of ninety (90) days from the date of original purchase. During this period, your exclusive remedy is repair or replacement of this product or component found to be defective, at our option; however, you are responsible for all costs associated with returning the product to us. If the product or component is no longer available, we will replace with a similar one of equal or greater value. Prior to a replacement being sent, the product must be rendered inoperable or returned to us.

This warranty does **not** cover glass, filters, wear from normal use, use not in conformity with the printed directions., or damage to the product resulting from accident, alteration, abuse, or misuse. This warranty extends only to the original consumer purchaser or gift recipient. Keep the original sales receipt, as proof of purchase is required to make a warranty claim. This warranty is void if the product is used for other than single-family household use or subjected to any voltage and waveform other than as on the specified rating on the label (e.g., 120V~60Hz).

We exclude all claims for special, incidental, and consequential damages caused by breach of express or implied warranty. All liability is limited to the amount of the purchase price. **Every implied warranty, including any statutory warranty or condition of merchantability or fitness for a particular purpose, is disclaimed except to the extent prohibited by law, in which case such warranty or condition is limited to the duration of this written warranty.** This warranty gives you specific legal rights. You may have other legal rights that vary depending on where you live. Some states or provinces do not allow limitations on implied warranties or special, incidental, or consequential damages, so the foregoing limitations may not apply to you.

For faster service, locate the model, type, and serial numbers on your appliance.

This device complies with part 15 of the FCC Rules. Operation is subject to the following two conditions: (1) this device may not cause harmful interference, and (2) this device must accept any interference received, including interference that may cause undesired operation.

Any changes or modifications not expressly approved by the party responsible for compliance could void the user's authority to operate the equipment.

NOTE: This equipment has been tested and found to comply with the limits for a Class B digital device, pursuant to Part 15 of the FCC Rules. These limits are designed to provide reasonable protection against harmful interference in a residential installation. This equipment generates, uses and can radiate radio frequency energy and, if not installed and used in accordance with the instructions, may cause harmful interference to radio communications. However, there is no guarantee that interference will not occur in a particular installation.

If this equipment does cause harmful interference to radio or television reception, which can be determined by turning the equipment off and on, the user is encouraged to try to correct the interference by one or more of the following measures:

- Reorient or relocate the receiving antenna.
- Increase the separation between the equipment and receiver.
- Connect the equipment into an outlet on a circuit different from that to which the receiver is connected.
- Consult the dealer or an experienced radio/TV technician for help.

The device has been evaluated to meet general RF exposure requirement. The device can be used in portable exposure condition without restriction

FCC ID: R8HBTS-601A