

LED Patio Umbrella Light Bluetooth Speaker

USER MANUAL

Model No.: BTS-538

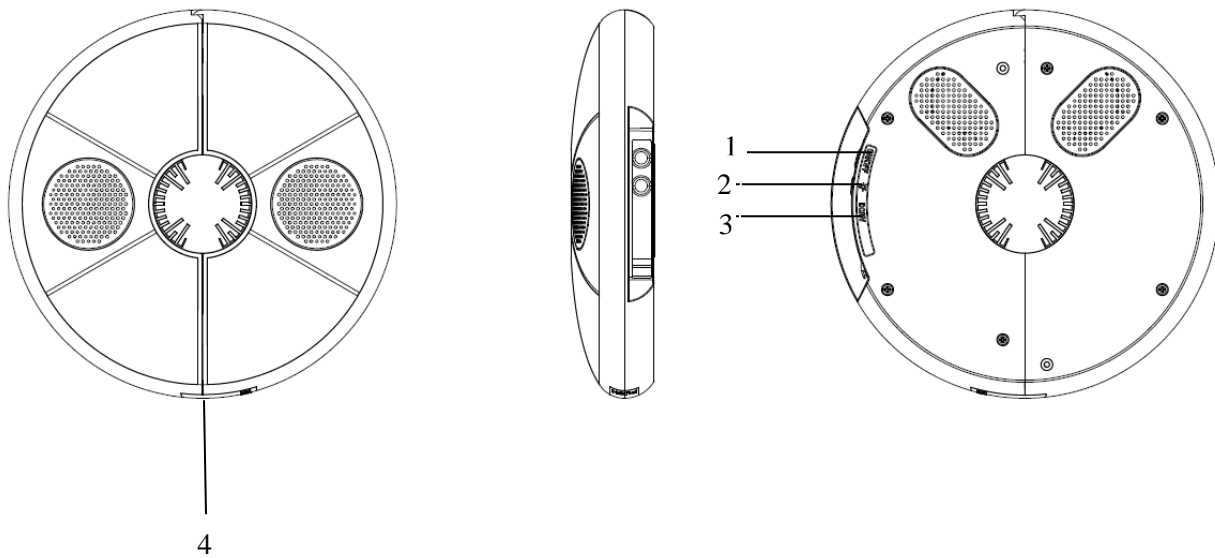


Please kindly read this user manual before using the product carefully, and keep it for future reference.

In the box

1. Bluetooth Speaker : 1
2. Micro USB Charging Cable : 1
3. User Manual : 1

Description of Parts



1	ON/OFF Button
2	LED light button
3	USB Charging Port
4	Open/close latch

Charging the speaker

To charge the Bluetooth speaker, connect the supplied micro USB cable to the USB charging port and the other end to your computer or USB charging device.

Make sure you charge your Bluetooth speaker for at least 4 hours before using it for the first time.

Easy to install:

1. Push Open/Close latch of the unit to open the speaker
2. Install the speaker beneath the rib of your umbrella;
3. Close the speaker around the main pole and make sure the light speaker is fully lock up;
4. Don't let go of the speaker until it is closed and full secured to the umbrella pole.

Pairing a speaker with phone / Bluetooth enabled device

1. Turn on the Bluetooth speaker.
2. Turn on your Bluetooth enabled device and activate the Bluetooth function.
3. Search for the Bluetooth device, “**BTS-538**” will show up.
4. If required, enter the password ‘0000’ to confirm to finalize pairing.
5. Connect it with your Bluetooth enabled device

Button functions

Button	Function
ON/OFF Button	Press the button to turn ON/OFF the unit.
LED light button	Press the button to switch colour mode: RGB light, White light, Colour Off.

Specifications

Bluetooth® Version : 4.2
Working distance : Up to 10 meters in open space
Speaker output : 3W*2
FM frequency range : 87.5-108MHz
Power Input : DC 5V
Play time : about 3-4 hours
Charging Time : about 3-4 hours
Built-In Rechargeable Battery : 3.7V /1200mAh
USB Drive : Support up to 32GB
Unit Size : diameter 20.5cm

(Note: Battery life & charging time may vary based on usage, types of devices connected & wireless distance.)

NOTE: This equipment has been tested and found to comply with the limits for a Class B digital device, pursuant to part 15 of the FCC Rules. These limits are designed to provide reasonable protection against harmful interference in a residential installation. This equipment generates uses and can radiate radio frequency energy and, if not installed and used in accordance with the instructions, may cause harmful interference to radio communications. However, there is no guarantee that interference will not occur in a particular installation. If this equipment does cause harmful interference to radio or television reception, which can be determined by turning the equipment off and on, the user is encouraged to try to correct the interference by one or more of the following measures:

- Reorient or relocate the receiving antenna.
- Increase the separation between the equipment and receiver.
- Connect the equipment into an outlet on a circuit different from that to which the receiver is connected.
- Consult the dealer or an experienced radio/TV technician for help

Changes or modifications not expressly approved by the party responsible for compliance could void the user's authority to operate the equipment.

This device complies with Part 15 of the FCC Rules. Operation is subject to the following two conditions:

- (1) this device may not cause harmful interference, and
- (2) this device must accept any interference received, including interference that may cause undesired operation.