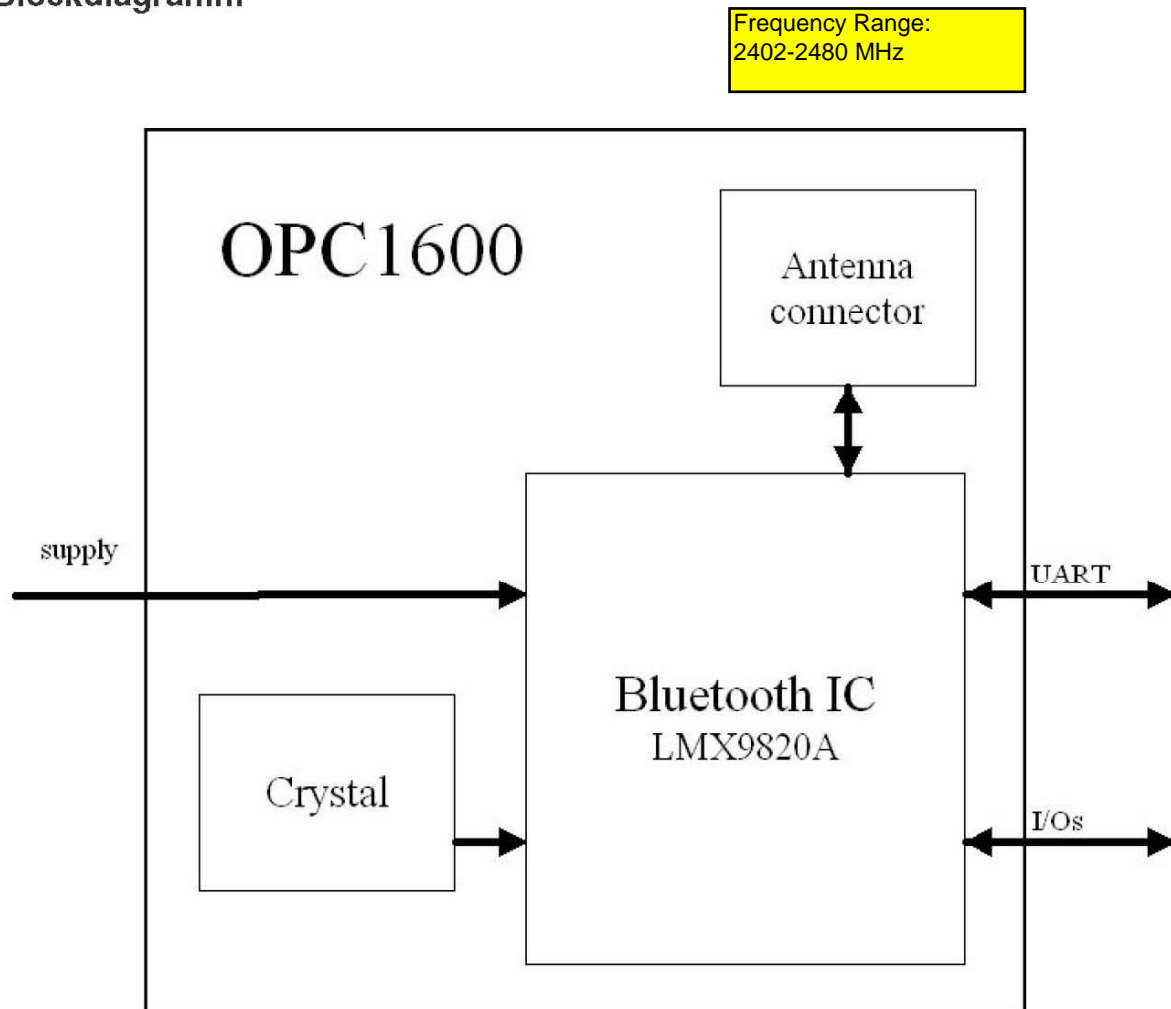


Block Diagram : **OPC1600 (BlueNiceCom2)**

**OPC1600**  
Blockdiagramm



- LMX9820A consisting a voltage regulator, a controller Unity and a Radio Unity
- Antenna connector SMA Reverse Polarity Jack
- 12MHz and 32,768KHz Crystal for Clock generating
- Interface containing UART and general purpose I/Os
- Power supply, 2,85V to 3,6V