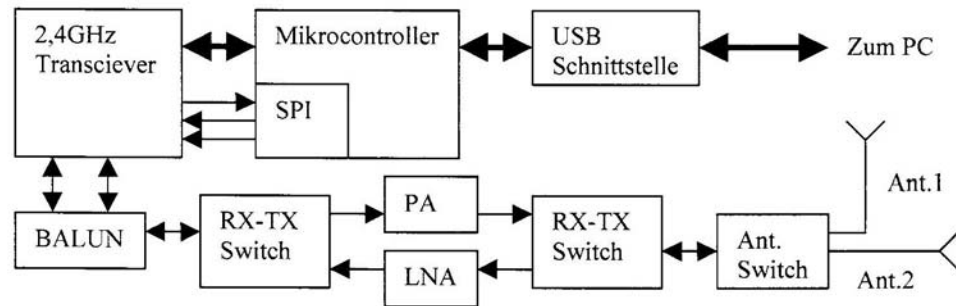
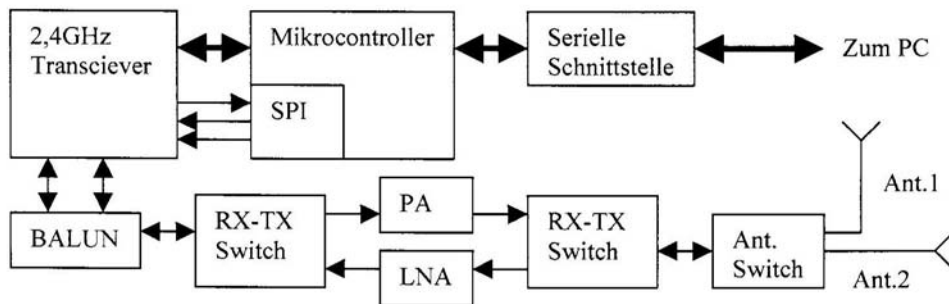


Block Diagram : **Transceiver module F16200000 / 01  
(KaVo Radio Master)**



Oscillator frequencies  
generated or used  
in the device: : 6.0000MHz, 16MHz,

Block Diagram : **Transceiver module F16200000 / 01  
(KaVo Radio Slave)**



Oscillator frequencies  
generated or used  
in the device: : 6.0000MHz, 16MHz,