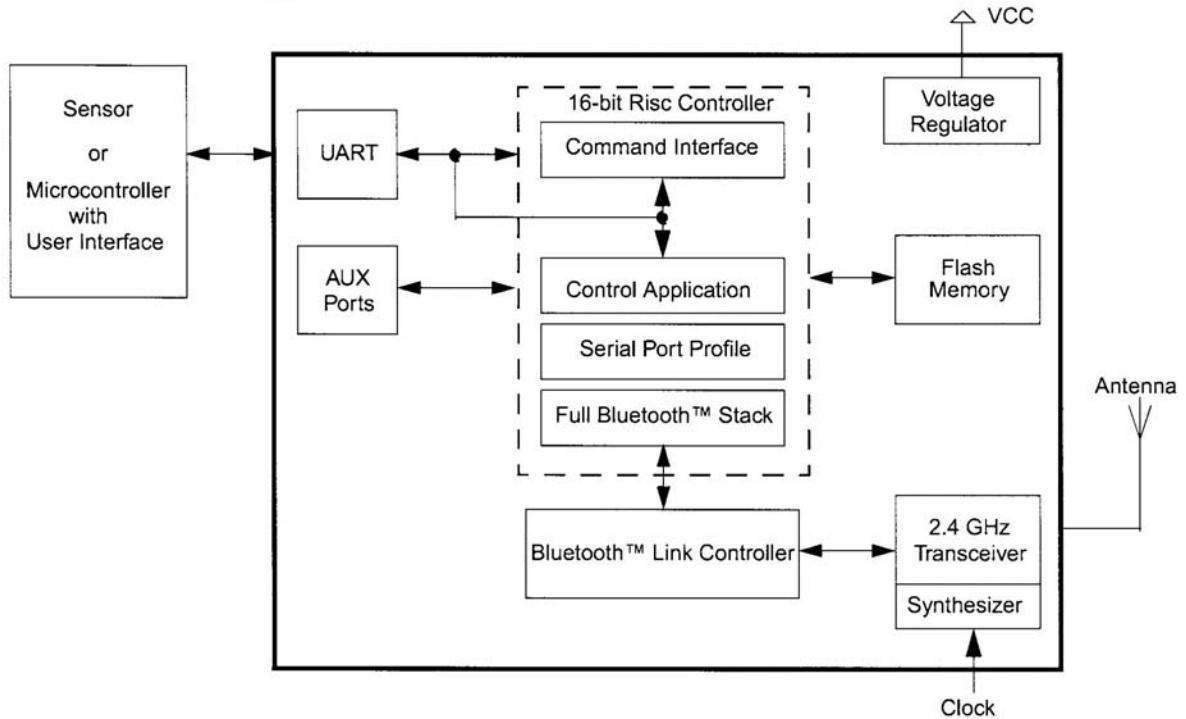


Block Diagram : **Amber wireless
BlueNiceCom III**

Functional Block Diagram



Oscillator frequencies, 12 MHz 20 ppm (Clock)

Generated or used frequencies : 12 MHz 20 ppm

Lowest frequency declared by the applicant:	2.4020GHz (Channel 1)
Middle frequency declared by the applicant:	2.4410GHz (Channel 39)
Highest frequency declared by the applicant:	2.4800GHz (Channel 78)