



Excellence in Compliance Testing

---

## **Certification Exhibit**

**FCC ID: R7PNG6R1S1  
IC: 5294A-NG6R1S1**

**FCC Rule Part: 15.247  
IC Radio Standards Specification: RSS-210**

**ACS Project Number: 11-0082**

Manufacturer: Cellnet Technology, Inc.  
Models: Collector C6400, Collector C6420, Collector C6430

## **Label Information**

D

D

C

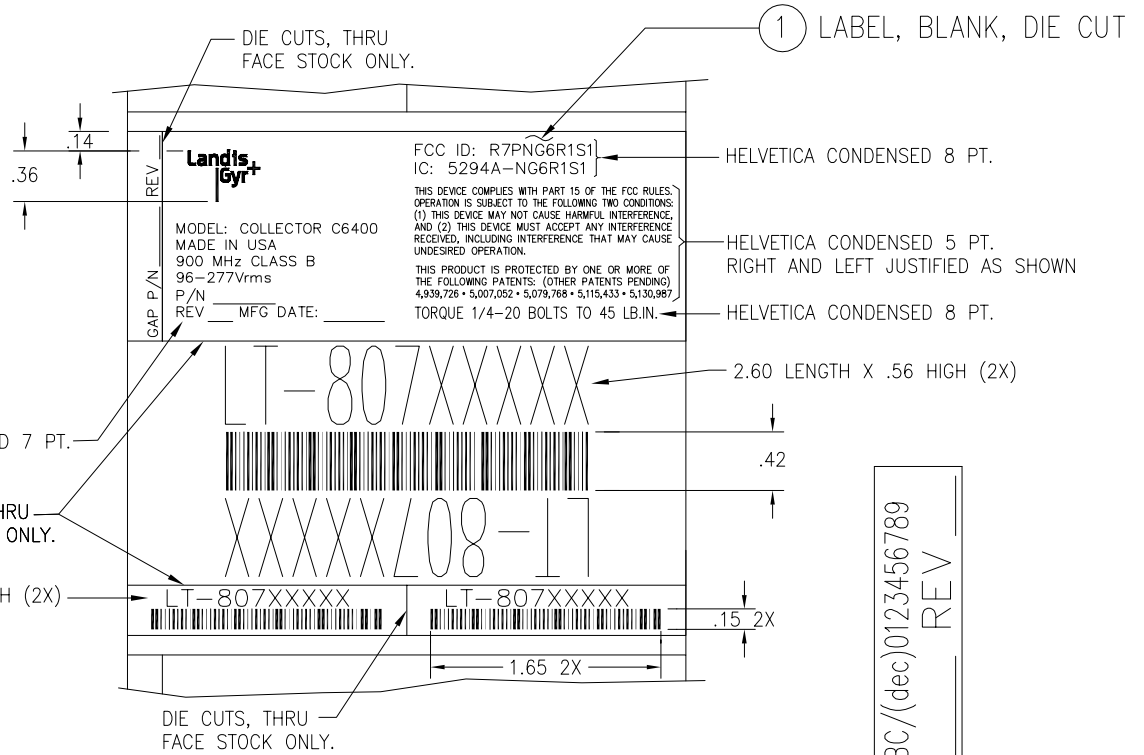
C

B

B

A

A



NOTES:

1. FINISH: PRINT PERMANENT BLACK INK
2. BARCODE: 39
3. LAN ADDRESS IS HEXADECIMAL. NUMBER RANGE BEGINS AT 80700000. BAR CODE REPRESENTS FIXED PREFIX "LT-" FOLLOWED BY HEXADECIMAL NUMBER "807XXXXX". CONTRACT MANUFACTURER TO MAINTAIN LOG OF SEQUENTIAL SERIAL NUMBERS.
4. LABEL FONT SHOWN IS USED TO DEFINE TEXT CONTENT ONLY. USE FONT SPECIFIED FOR ACTUAL LABELS.
5. PRINT ASSY PART NUMBER, CURRENT REV, AND MFG DATE IN FIELDS INDICATED.
6. THIS LABEL SHALL BE IN ACCORDANCE WITH DOCUMENT NUMBER 95-1062. SURFACES SHALL BE CONSIDERED "CLASS E" SURFACES UNLESS OTHERWISE SPECIFIED.
7. THIS LABEL SHALL BE IN ACCORDANCE WITH DOCUMENT NUMBER 95-1067 (LABEL SPECIFICATION).
8. IF ARTWORK LAYOUT IS NOT SUPPLIED BY LANDIS+GYR, THEN ARTWORK LAYOUT TO BE LOCATED AS SHOWN, AND TO BE APPROVED BY LANDIS + GYR ENGINEERING.

ESN: (hex)01A234BC/(dec)0123456789  
 GAP P/N REV

DETAIL A

<p>DO NOT SCALE DRAWING</p> <p>UNLESS OTHERWISE SPECIFIED: DIMENSIONS ARE IN INCHES (MM) DIMENSIONS ARE AFTER FINISH IS APPLIED ANGLE TOLERANCE DOES NOT APPLY TO IMPLIED 90° ANGLES TOLERANCES ON:</p> <p>DECIMAL FRACTION ANGLES          .1/16 1/32 1/64 1/2°</p> <p>MUST BE FREE FROM FLASH AND BURRS.          *BREAK ALL SHARP EDGES          ○ DENOTES REFERENCE ONLY.</p>		<p>TITLE: <b>Label, FCC, LAN Address, GAP</b></p>			
		<p>THIRD ANGLE PROJECTION</p>	<p>APPROVED BY: L. ABDUL-HADI</p>	<p>DATED: 10/18/11</p>	<p>SIZE: C</p>
<p>LANDIS+GYR CONFIDENTIAL INFORMATION:          THIS DOCUMENT CONTAINS INFORMATION PROPRIETARY TO LANDIS + GYR FAMILY OF COMPANIES, (WHICH INCLUDES THE COMPANIES FORMERLY KNOWN AS HUNT AND CELLNET) ANY USE OR DISCLOSURE WITHOUT WRITTEN PERMISSION IS PROHIBITED.</p>		<p>DRAWN BY: P. SPOKAS</p>	<p>DATED: 10/18/11</p>	<p>SHEET: 1 OF 1</p>	<p>REVISION: AE</p>
<p>DRAWING NO. <b>23-1238</b></p>					

D

D

C

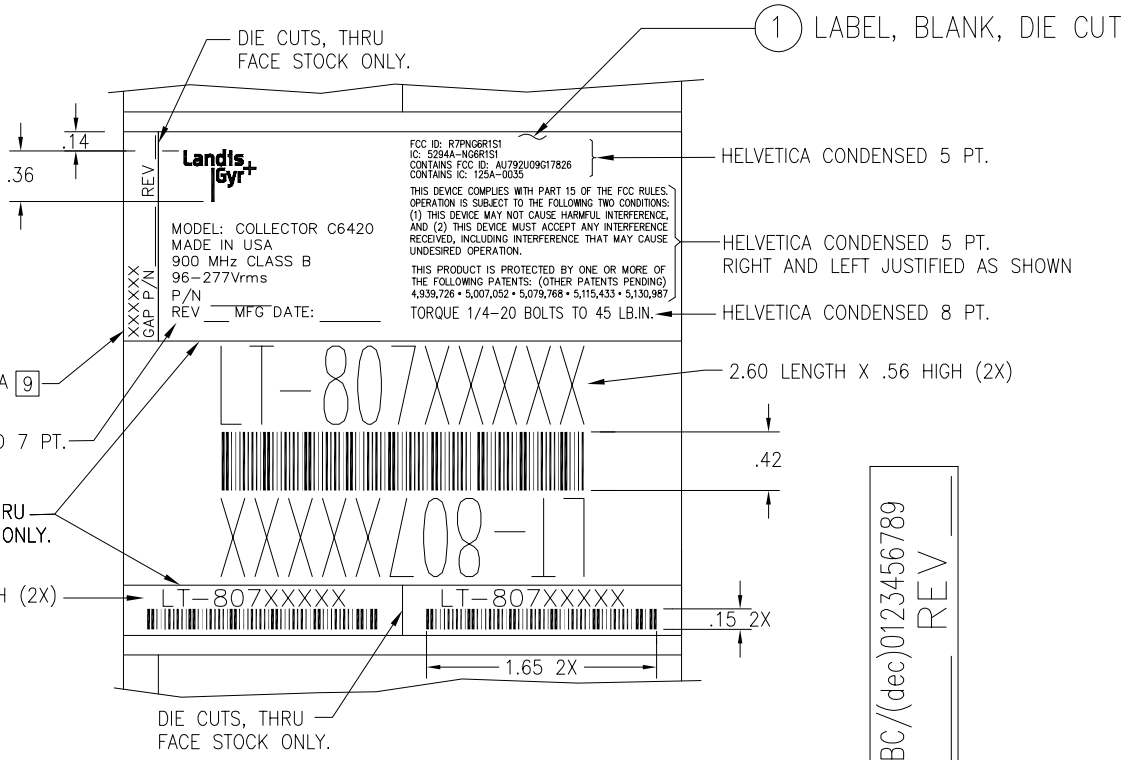
C

B

B

A

A



NOTES:

1. FINISH: PRINT PERMANENT BLACK INK
2. BARCODE: 39
3. LAN ADDRESS IS HEXADECIMAL. NUMBER RANGE BEGINS AT 80700000. BAR CODE REPRESENTS FIXED PREFIX "LT-" FOLLOWED BY HEXADECIMAL NUMBER "807XXXXX". CONTRACT MANUFACTURER TO MAINTAIN LOG OF SEQUENTIAL SERIAL NUMBERS.
4. LABEL FONT SHOWN IS USED TO DEFINE TEXT CONTENT ONLY. USE FONT SPECIFIED FOR ACTUAL LABELS.
5. PRINT ASSY PART NUMBER, CURRENT REV, AND MFG DATE IN FIELDS INDICATED.
6. THIS LABEL SHALL BE IN ACCORDANCE WITH DOCUMENT NUMBER 95-1062. SURFACES SHALL BE CONSIDERED "CLASS E" SURFACES UNLESS OTHERWISE SPECIFIED.
7. THIS LABEL SHALL BE IN ACCORDANCE WITH DOCUMENT NUMBER 95-1067 (LABEL SPECIFICATION).
8. IF ARTWORK LAYOUT IS NOT SUPPLIED BY LANDIS+GYR, THEN ARTWORK LAYOUT TO BE LOCATED AS SHOWN, AND TO BE APPROVED BY LANDIS + GYR ENGINEERING.

9. PRINT MODEM IMEI OR ESN NUMBER IN THE LOCATION SHOWN (E.G. IMEI: 012345012345012, OR ESN: (hex)01A234BC/(dec)01234567890)

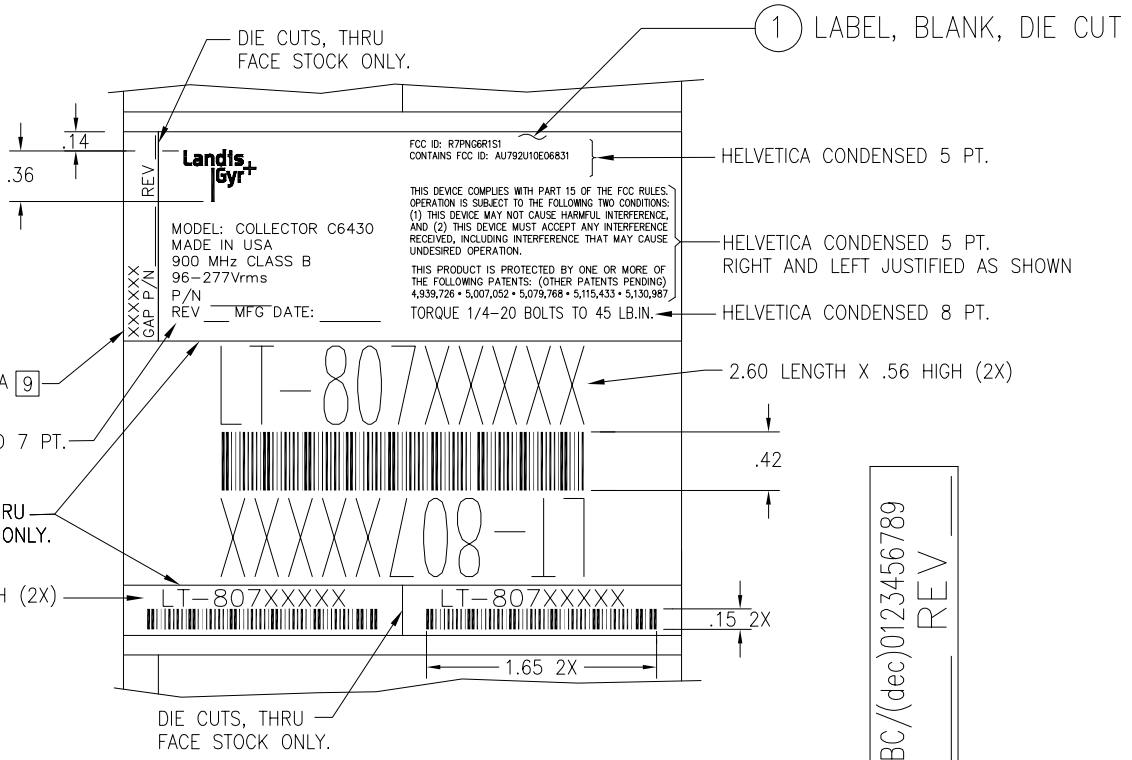
ESN: (hex)01A234BC/(dec)0123456789  
 GAP P/N REV

DETAIL A

<p>DO NOT SCALE DRAWING</p> <p>UNLESS OTHERWISE SPECIFIED: DIMENSIONS ARE IN INCHES (MM) DIMENSIONS ARE AFTER FINISH IS APPLIED ANGLE TOLERANCE DOES NOT APPLY TO IMPLIED 90° ANGLES TOLERANCES ON:</p> <p>DECIMAL FRACTION ANGLES          .1/16 ± .002 1/64 ± .002 1/8 ± .005 1/4 ± .005 1/2 ± .005 3/4 ± .005 1 ± .005 1.5 ± .005 2 ± .005 3 ± .005 4 ± .005 6 ± .005 8 ± .005 10 ± .005 12 ± .005 15 ± .005 20 ± .005 30 ± .005 40 ± .005 50 ± .005 60 ± .005 75 ± .005 90 ± .005 120 ± .005 150 ± .005 180 ± .005</p> <p>MUST BE FREE FROM FLASH AND BURRS.          *BREAK ALL SHARP EDGES          ○ DENOTES REFERENCE ONLY.</p>		<p>TITLE: <b>Label, FCC, LAN Address, GAP, C6420</b></p>			
		<p>THIRD ANGLE PROJECTION</p>	<p>APPROVED BY: T. WALTERS</p> <p>DRAWN BY: P. SPOKAS</p>	<p>DATED: 10/18/11</p> <p>DATED: 10/18/11</p>	<p>SIZE: C</p> <p>SHEET: 1 OF 1</p> <p>REVISION: AA</p>
<p>LANDIS+GYR CONFIDENTIAL INFORMATION: THIS DOCUMENT CONTAINS INFORMATION PROPRIETARY TO LANDIS + GYR FAMILY OF COMPANIES, (WHICH INCLUDES THE COMPANIES FORMERLY KNOWN AS HUNT AND CELLNET) ANY USE OR DISCLOSURE WITHOUT WRITTEN PERMISSION IS PROHIBITED.</p>		<p>DRAWING NO. <b>23-1356</b></p>			

D

D



C

C

NOTES:

1. FINISH: PRINT PERMANENT BLACK INK
2. BARCODE: 39
3. LAN ADDRESS IS HEXADECIMAL. NUMBER RANGE BEGINS AT 80700000. BAR CODE REPRESENTS FIXED PREFIX "LT-" FOLLOWED BY HEXADECIMAL NUMBER "807XXXXX". CONTRACT MANUFACTURER TO MAINTAIN LOG OF SEQUENTIAL SERIAL NUMBERS.
4. LABEL FONT SHOWN IS USED TO DEFINE TEXT CONTENT ONLY. USE FONT SPECIFIED FOR ACTUAL LABELS.
5. PRINT ASSY PART NUMBER, CURRENT REV, AND MFG DATE IN FIELDS INDICATED.
6. THIS LABEL SHALL BE IN ACCORDANCE WITH DOCUMENT NUMBER 95-1062. SURFACES SHALL BE CONSIDERED "CLASS E" SURFACES UNLESS OTHERWISE SPECIFIED.
7. THIS LABEL SHALL BE IN ACCORDANCE WITH DOCUMENT NUMBER 95-1067 (LABEL SPECIFICATION).
8. IF ARTWORK LAYOUT IS NOT SUPPLIED BY LANDIS+GYR, THEN ARTWORK LAYOUT TO BE LOCATED AS SHOWN, AND TO BE APPROVED BY LANDIS + GYR ENGINEERING.

A

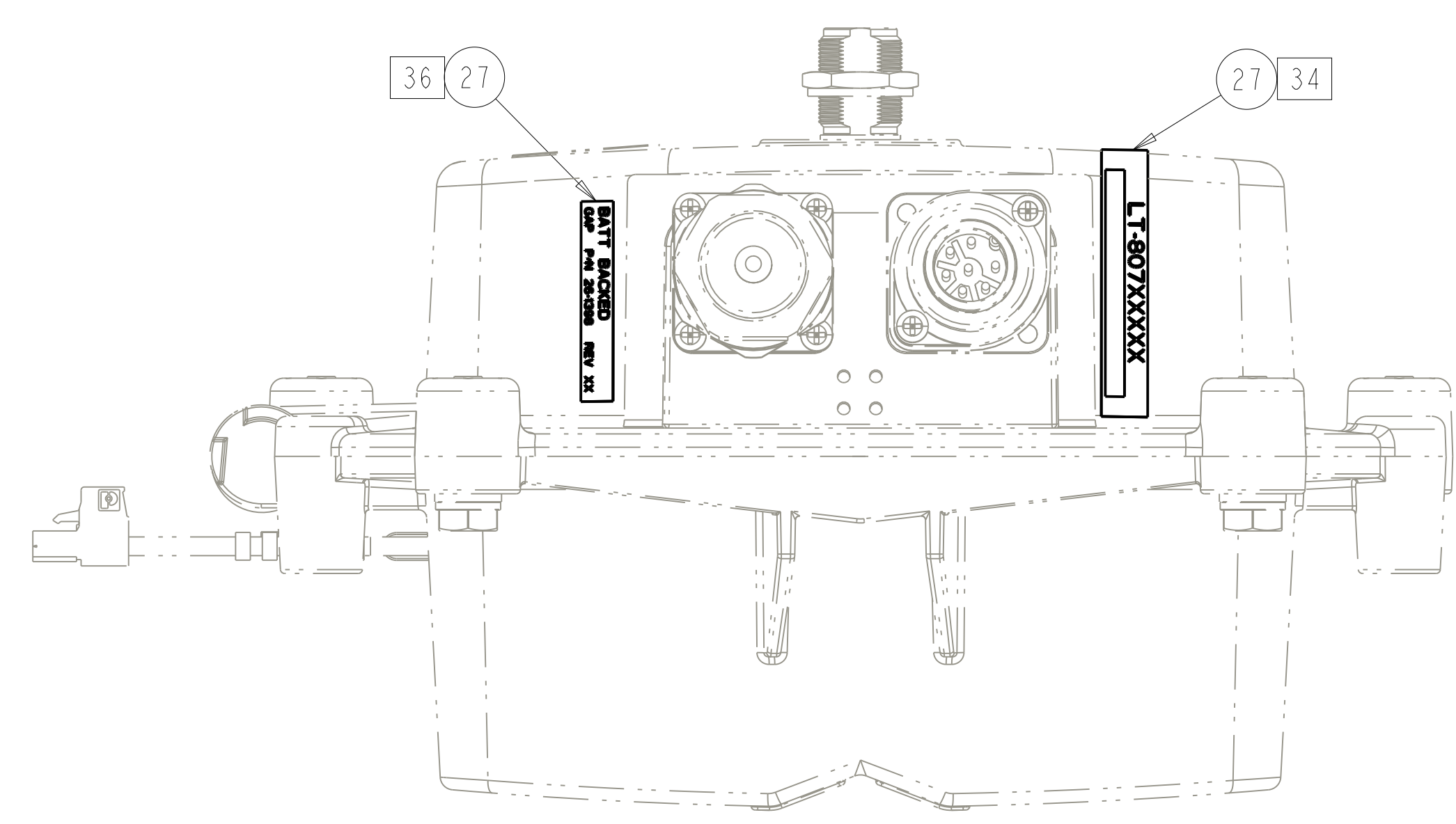
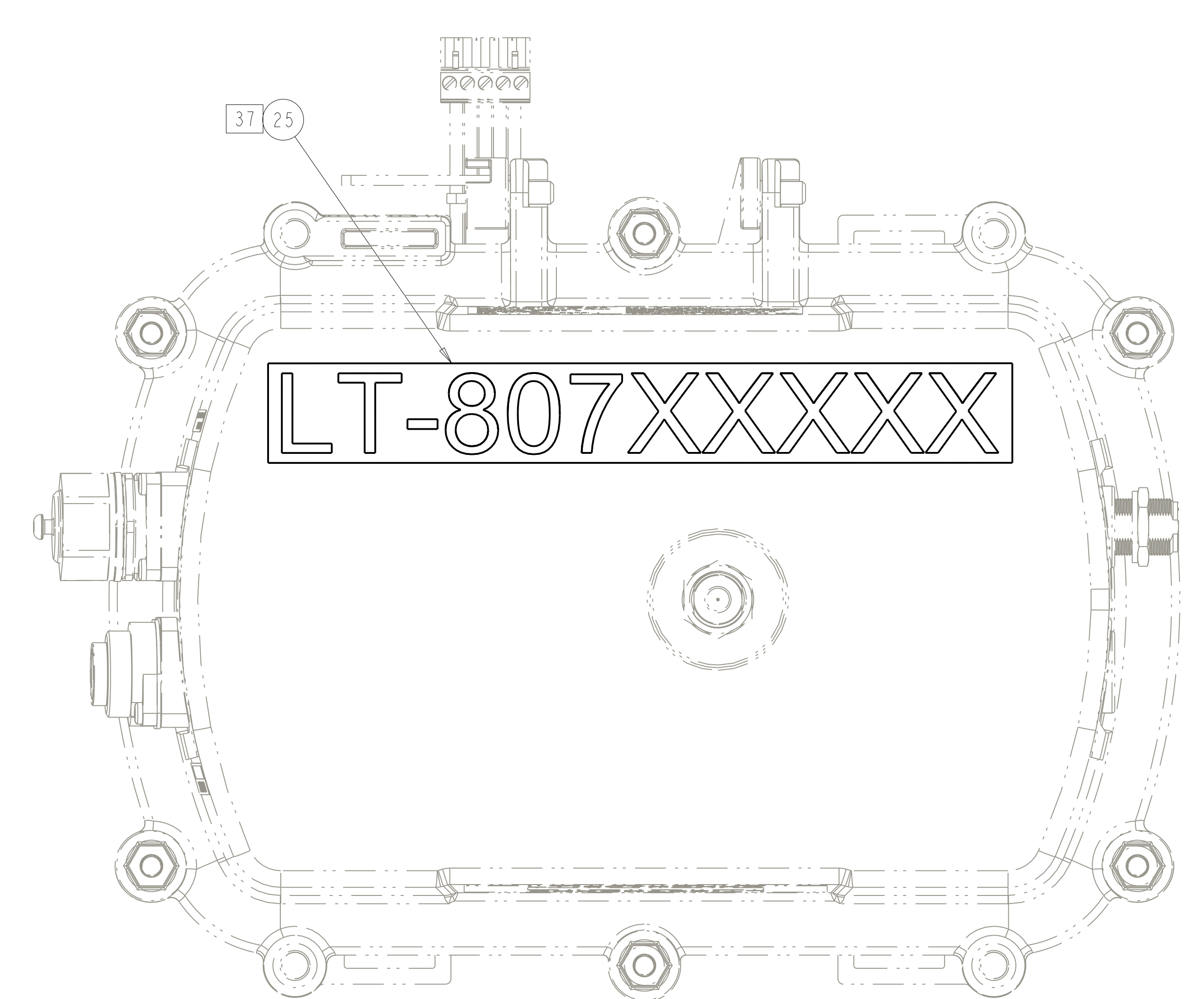
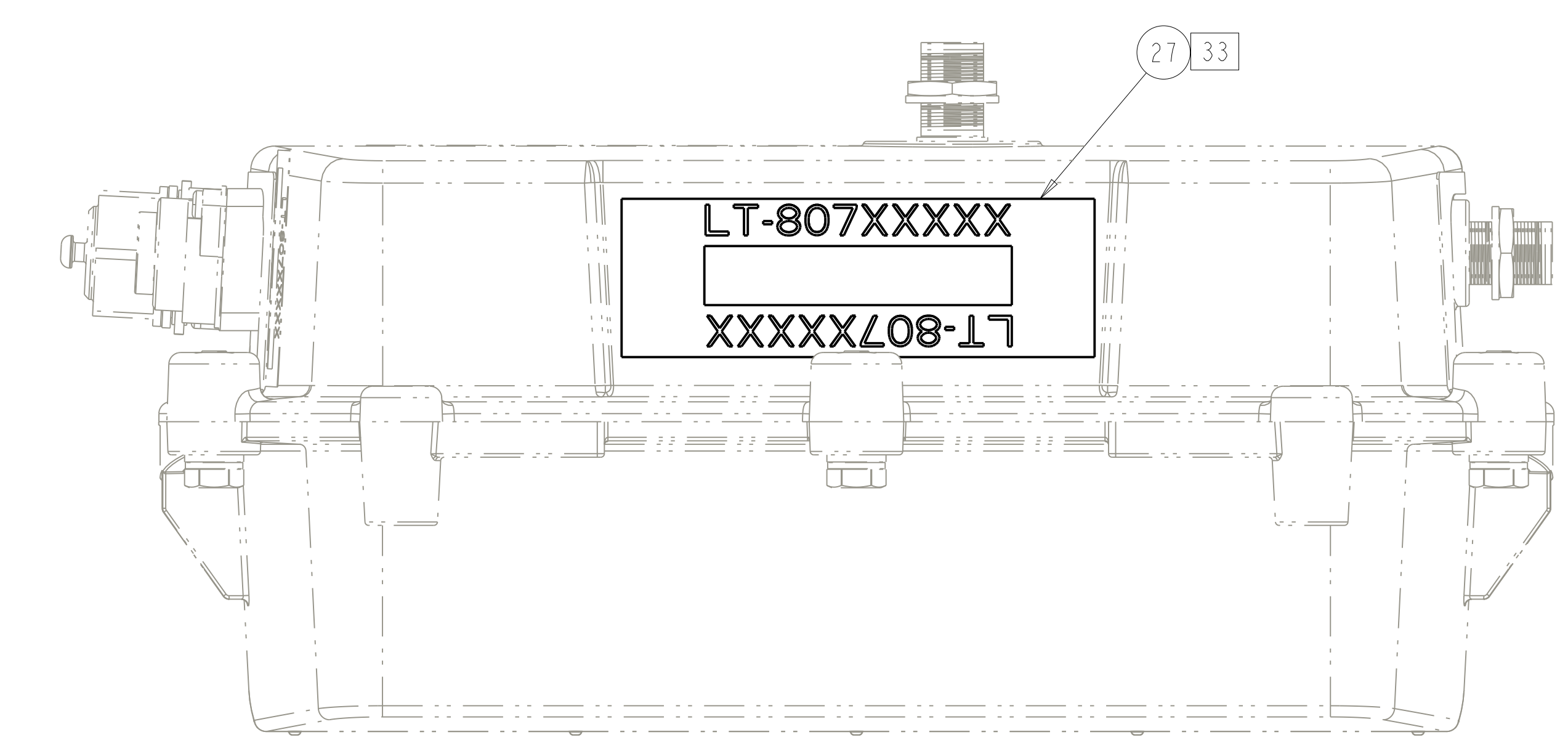
A

9. PRINT MODEM IMEI OR ESN NUMBER IN THE LOCATION SHOWN (E.G. IMEI: 012345012345012, OR ESN: (hex)01A234BC/(dec)01234567890)

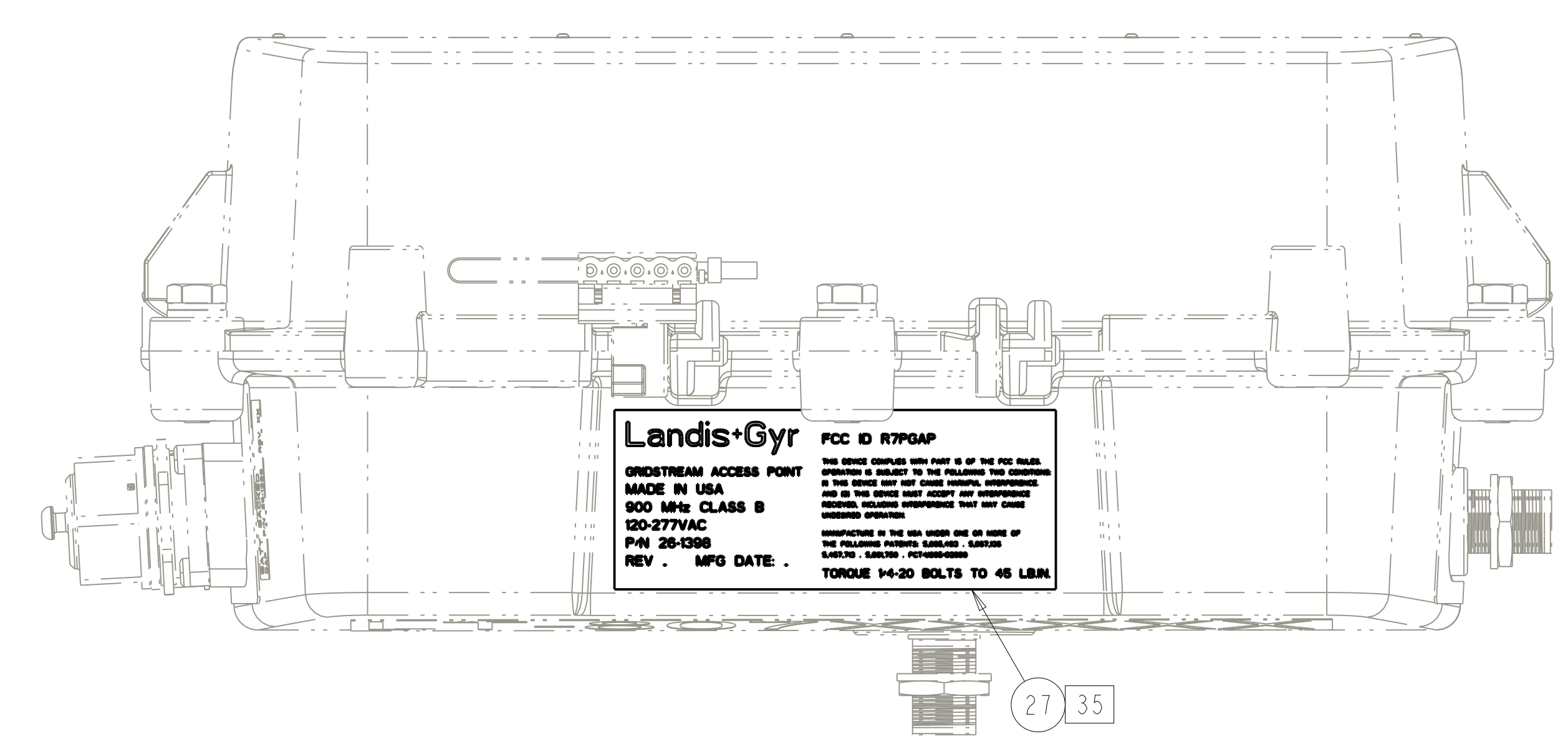
ESN: (hex)01A234BC/(dec)0123456789  
 GAP P/N REV

DETAIL A

DO NOT SCALE DRAWING UNLESS OTHERWISE SPECIFIED: DIMENSIONS ARE IN INCHES (MM) DIMENSIONS ARE AFTER FINISH IS APPLIED ANGLE TOLERANCE DOES NOT APPLY TO IMPLIED 90° ANGLES TOLERANCES ON: DECIMAL FRACTION ANGLES .1/ .12 1/64 1° .01 ± .005 .01 ± .005 MUST BE FREE FROM FLASH AND BURRS. *BREAK ALL SHARP EDGES ○ DENOTES REFERENCE ONLY.		TITLE: <b>Label, FCC, LAN Address, GAP, C6430</b>	
		THIRD ANGLE PROJECTION	APPROVED BY: T. WALTERS DRAWN BY: P. SPOKAS
<b>LANDIS+GYR CONFIDENTIAL INFORMATION:</b> THIS DOCUMENT CONTAINS INFORMATION PROPRIETARY TO LANDIS + GYR FAMILY OF COMPANIES, (WHICH INCLUDES THE COMPANIES FORMERLY KNOWN AS HUNT AND CELLNET) ANY USE OR DISCLOSURE WITHOUT WRITTEN PERMISSION IS PROHIBITED.		DATED: 10/18/11 DATED: 10/18/11	SIZE: C SHEET: 1 OF 1 REVISION: AA
		DRAWING NO. <b>23-1357</b>	



ASSEMBLY SEQUENCE #12



NOTES:

- 33. ATTACH LAN ID LABEL (PART OF 27) TO THE SIDE OF BASE (01) IN THE ORIENTATION AND LOCATION SHOWN.
- 34. ATTACH SMALL LAN ID LABEL (PART OF 27 ) TO THE TOP SIDE OF BASE (01) IN THE ORIENTATION AND LOCATION SHOWN.
- 35. ATTACH FCC LABEL (PART OF 27) TO THE SIDE OF BASE (01) IN THE ORIENTATION AND LOCATION SHOWN.
- 36. ATTACH GAP/PART NUMBER LABEL (PART OF 27) TO THE TOP SIDE OF BASE (01) IN THE ORIENTATION AND LOCATION SHOWN.
- 37. ATTACH LARGE LAN ID LABEL (25) TO THE BOTTOM SIDE OF BASE (01) IN THE ORIENTATION AND LOCATION SHOWN.

TITLE:	ASSY DRW, GRIDSTREAM ACCESS POINT	SHEET:	8 OF 8
LANDIS+GYR CONFIDENTIAL INFORMATION: THIS DOCUMENT CONTAINS INFORMATION PROPRIETARY TO LANDIS + GYR FAMILY OF COMPANIES, WHICH INCLUDES THE COMPANIES FORMERLY KNOWN AS HUNT AND CELLNET) ANY USE OR DISCLOSURE WITHOUT WRITTEN PERMISSION IS PROHIBITED.	DRAWING NO.	72-1398	REVISION:
			AF