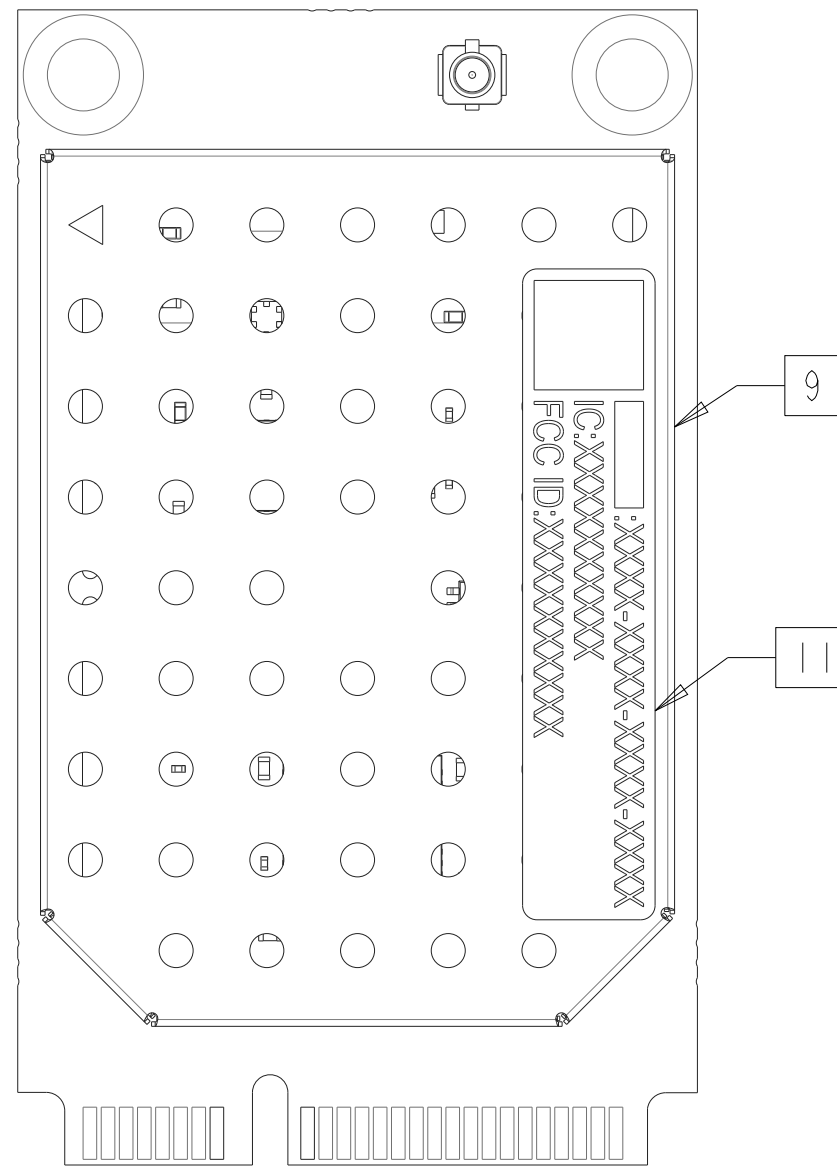
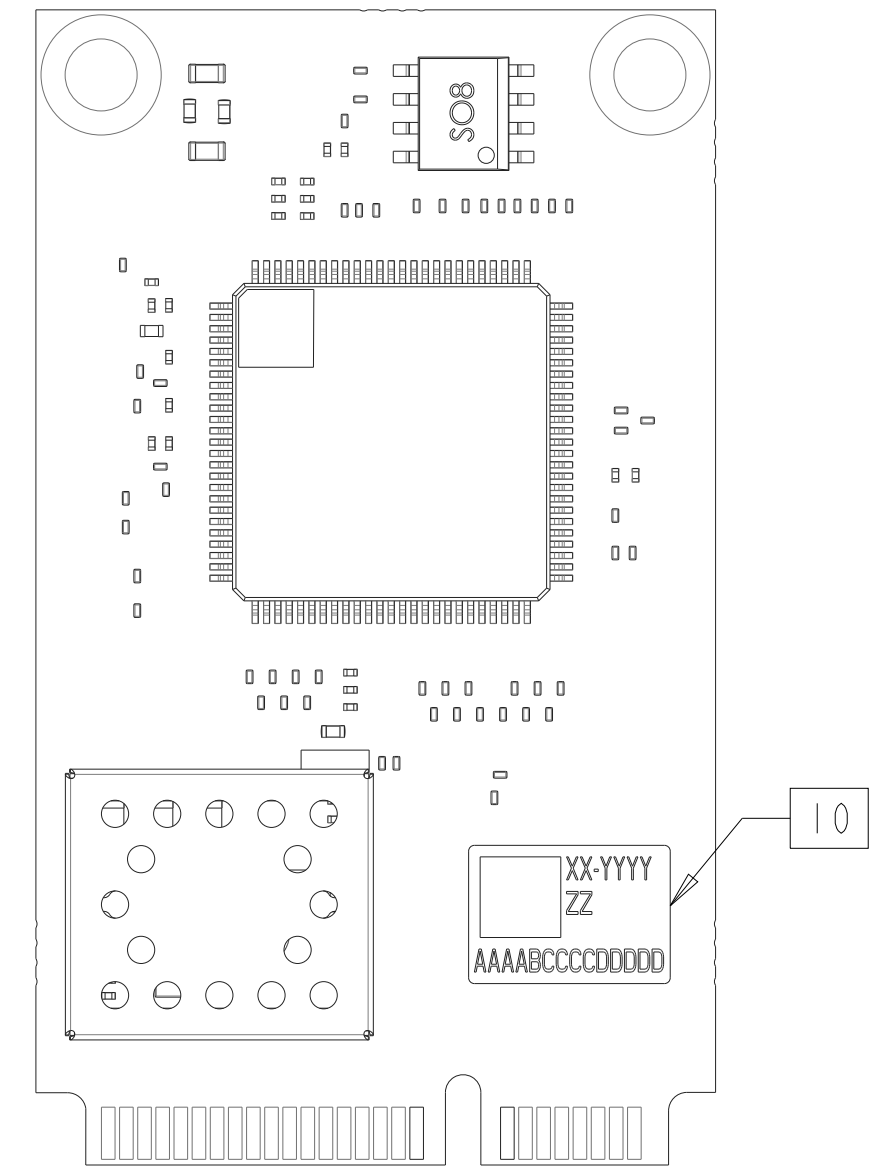
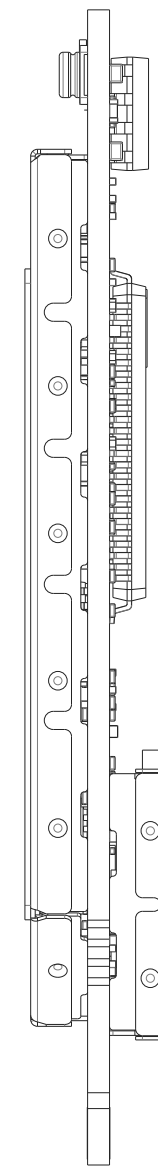


TOP SIDE



TOP SIDE



BOTTOM SIDE

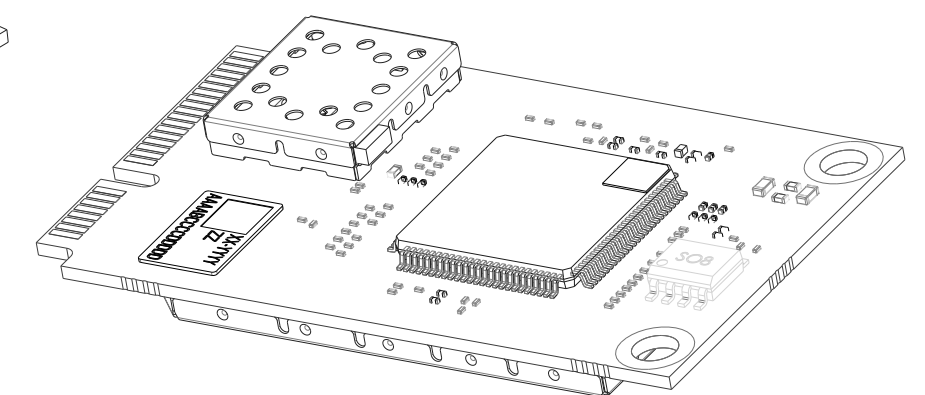
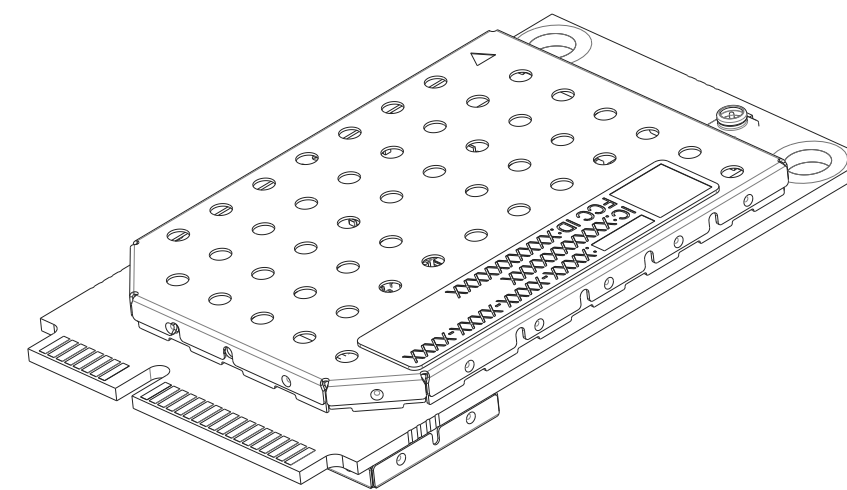
NOTES:

1. THIS ASSEMBLY SHALL BE IN ACCORDANCE WITH DOCUMENT NUMBER 95-1062. SURFACES SHALL BE CONSIDERED "CLASS C" SURFACES UNLESS OTHERWISE SPECIFIED.
2. ONLY APPROVED SOURCES PER BILL OF MATERIAL TO BE USED.
3. THIS ASSEMBLY TO BE BUILT IN THE ORDER OF PRECEDENCE: THIS DRAWING SPECIFICATION, THEN THE IPC-A-610 LATEST REVISION CLASS 2.
4. DISREGARD SECTION 12.4 (HIGH VOLTAGE -THROUGH HOLE CONNECTIONS) FOR IPC-A-610 LATEST REVISION.
5. ONLY USE ROHS COMPLIANT, 100% LEAD-FREE SOLDER.
6. FOR A COMPREHENSIVE PARTS PLACEMENT DRAWING, REFER TO THE PDF WITHIN THE GERBER FILES. SOME COMPONENTS VISIBLE MAY NOT BE POPULATED.
7. UNPLACED COMPONENTS WITH THRU HOLES SHOULD BE MASKED OFF PRIOR TO WAVE SOLDERING OPERATION IN ORDER TO PREVENT ACCUMULATION OF SOLDER IN HOLES.
8. FABRICATE IN ACCORDANCE WITH LANDIS+GYR CLEANLINESS REQUIREMENT 89-1132.

9. ATTACH RF SHIELD COVER (SHLD2) TO THE SHIELD FRAME (SHLD1).

10. APPLY PCB ID LABEL (LBL1) APPROXIMATELY WHERE SHOWN.

11. APPLY LAN ID LABEL (LBL2) APPROXIMATELY WHERE SHOWN.



DO NOT SCALE DRAWING		TITLE: PCBA DRAWING, OFDM RADIO	
UNLESS OTHERWISE SPECIFIED: DIMENSIONS ARE IN INCHES [MM] DIMENSIONS ARE AFTER FINISH IS APPLIED ANGLE TOLERANCE DOES NOT APPLY TO IMPLIED 90° ANGLES TOLERANCES ON: DECIMAL FRACTION ANGLES 1PL ± .1 ±1/64 ±1° 2PL ± .02 3PL ± .005 MUST BE FREE FROM FLASH AND BURRS. BREAK ALL SHARP EDGES. () DENOTES REFERENCE ONLY.			APPROVED BY: M. BERKOBIN DATED: 10/25/19 DRAWN BY: P. SPOKAS DATED: 10/25/19
LANDIS+GYR CONFIDENTIAL INFORMATION: THIS DOCUMENT CONTAINS INFORMATION PROPRIETARY TO LANDIS + GYR FAMILY OF COMPANIES. (WHICH INCLUDES THE COMPANIES FORMERLY KNOWN AS HUNT AND CELLNET) ANY USE OR DISCLOSURE WITHOUT WRITTEN PERMISSION IS PROHIBITED.		THIRD ANGLE PROJECTION 	SIZE: C SHEET: 1 OF 1 DRAWING NO. 73-2060 REVISION: AD