



Coverage.
Performance.
Smart.

**Antenna
ET900SLGADB**

**Airgain
Outdoor
Antenna
Engineering
Data Sheet**

3611 Valley Centre Drive, Suite 150
San Diego, CA 92130 USA
Tel: +1 760 579 0200
Fax: +1 760 579 0892
Information: info@airgain.com
Sales: sales@airgain.com
Support: support@airgain.com

Revision History (Required)

Revision	Date	Note
2597C-02-00-001-1 Rev. 1.0	August 15, 2019	Preliminary Datasheet 1.0

Disclaimers

The information in this document is provided in connection with Airgain Antenna products and is proprietary and confidential. Airgain may make changes at any time, without notice.

Please verify with Airgain before finalizing a product design.

Contents

1. Airgain ET900SLGADB Outdoor Antenna	4
2. Features.....	4
3. Specifications and Interface.....	6
4. Radiation Patterns – Vertical Mounting	6
5. Dimensions	8

Figures

Figure 1: Model ET900SLGADB Outdoor Antenna.....	5
Figure 2: Model ET900SLGADB Measured Radiation Patterns at 910MHz	7
Figure 3: Model ET900SLGADB Dimensions	8

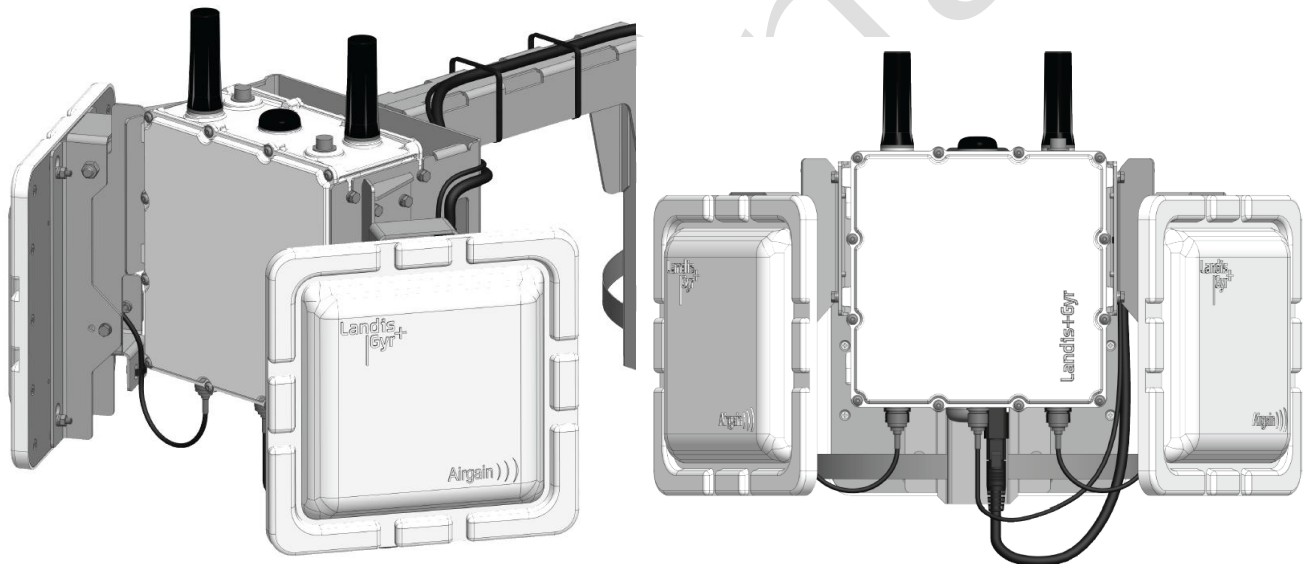
1. Airgain ET900SLGADB Outdoor Antenna

The Model ET900SLGADB is a directional high performance antenna for the 900MHz LoRa band. This antenna is designed to accommodate outdoor communications including LoRa protocol for Internet of Things (IOT)

2. Features

The Model ET900SLGADB base station antenna is defined by the following features:

- Directional PATCH antenna
- LoRa IOT Band Coverage (902-928MHz)
- High efficiency



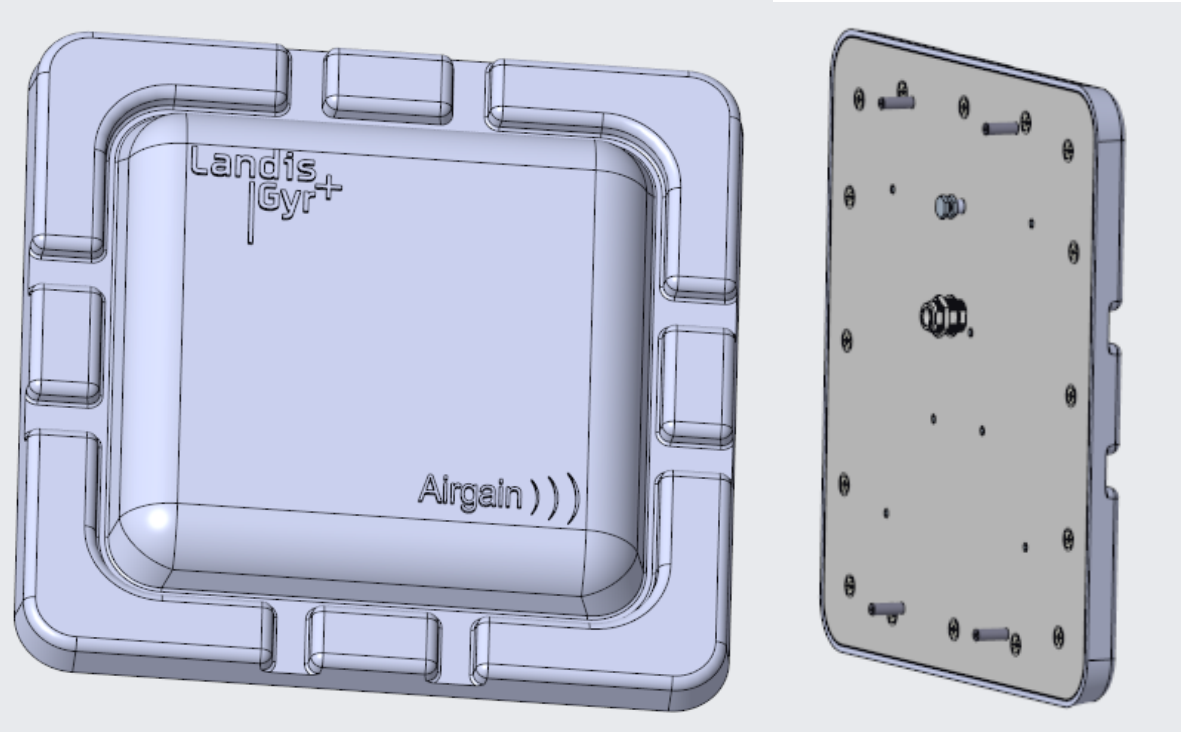
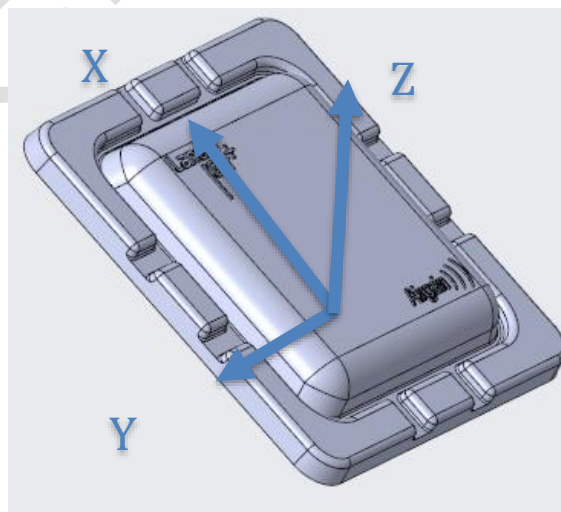


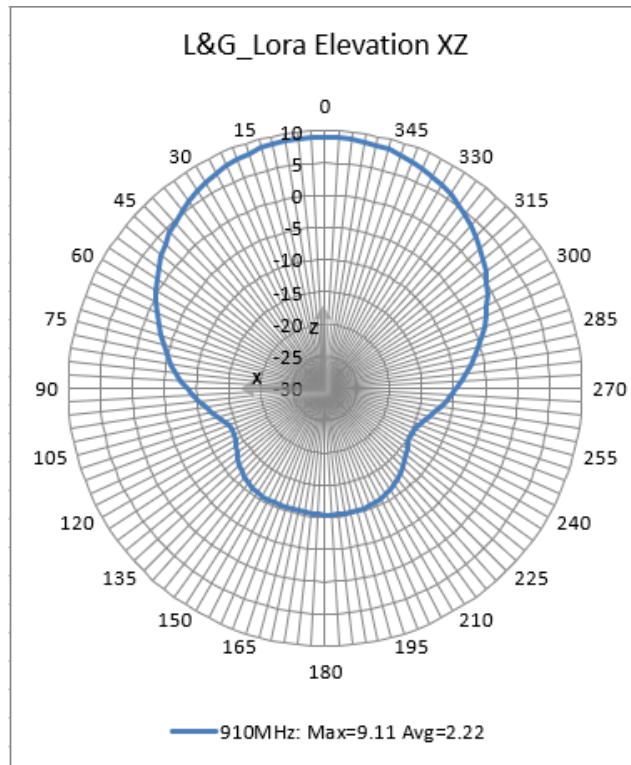
Figure 1: Model ET900SLGADB Outdoor Antenna

3. Specifications and Interface

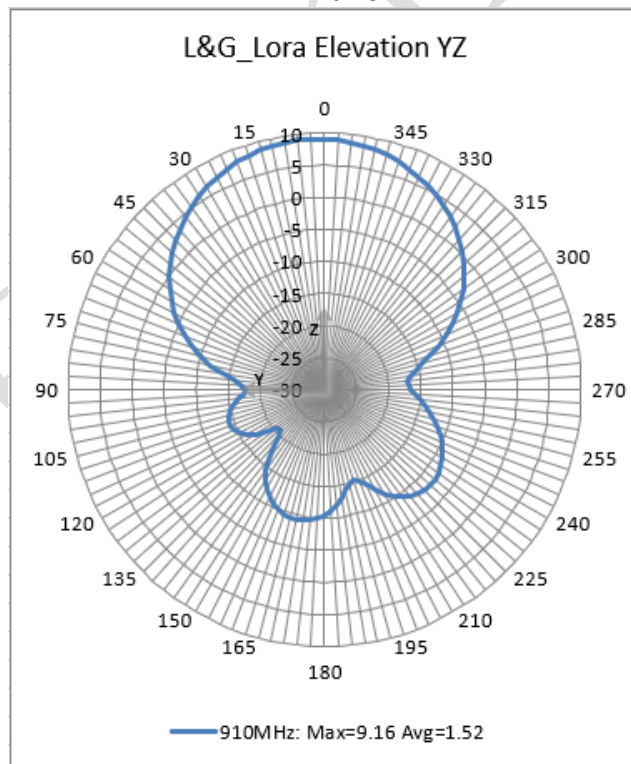
Frequency range	902-928 MHz	
Peak gain	9.0 dBi @910 MHz,	
Return Loss	< -10 dB@ Single antenna	< -10 dB@ 3-sector antenna
Isolation	> 60dB@ pol to pol isolation	
3dB beam width(V)	65°	
3dB beam width(H)	65°	
Feed impedance	50 ohms	
Power handling	5 Watts	
Interface	50 ohms, N-Female	
Enclosure rating	Weather resistant UV stable	
Radome material	ASA	
Antenna dimensions	307.5 x307.5 x 36.2 mm	
Weight	0.8kg	
Temperature range	Operating -40°C to +85°C	
Environment	Outdoor Mounted	
waterproof grade	IP67	
RoHS	RoHS compliant	
Lightning protection	DC ground	

4. Radiation Patterns – Vertical Mounting





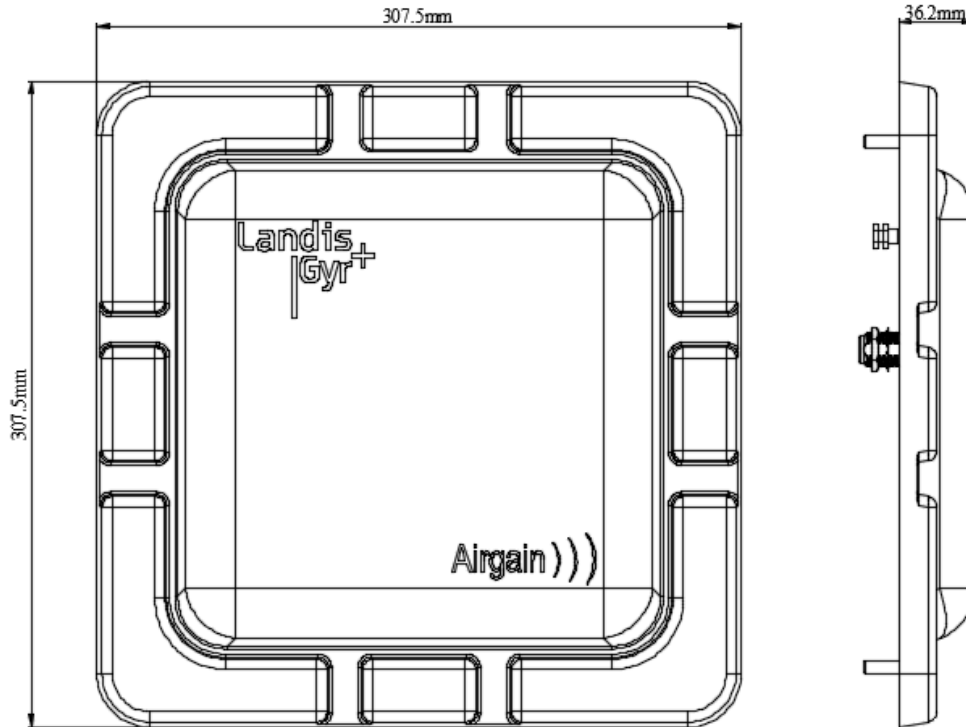
H-Plane



E-Plane

Figure 2: Model ET900SLGADB Measured Radiation Patterns at 910MHz

5. Dimensions



Unless otherwise specified, tolerances are $\pm 0.5\text{mm}$

Figure 3: Model ET900SLGADB Dimensions