



Excellence in Compliance Testing

Certification Exhibit

**FCC ID: R7PGRAMCNLX1
IC: 5294A-GRAMCNLX1**

**FCC Rule Part: 15.247
IC Radio Standards Specification: RSS-210**

ACS Report Number: 08-0433 - 15C

Manufacturer: Cellnet Technology, Inc.
Model: GasLX Residential American

Label Information

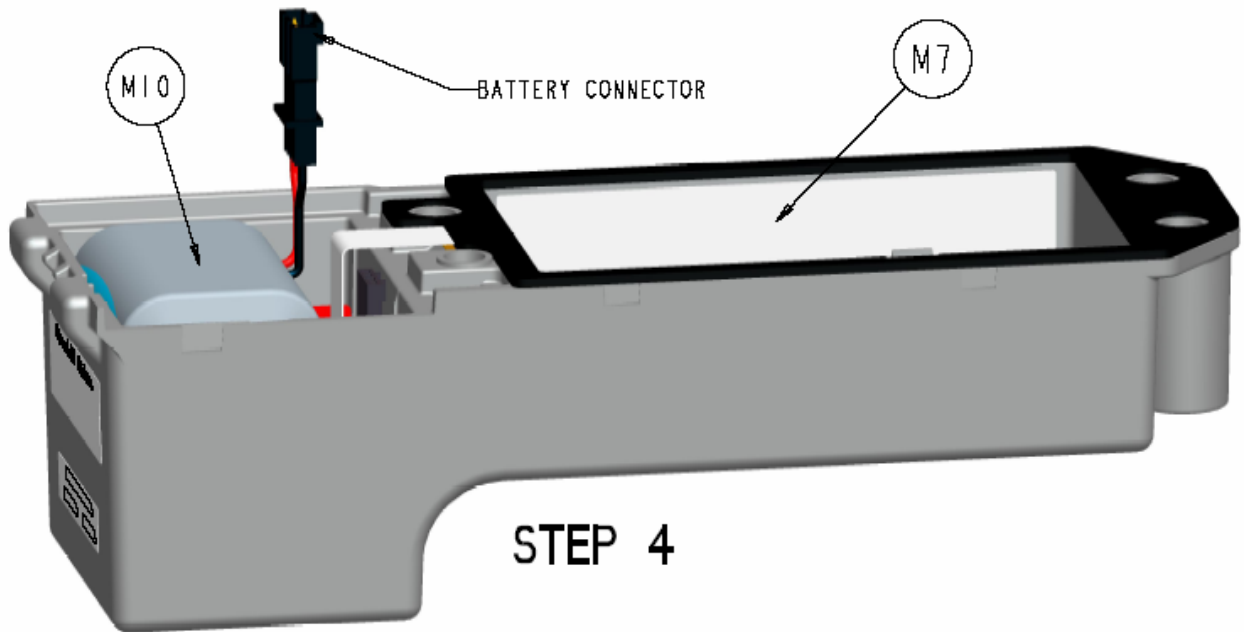
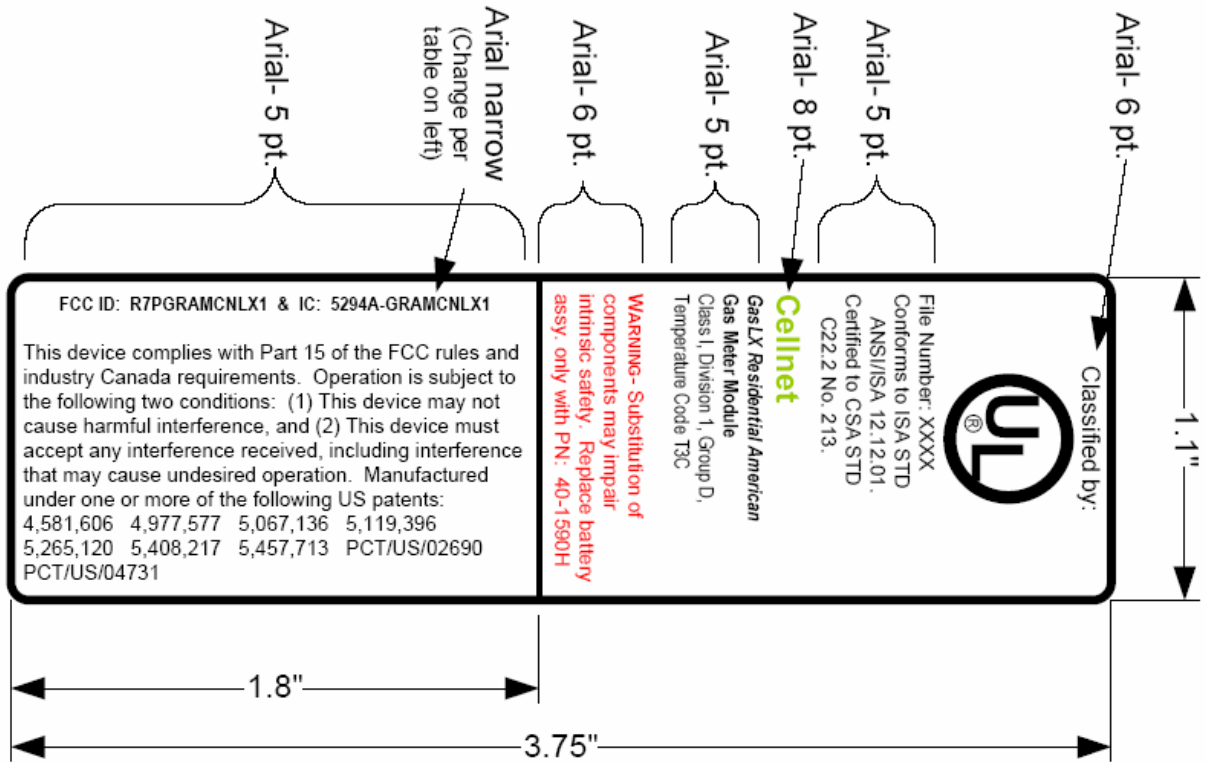


Figure 2: Label Sample (M7 is Label Location)

NOTE: Label text is visible from device exterior