



Excellence in Compliance Testing

Certification Exhibit

FCC ID: R7PCONCS4B5

FCC Rule Part: 15.247

ACS Project Number: 12-0408

Manufacturer: Landis+Gyr Technology, Inc.
Model: Series-4 Conc., BLT-5

Label Information

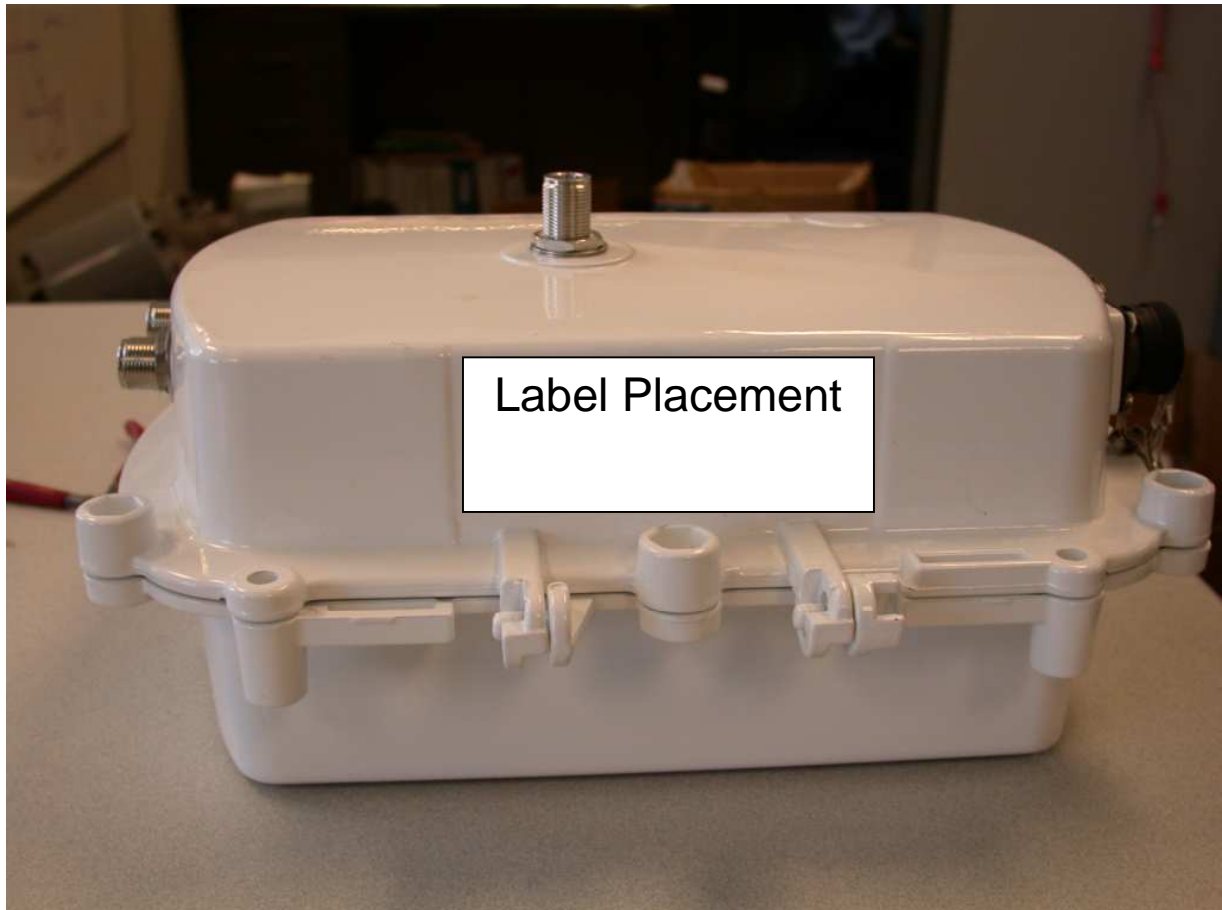


Figure 1: Label Placement on EUT

D

D

C

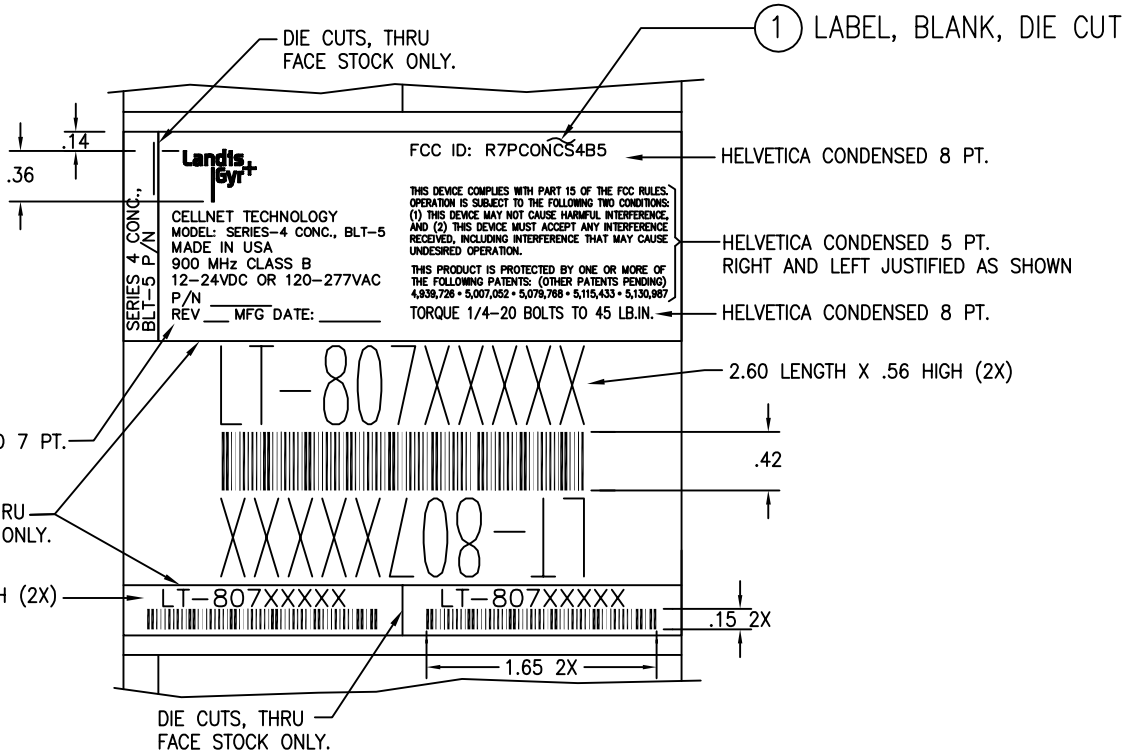
C

B

B

A

A



NOTES:

1. FINISH: PRINT PERMANENT BLACK INK
2. BARCODE: 39
3. LAN ADDRESS IS HEXADECIMAL. NUMBER RANGE BEGINS AT 80700000. BAR CODE REPRESENTS FIXED PREFIX "LT-" FOLLOWED BY HEXADECIMAL NUMBER "807XXXXX". CONTRACT MANUFACTURER TO MAINTAIN LOG OF SEQUENTIAL SERIAL NUMBERS.
4. LABEL FONT SHOWN IS USED TO DEFINE TEXT CONTENT ONLY. USE FONT SPECIFIED FOR ACTUAL LABELS.
5. PRINT ASSY PART NUMBER, CURRENT REV AND MFG DATE IN FIELDS INDICATED.
6. THIS LABEL SHALL BE IN ACCORDANCE WITH DOCUMENT NUMBER 95-1062. SURFACES SHALL BE CONSIDERED "CLASS E" SURFACES UNLESS OTHERWISE SPECIFIED.
7. THIS LABEL SHALL BE IN ACCORDANCE WITH DOCUMENT NUMBER 95-1067 (LABEL SPECIFICATION).
8. IF ARTWORK LAYOUT IS NOT SUPPLIED BY LANDIS+GYR, THEN ARTWORK LAYOUT TO BE LOCATED AS SHOWN, AND TO BE APPROVED BY LANDIS + GYR ENGINEERING.

<p>DO NOT SCALE DRAWING</p> <p>UNLESS OTHERWISE SPECIFIED, DIMENSIONS ARE IN INCHES (MM) DIMENSIONS ARE AFTER FINISH IS APPLIED ANGLE TOLERANCE DOES NOT APPLY TO IMPLIED 90° ANGLES</p> <p>TOLERANCES: DIM ANGLES</p> <p>DECIMAL FRACTION ANGLES</p> <p>±.1 ±.12 ±.15 1/64 1/32 1/16</p> <p>MUST BE FREE FROM FLASH AND BURRS. BREAK ALL SHARP EDGES. O DENOTES REFERENCE ONLY.</p>		<p>TITLE: LABEL, FCC & LAN ADDRESS, CONCENTRATOR, SERIES 4, BLT5</p>	
		<p>THIRD ANGLE PROJECTION</p>	<p>APPROVED BY: L. ABDUL-HADI</p> <p>DRAWN BY: C. BRITTON</p>
<p>LANDIS+GYR CONFIDENTIAL INFORMATION: THIS DOCUMENT CONTAINS INFORMATION PROPRIETARY TO LANDIS + GYR FAMILY OF COMPANIES, (WHICH INCLUDES THE COMPANIES FORMERLY KNOWN AS HUNT AND CELLNET) ANY USE OR DISCLOSURE WITHOUT WRITTEN PERMISSION IS PROHIBITED.</p>		<p>DATED: 03/14/12</p> <p>DATED: 03/14/12</p>	<p>SIZE: C</p> <p>SHEET: 1 OF 1</p> <p>REVISION: AB</p>
		<p>DRAWING NO. 23-1418</p>	