

# **FCC Part 15 Subpart C Transmitter Certification**

**Composite Device**

## **Test Report**

**FCC ID: R7P26-1129-01**

**FCC Rule Part: 15.247**

**ACS Report Number(s):  
05-0384-15C-DSS  
05-0384-15C-DTS**

Manufacturer: Cellnet Technology, Inc.  
Trade Name: InfiNet Concentrator  
Model: 26-1129

## **Label Information**



Figure 1: Label Location

4

3

2

1

CONFIDENTIAL AND PROPRIETARY INFORMATION NOTICE

THIS DOCUMENT CONTAINS TRADE SECRETS AND CONFIDENTIAL INFORMATION OF CELLNET AND SHALL NOT BE DUPLICATED IN WHOLE OR IN PART, USED OR DISCLOSED FOR ANY PURPOSE OTHER THAN THAT APPROVED BY CELLNET.

REVISIONS				
ZONE	REV	DESCRIPTION	DATE	APPROVED
	AA	RELEASED IN-DESIGN PER ECO #046444.	10/17/05	NSF
	AB	REVISED IN-DESIGN PER ECO #046449.	10/21/05	NSF

D

D

C

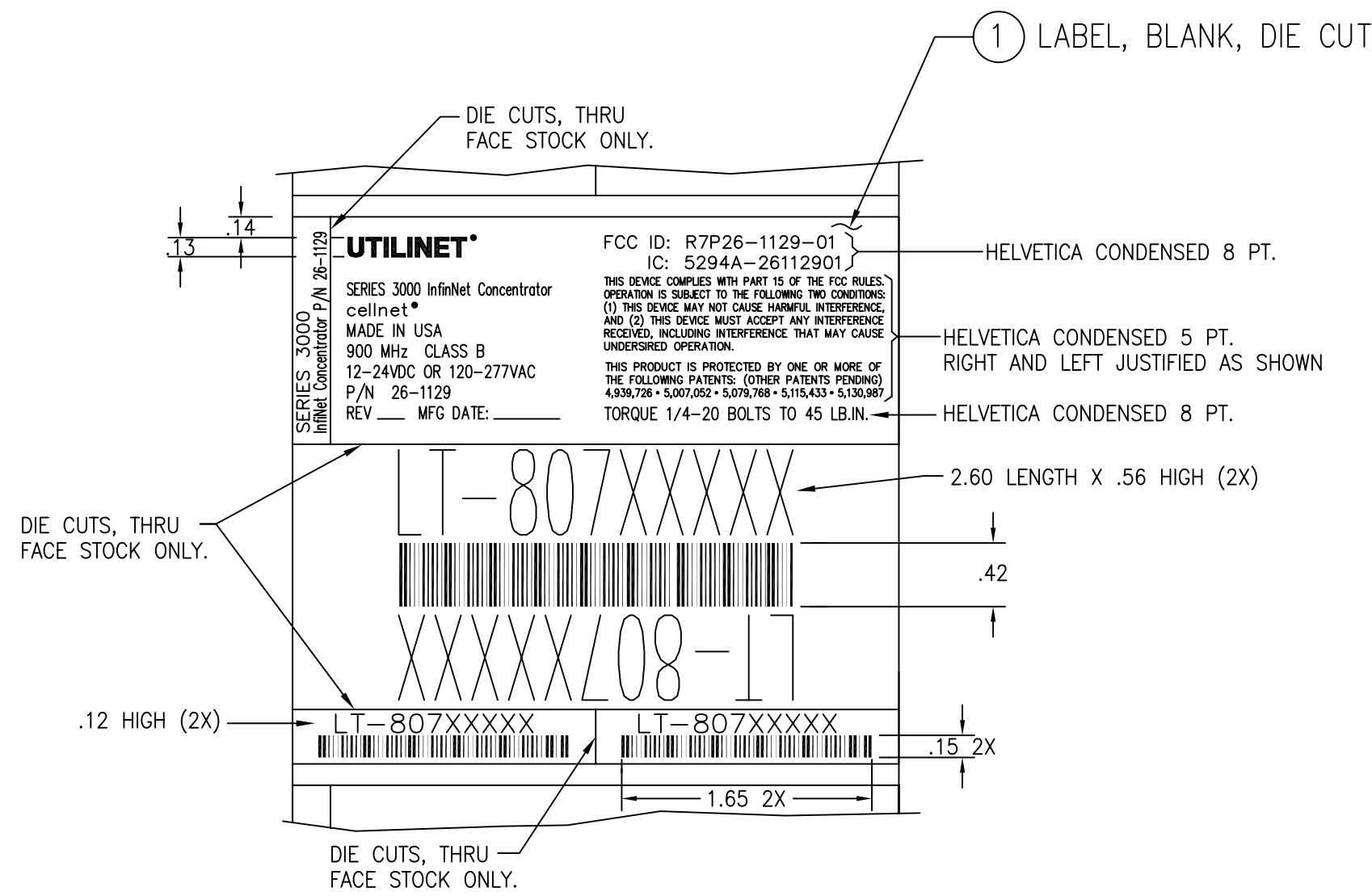
C

B

B

A

A



① LABEL, BLANK, DIE CUT

NOTES:

1. FINISH: PRINT PERMANENT BLACK INK
2. BARCODE: 39
3. LAN ADDRESS IS HEXIDECIMAL. NUMBER RANGE BEGINS AT 80700000. BAR CODE REPRESENTS FIXED PREFIX "LT-" FOLLOWED BY HEXIDECIMAL NUMBER "807XXXXX". GMI TO MAINTAIN LOG OF SEQUENTIAL SERIAL NUMBERS.
4. LABEL FONT SHOWN IS USED TO DEFINE TEXT CONTENT ONLY. USE FONT SPECIFIED FOR ACTUAL LABELS.
5. PRINT CURRENT REV AND MFG DATE (MM/YY) IN FIELDS INDICATED.

UNLESS OTHERWISE SPECIFIED:  
 1. DIMS. ARE AFTER FINISH  
 2. DIMS ARE IN INCHES [MM]  
 3. TOLERANCES FOR DIMENSIONED FEATURES:  
 .X ± 0.0  
 .XX ± 0.00  
 .XXX ± 0.000  
 X" ± 0"  
 X.X" ± 0.0"  
 4. ANGLE TOLERANCE DOES NOT APPLY TO IMPLIED 90° ANGLES  
 5. DIMENSIONING AND TOLERANCING TO BE IN ACCORDANCE WITH ASME Y14.5M-1994

APPROVALS	DATE	MATERIAL: SEE BOM	SIZE:
DRAWN BY: N. FREUND	10/17/05	FINISH:	SCALE: NOT TO SCALE
CHECKED BY: J. REY	10/17/05	<b>cellnet</b>	
RELEASED FOR INFO.			
APPROVED BY: J. REY	10/17/05	TITLE: LABEL, FCC & LAN ADDRESS, INFINET CONCENTRATOR P1	
		PROJECT ENG: J. REY	SHEET: 1 OF 1
		© 2004 cellnet	DRW. NO. 23-1065

4

3

2

1