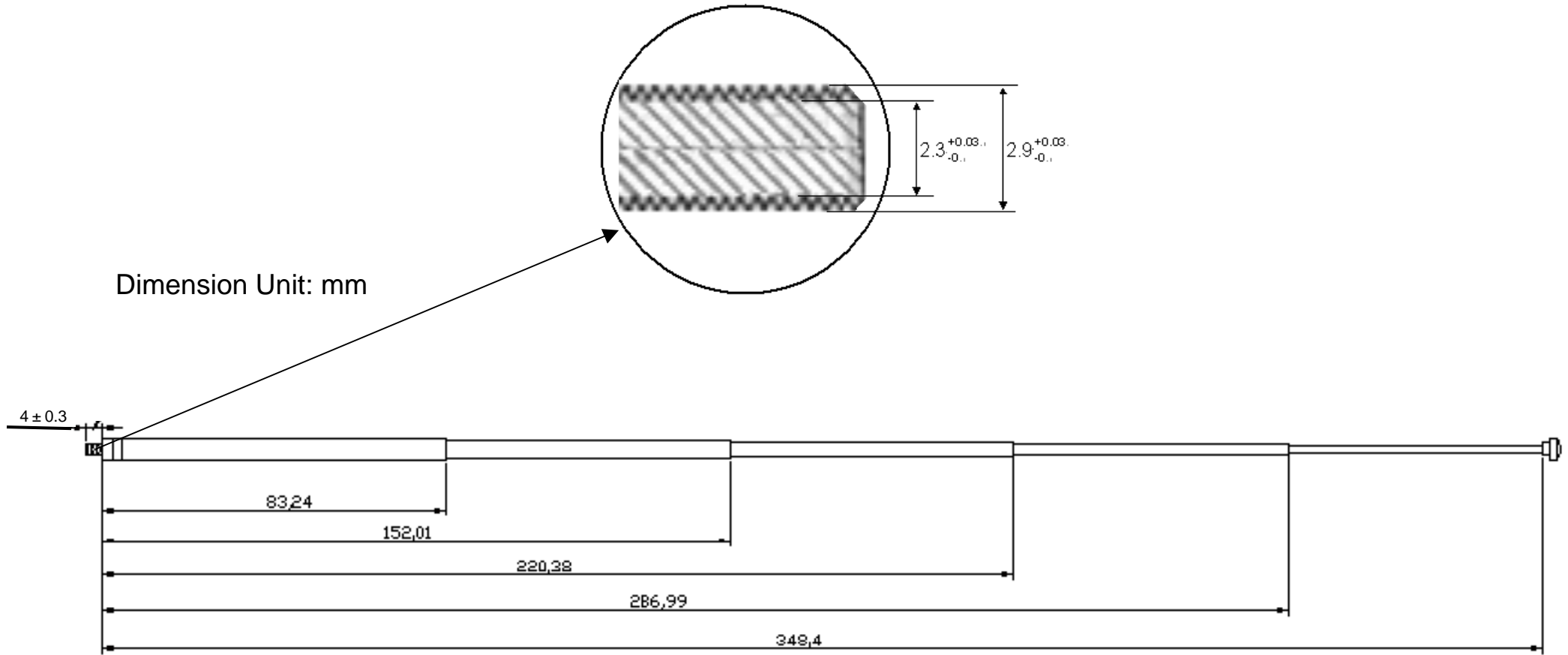
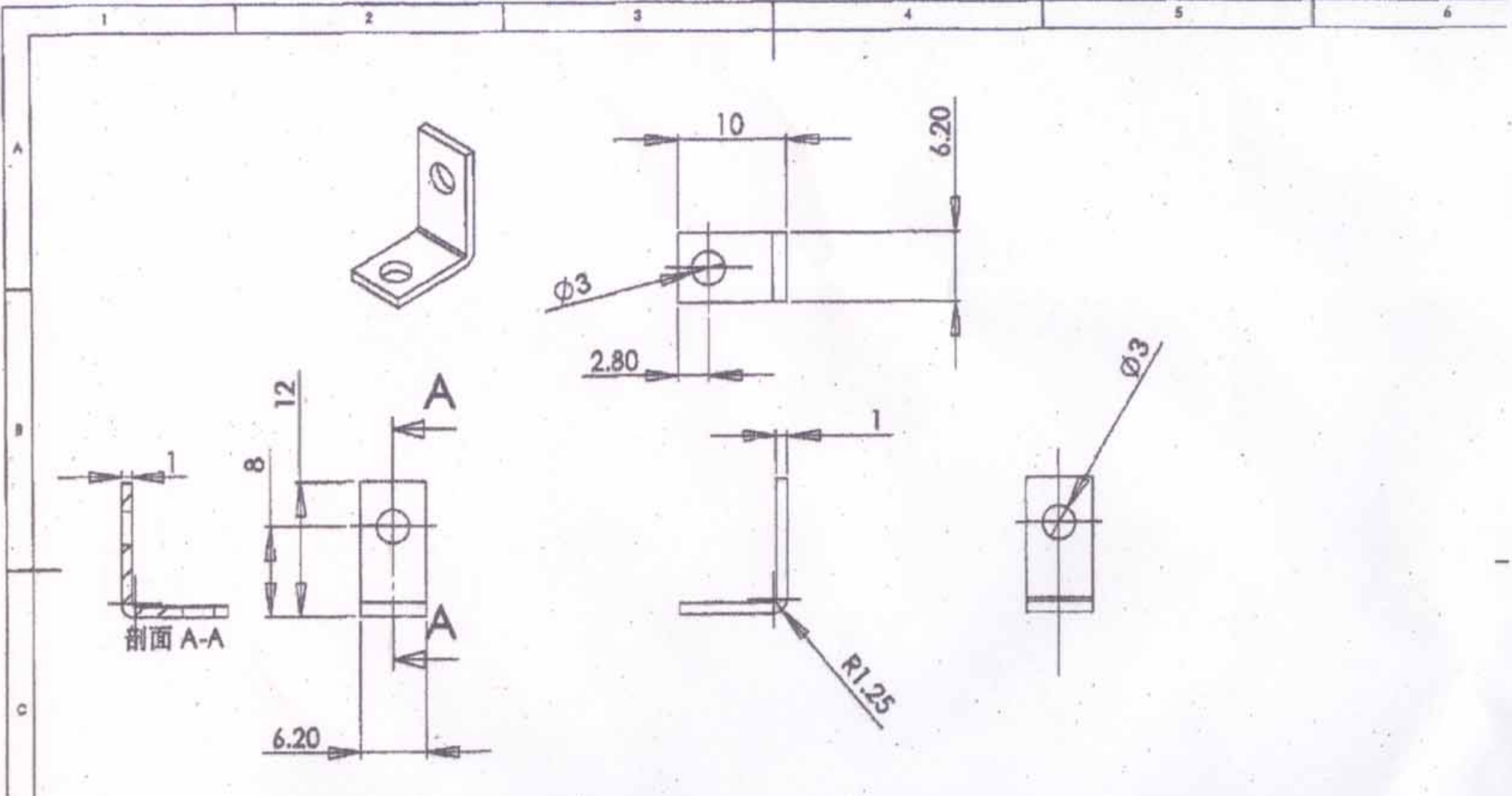


# Antenna Construction Diagram





UNLESS OTHERWISE SPECIFIED: DIMENSIONS ARE IN MILLIMETERS SURFACE FINISH: TOLERANCES: LINEAR: ANGULAR:				FINISH:		DEBUR AND BREAK SHARP EDGES		DO NOT SCALE DRAWING		REVISION	
DRAWN				NAME		SIGNATURE		DATE		TITLE	
CHKD											
APPVD											
MFG											
Q.A								MATERIAL:		DWG NO.	
								WEIGHT:		SCALE: 2:1	
										SHEET 1 OF 1	