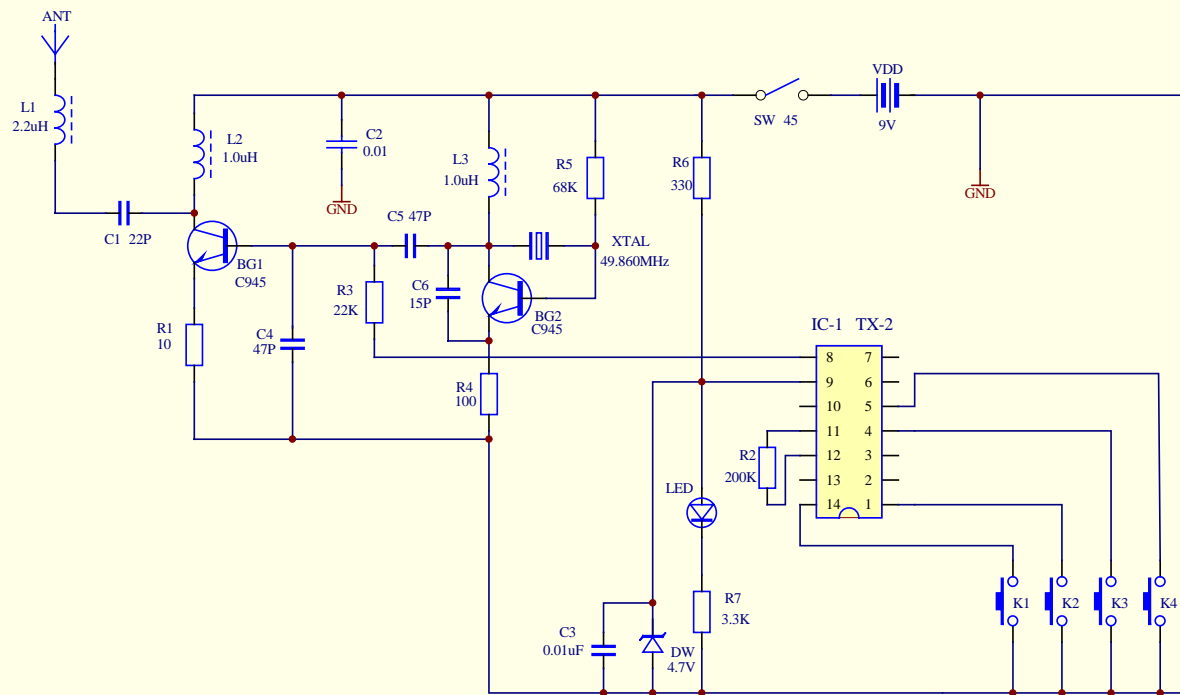


# Schematic Diagram (49.860MHz)



Title <b>TP-471F-TX-4WAY</b>		
Size A4	Number TX-49.860MHz	Revision
Date: 13-Jan-2008	Sheet of	
File: F:\FCC\OoE\471F49M.SCH	Drawn By: <b>TPKJ. TECH.</b>	