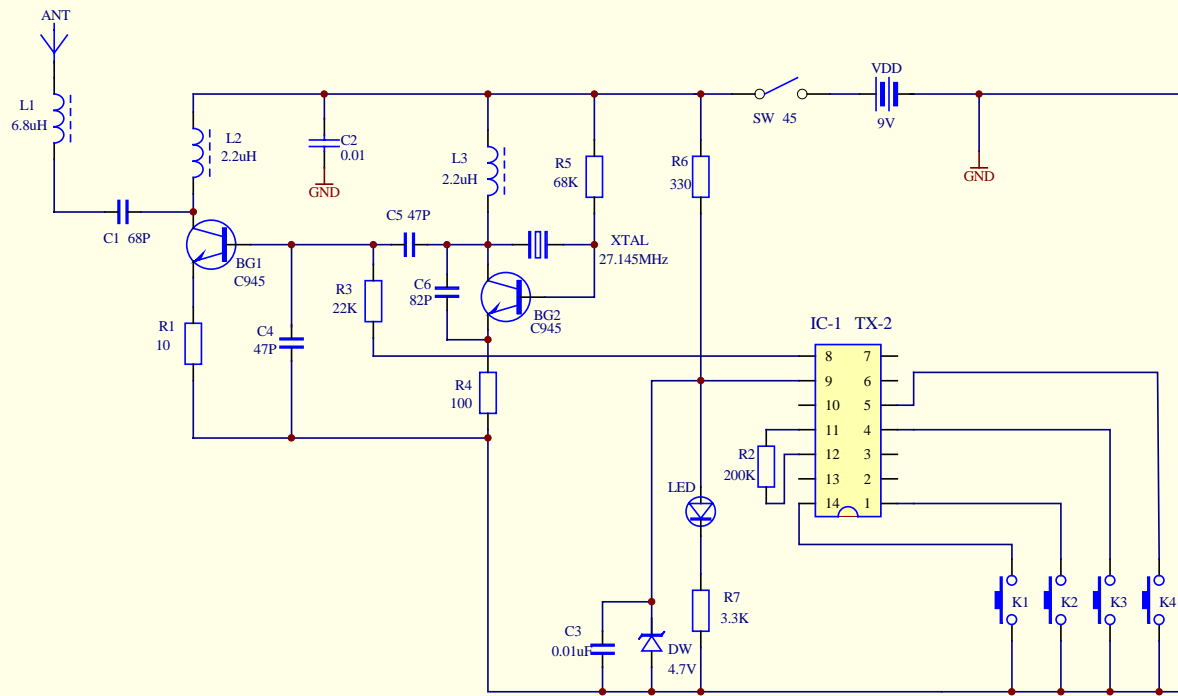


Schematic Diagram (27.145M)



Title		
TP-471F-TX-4WAY		
Size	Number	Revision
A4	TX-27.145MHz	
Date:	12-Jan-2008	Sheet of
File:	F:\FCC\QoE\471F27M.SCH	Drawn By: TPKJ. TECH.