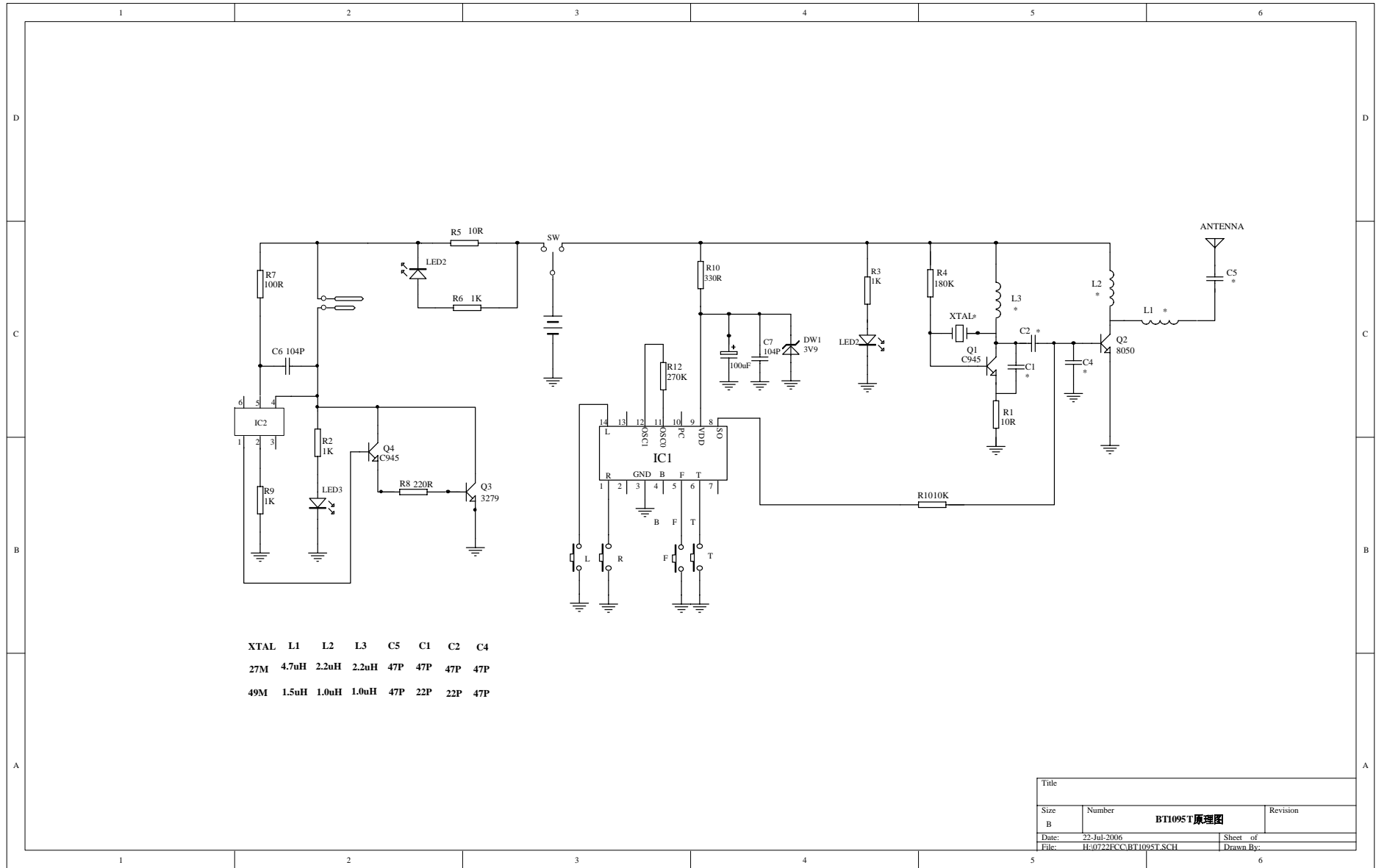


Schematic Diagram (49.86MHz)



XTAL	L1	L2	L3	C5	C1	C2	C4
27M	4.7uH	2.2uH	2.2uH	47P	47P	47P	47P
49M	1.5uH	1.0uH	1.0uH	47P	22P	22P	47P

Title		
Size	Number	Revision
B	BT1095T原理图	
Date:	22-Jul-2006	Sheet of
File:	H:0721\CC\BT1095T.SCH	Drawn By: