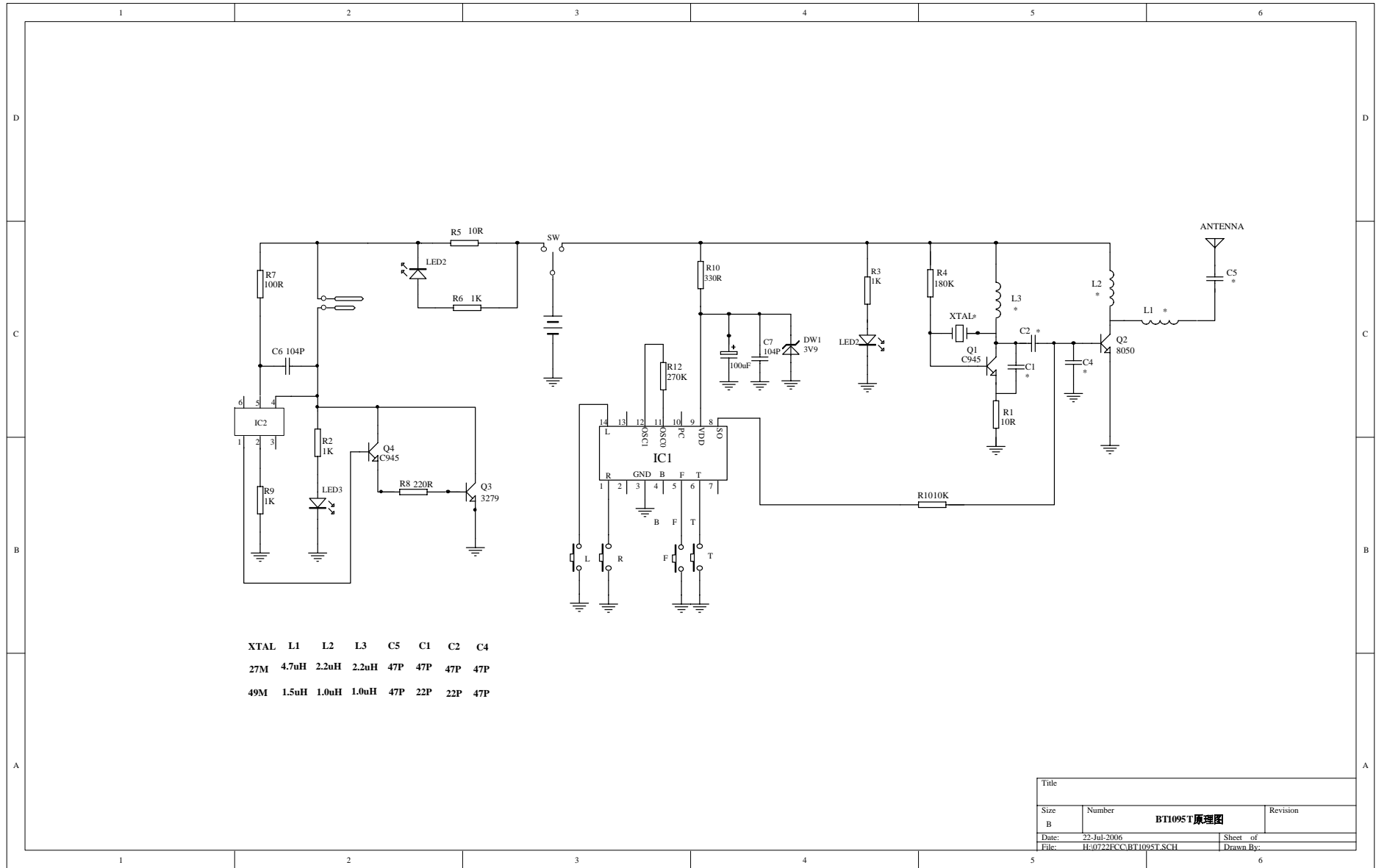


Schematic Diagram (27.145MHz)



Title		
Size	Number	Revision
B	BT1095T原理图	
Date:	22-Jul-2006	Sheet of
File:	H:0721\FCC\BT1095T.SCH	Drawn By: