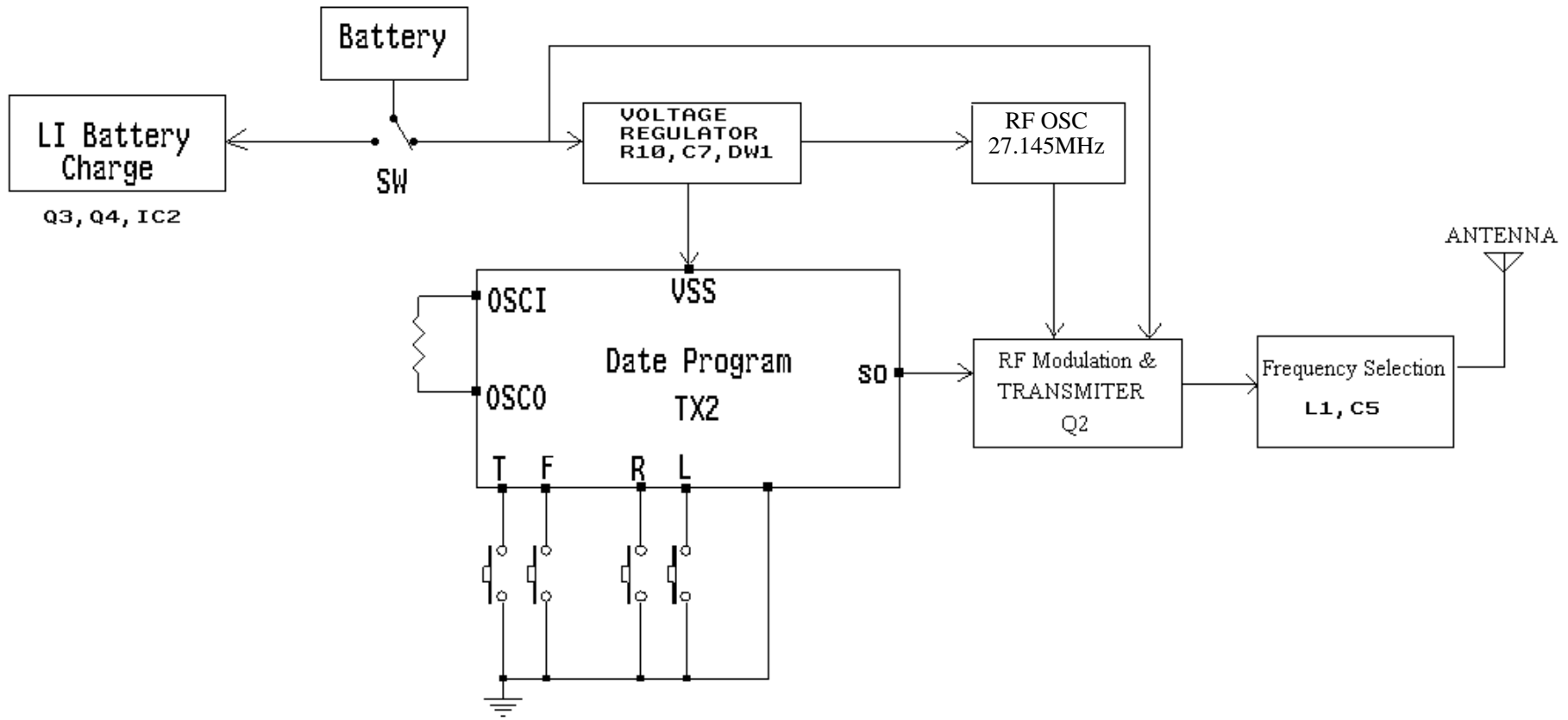


Block Diagram (27.145MHz)



BT1095T