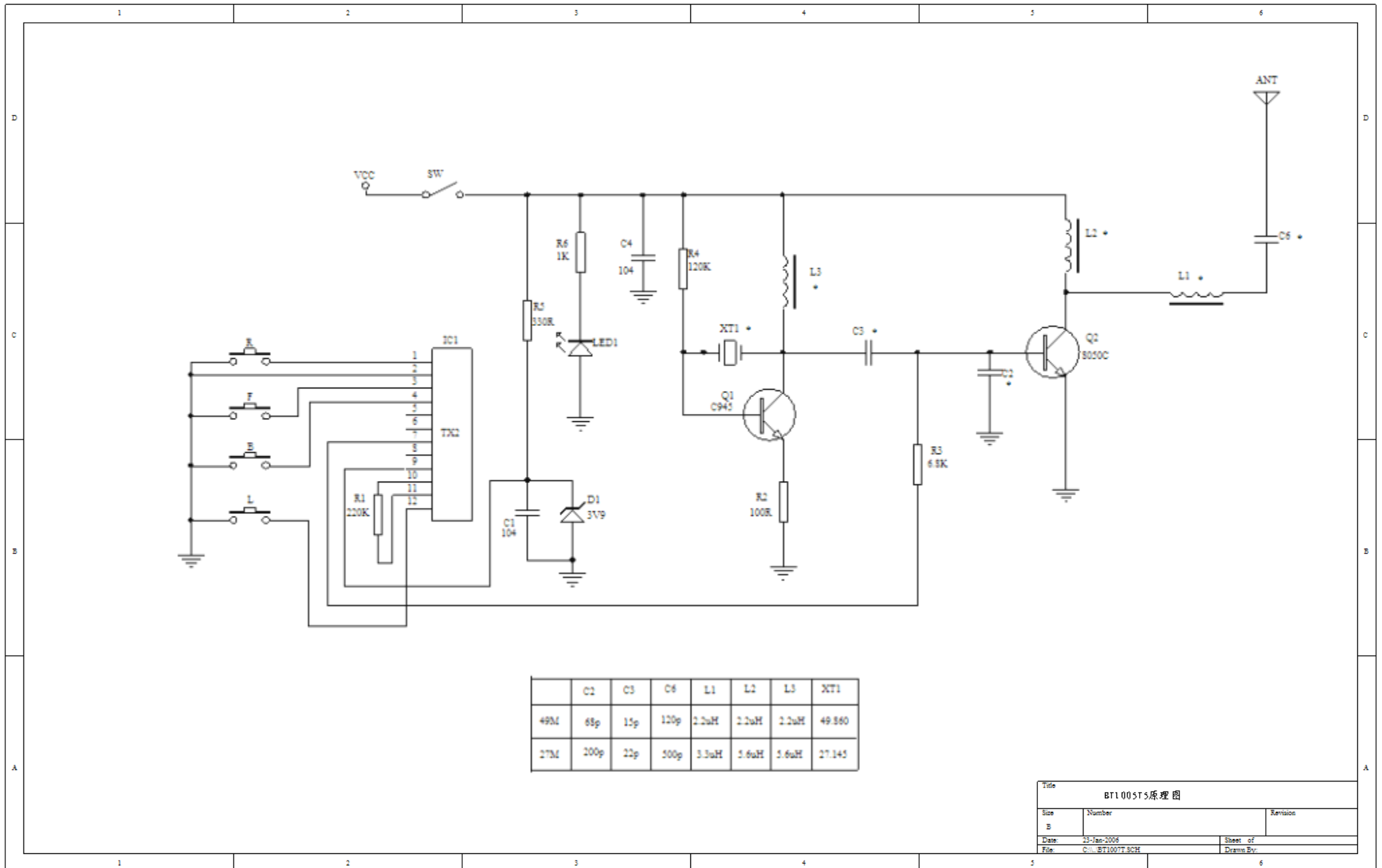


Schematic Diagram(49.863MHz)



Title		
BT1005FS原理图		
Size	Number	Revision
B		
Date	23-Jan-2006	Sheet of
File	C:\BT1007T.SCH	Drawn By: