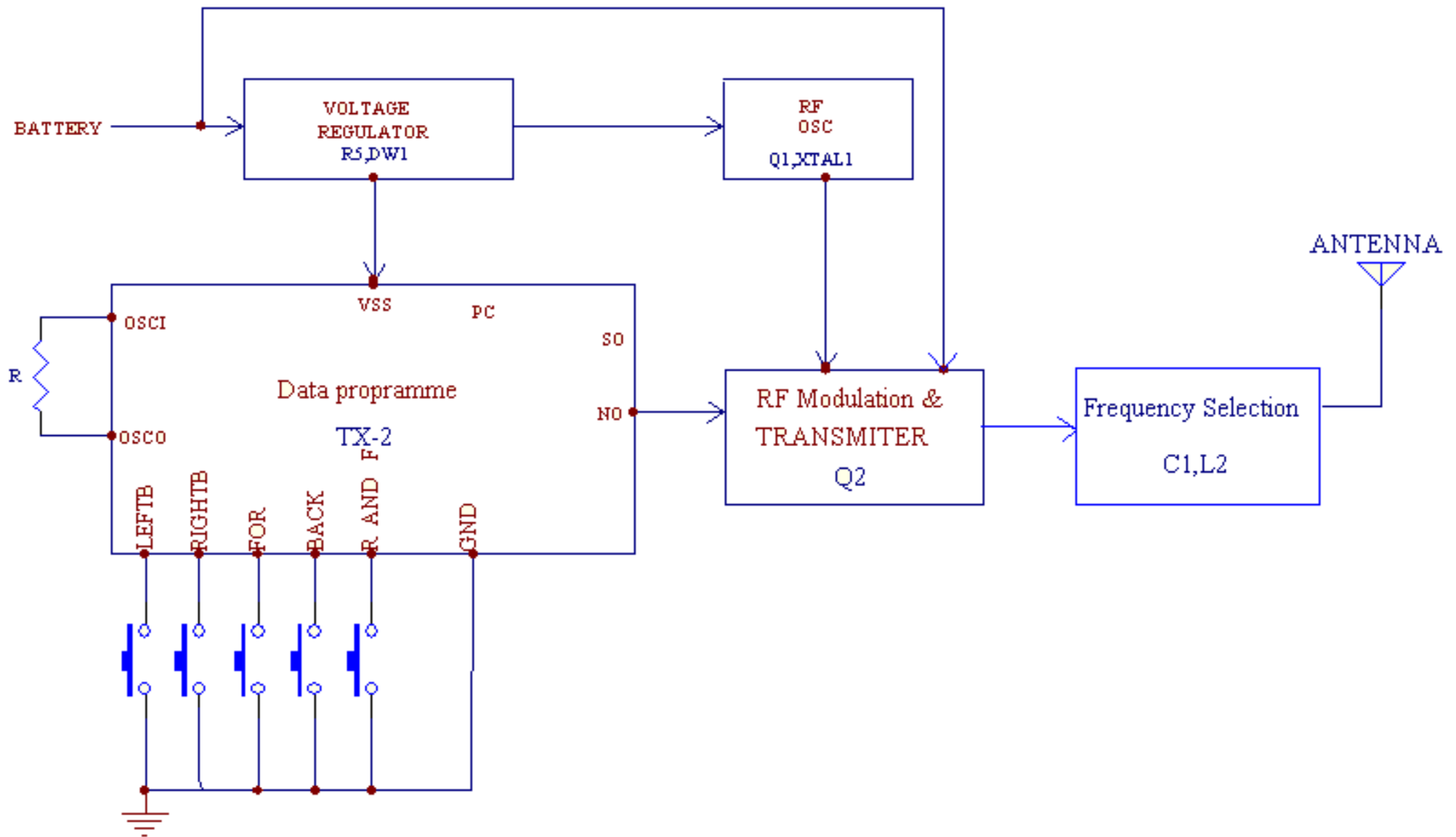


# Block Diagram(49.863MHz)



BT1007TX