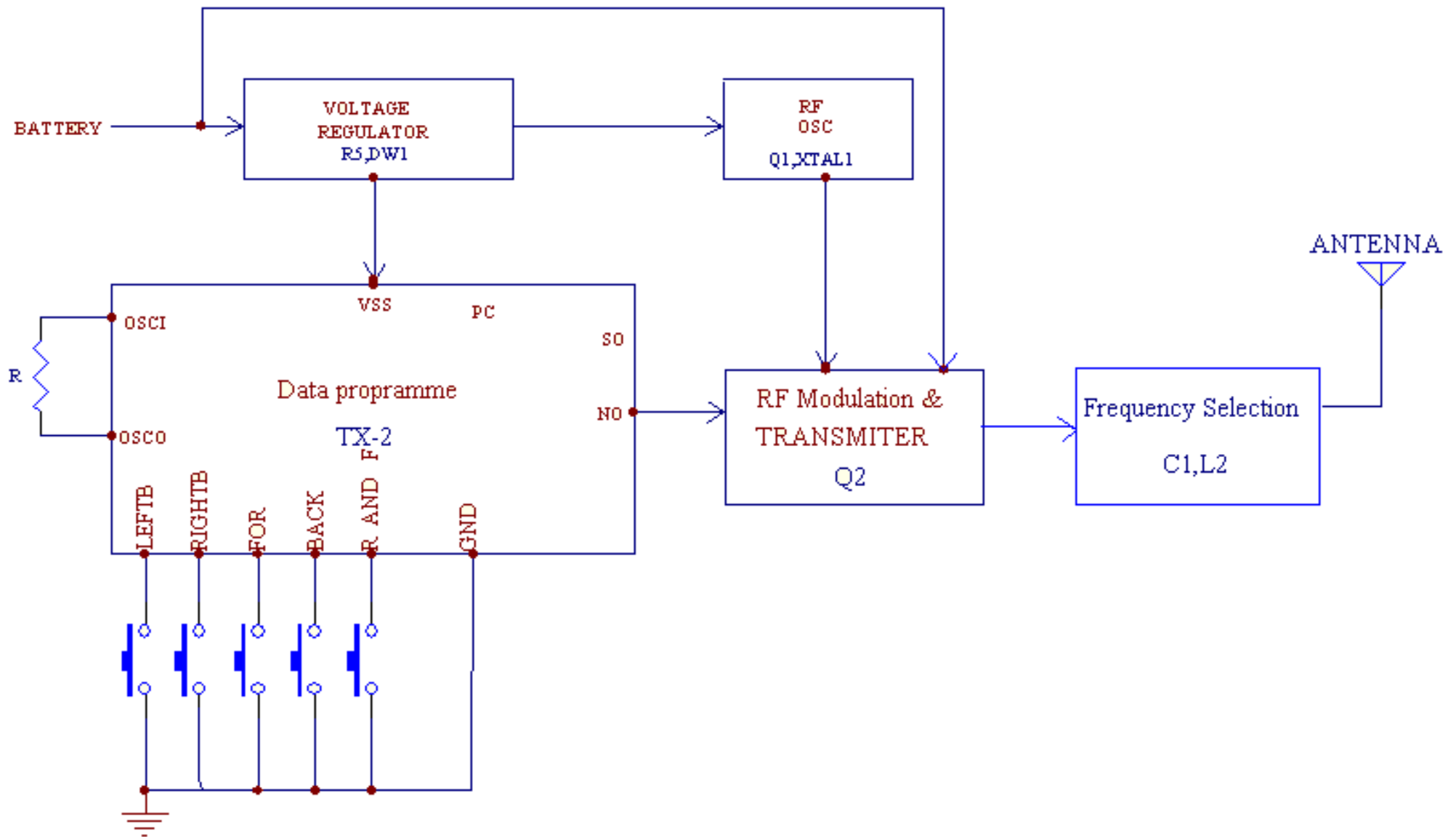


Block Diagram(27.146MHz)



BT1007TX