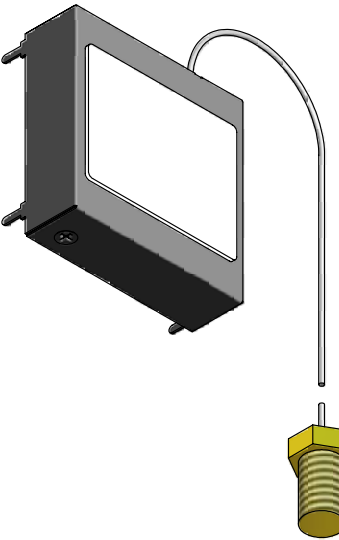
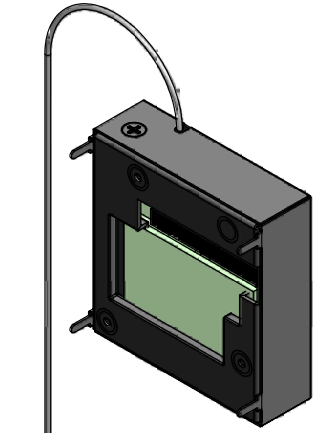
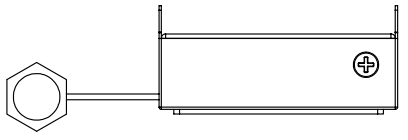
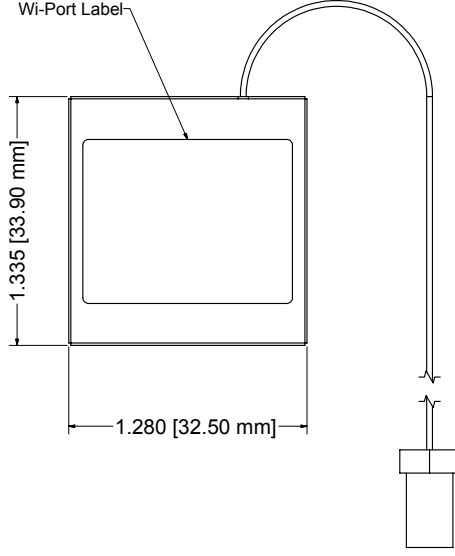
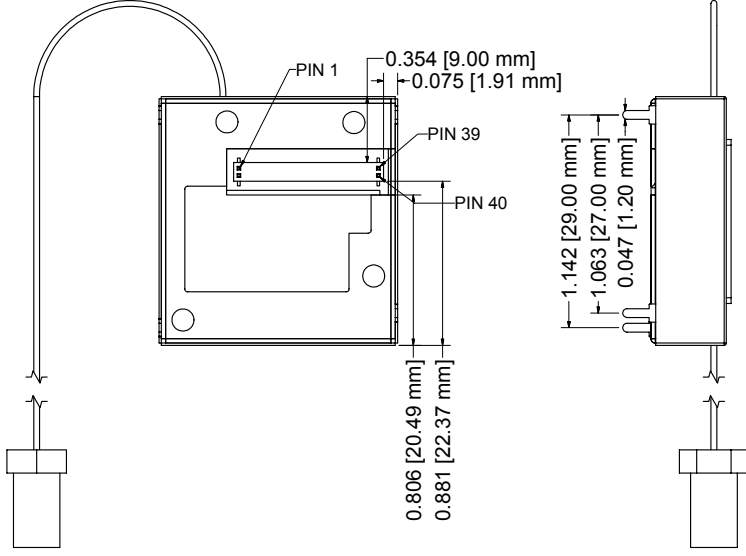
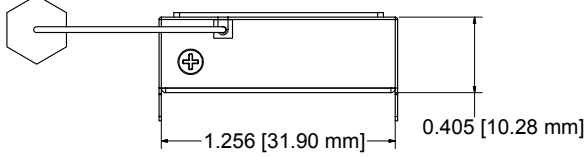
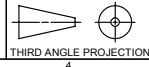


REVISION HISTORY				
ZONE	REV	DESCRIPTION	DATE	APPROVED
1	A	PRODUCTION RELEASE	5/25/04	-



THIS DOCUMENT CONTAINS INFORMATION PROPRIETARY TO LANTRONIX. ANY REPRODUCTION OF THIS DOCUMENT IS EXPRESSLY PROHIBITED EXCEPT AS LANTRONIX MAY OTHERWISE AGREE IN WRITING.



MATERIAL	①
FINISH	②

DIMENSIONS ARE IN INCHES
FRACT. ± 1/64 ANG. ± 0°30'
TOL. .XX ±.02 .XXX ±.01

UNLESS OTHERWISE SPECIFIED	DRAWN Ryan Bullock	5/25/2004
DRILLED HOLE TOLERANCES	CHECKED	
.0135 TO .125 +.004 -.001	QA	
.126 TO .250 +.005 -.001	MFG	
.251 TO .500 +.006 -.001		
.501 TO .750 +.008 -.001		
MACH. FINISH 63 OR BETTER	APPROVED	
REMOVE ALL BURRS & BREAK SHARP EDGES R.010 MAX.		
DO NOT SCALE DRAWING		

LANTRONIX		15353 Barranca Pkwy. Irvine, CA 92618 (949) 453-3990
TITLE		
SUB ASSY, WIPOPT OPTION 1 16 MBIT FLASH		
SIZE	DWG NO	REV
D	080-300-ASSY	A
SCALE	SHEET 1 OF 1	