

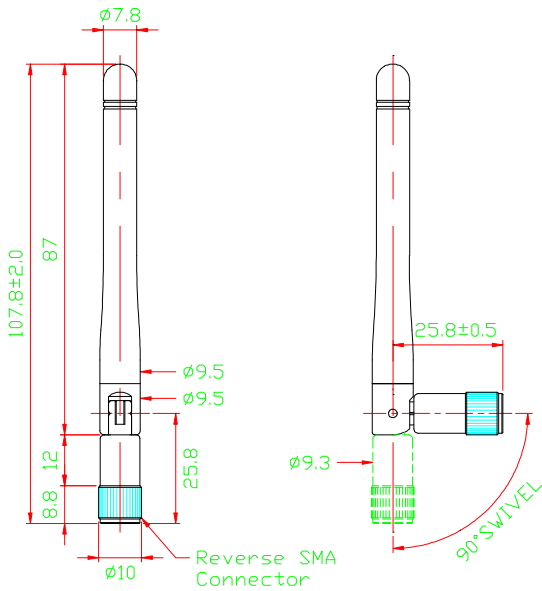
WSS002



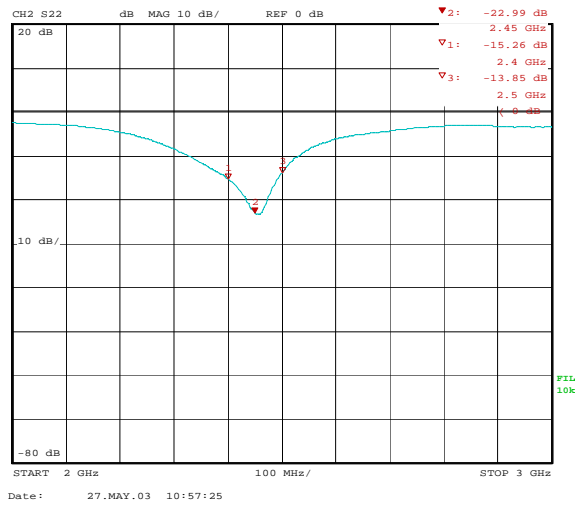
Color	Gray/Black
Frequency range	2.4~2.5 Ghz
Connector	SMA
V.S.W.R	2.0
Gain	2.15 dBi
Test Environment	Free Space



SMA



Dimension

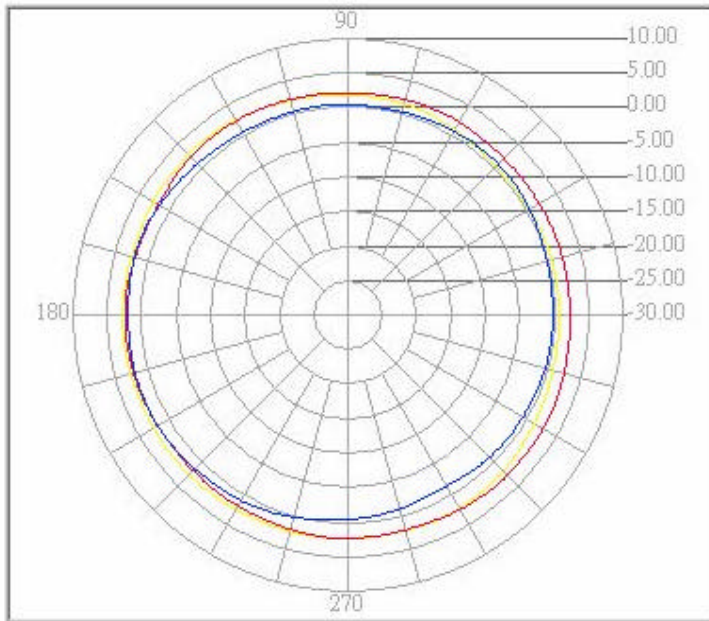


Return Loss For 2.4 GHz

Model No: WSS002

Antenna Position: Vertical

Test Mode: H-PLANE



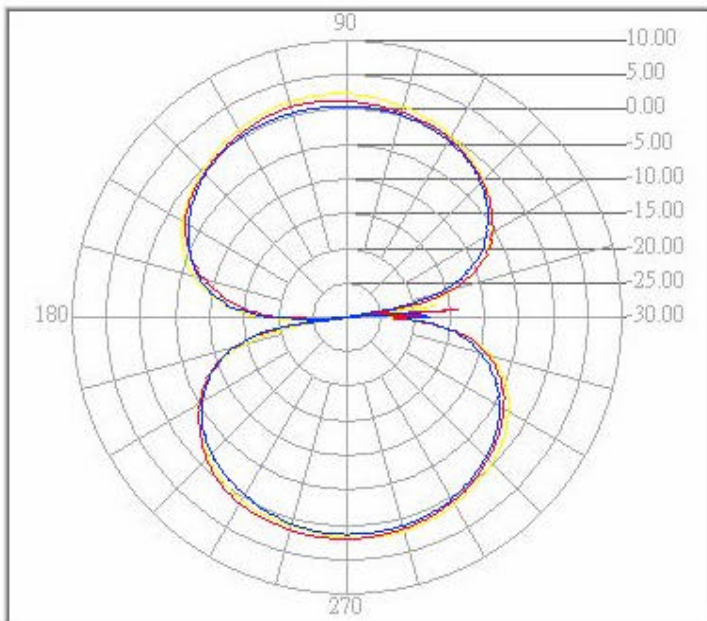
Freq(MHz)	peak(dBi)	Angle(o)	Avg(dBi)
2400.00	2.88	136.08	2.03
2450.00	2.83	323.51	2.29
2490.00	2.19	165.77	0.67

H-plane For 2.4GHz

Model No: WSS002

Antenna Position: Horizontal

Test Mode: E-PLANE



Freq(MHz)	peak(dBi)	Angle(o)	Avg(dBi)
2400.00	2.36	96.49	-0.89
2450.00	2.06	267.84	-1.23
2490.00	1.38	271.55	-1.85

E-plane For 2.4 GHz