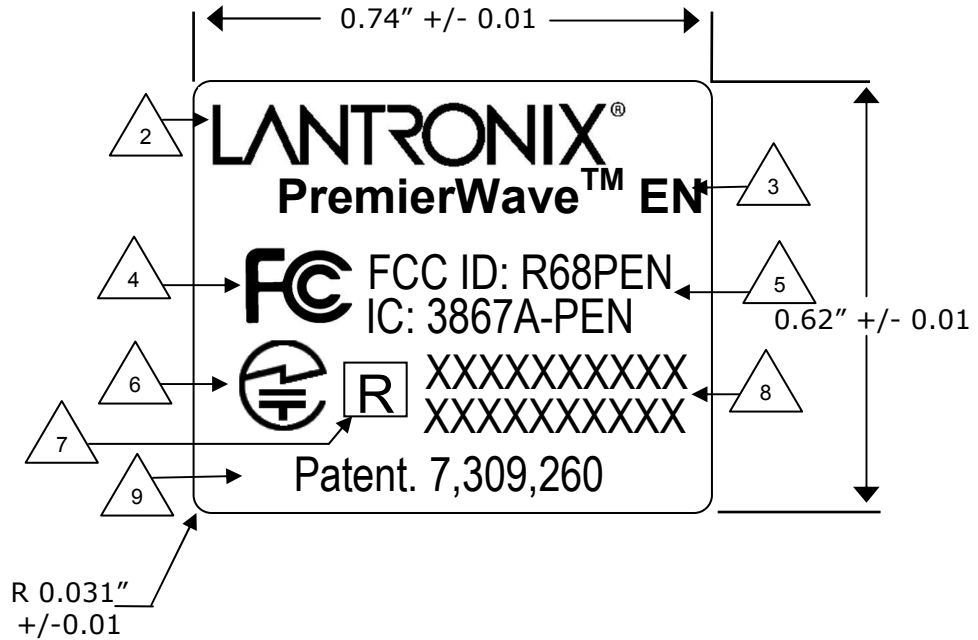
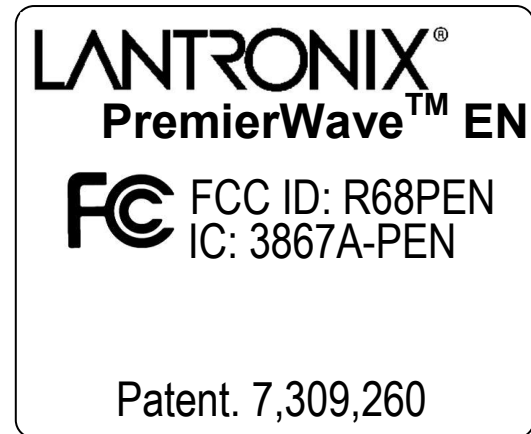


### Revision History

Rev.	Description	Date
A	Original issue	06/23/10
B	Add TM (trademark) to PremierWave.	11/22/10
C	Was "Patent. 7,309,260 B2", change to "Patent. 7,309,260"	01/25/11



Example



<b>LANTRONIX</b>	Description:	<b>LABEL SPEC, PREMIERWAVE AGENCY, ROHS</b>	Page:	<b>1 of 2</b>
	Document Number:	<b>461-131</b>	Revision:	<b>C</b>

Notes:

1 Blank Label material is 460-552-R. Use appropriate ink resin for printed image to last the lifetime of product.



2 Company Logo. "Lantronix" Graphic. Place & size approximately as shown.



3 Product Logo. Human Readable Text: Font Style = Arial or equivalent. Bold Font. Font Size = 7 pt (approximately 0.07" character height). Content is "PremierWave™ EN ". Place approximately as shown.



4 FCC Logo. "FCC" Graphic. Place & size approximately as shown. Minimum 3mm height.



5 FCC & CANADA RADIO ID. Human Readable Text: Font Style = Arial or equivalent. Font Size = 7 pt (approximately 0.07" character height). Place as shown. Content must read literally without quotes

"FCC ID: R68PEN"  
"IC: 3867A-PEN"



6 Currently not printed, but space reserved for JAPAN TELECOMMUNICATION Mark. ~~Size and place approximately as shown. Diameter shall be 3 mm minimum.~~



7 Currently not printed, but space reserved for JAPAN RADIO EQUIPMENT Mark. ~~Size and place approximately as shown.~~



8 Currently not printed, but space reserved for JAPAN CERTIFICATION NUMBER: Human Readable Text. ~~Text Format and size same as 5. Place as shown. Content must read literally without quotes~~

~~"XXXXXXXXXX"  
"XXXXXXXXXX"~~



9 Patent Number. Human Readable Text: Text Format and size same as 5. Place as shown. Content must read literally without quotes

"Patent. 7,309,260"

10 All homogeneous materials used in the construction of this component/assembly shall comply with the current EU Directive 2002/95/EC, Restriction of Hazardous Substances (RoHS), and Article 7 and 57 of Regulation (EC) No 1907/2006 (REACH Regulation).

<b>LANTRONIX</b>	Description:	<b>LABEL SPEC, PREMIERWAVE AGENCY, ROHS</b>	Page: <b>2 of 2</b>
	Document Number:	<b>461-131</b>	Revision: <b>C</b>