

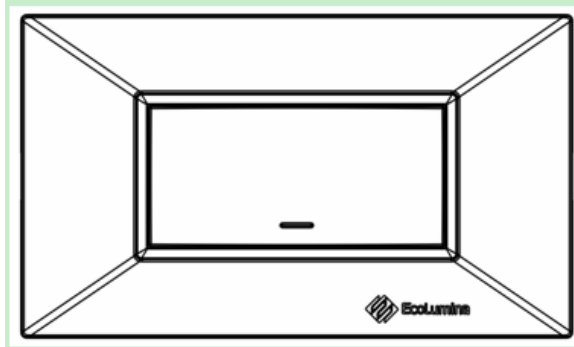
EcoLumina

CosWe

Installation Guide

*Please contact professional electrician to install CosWe

1 Product Introduction



Model No : 0504-S01101A100011

Thank you for purchasing the Ecolumina Energy Cloud Management System. This system includes Cloud Master and CosWe. Cloud Master is a system that enables the wireless energy management system and Coswe is a wall-mounted switch with wireless function. Combine the free app CosWe, provided by Ecolumina, can allow you to control and monitor the lights in your house from all over the world via your mobile device.

Cloud Master is an all-in-one solution to store, setup and update the configuration settings of CosWe. Cloud Master also combines modem, Ethernet network to surf the internet and link to CosWe system.

Cloud Master also serves as an internet firewall, protecting your network from accessing by outside users. Not only does it provide a natural firewall function with Network Address Translation (NAT), it also provides rich firewall features to secure your network. All incoming data packets are monitored and filtered. You can also configure your new router to block internal users from accessing the Internet.

CosWe is a wall-mounted switch which allows you to control the light in your house by hand tapping and also through CosWe app on your mobile device. It supports all kinds of light source, from Tungsten lamp, LED lamp or Phosphorous lamp.

CosWe app, a free app designed by Ecolumina Technologies Inc., is a powerful app that can keep you informed the status of CosWe. This graphic user interface app makes you easily monitor and manage the lights in your home or office through grouping, scheduling and instant update.

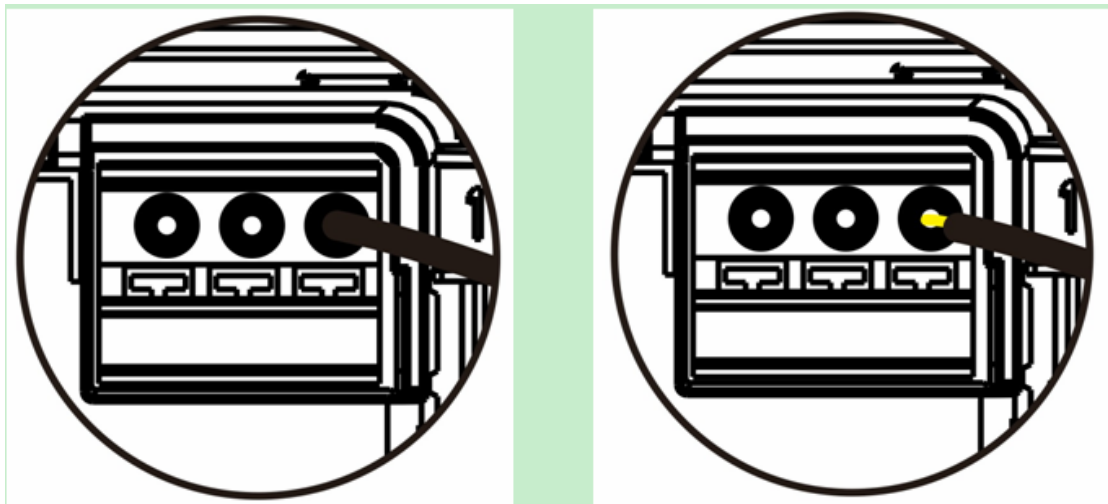
2 Product Overview

2.1 CosWe

Product Type	Voltage	Frequency	Loading Range (lamp)	Current Range
Single Switch	110~220v	50/60 Hz	15W~120W	0.45A~1A

3 Cautions

- 3.1 Please make sure the electrical distribution panel is turned off before installation and do not turn it on until the installation is finished.
- 3.2 Please confirm the total power of light fixture fits to the power loading range. (15W ~ 120W)
- 3.3 Do wear insulation gloves during the installation.
- 3.4 Suggest install it with suitable tools and be careful of the electricity.
- 3.5 Please do not install CosWe in humid environment.
- 3.6 Please make sure the copper wire is fully plugged in and fixed in the slot.

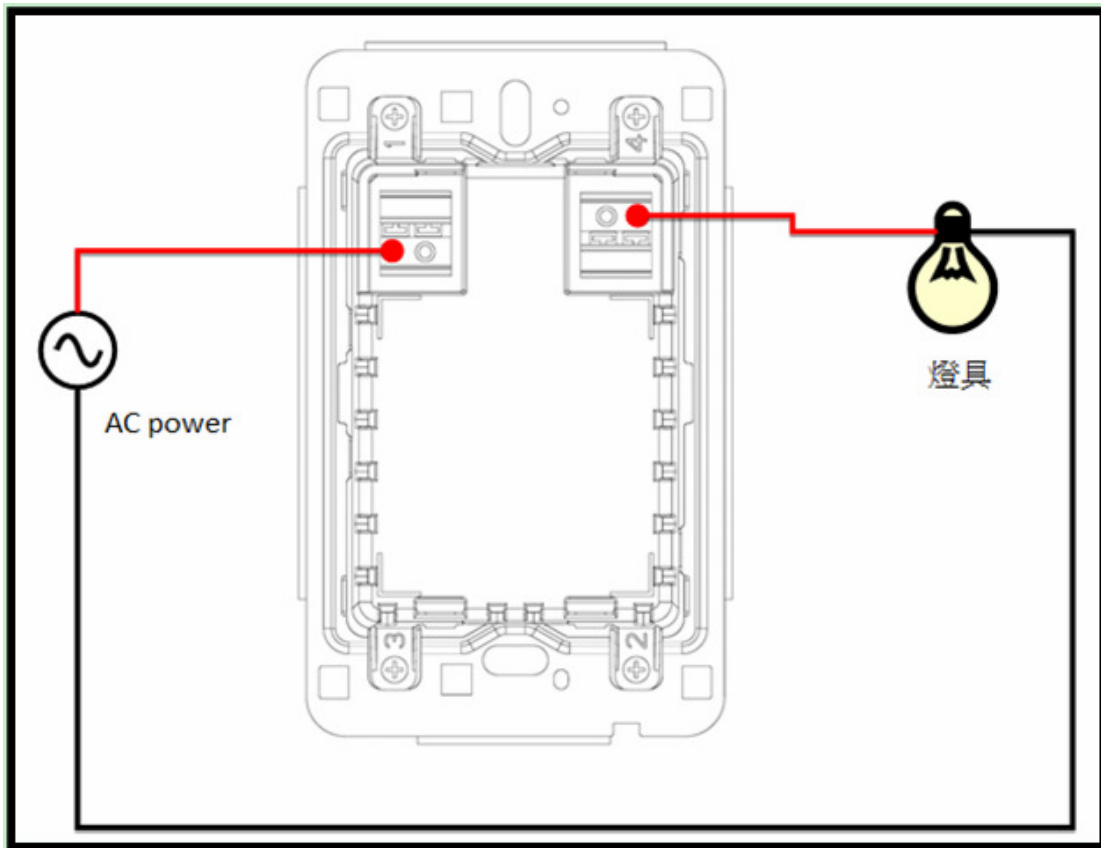


Correct

Wrong

- 3.7 Confirm the rear hole size on the wall is big enough to put CosWe in it. (70mm(L) x 50mm(W) x 40mm(H))
- 3.8 If the lamp or lighting fixture is blinking, please take CosWe down and call the customer service.

4 Wiring Arrangement Diagram



5 Installation SOP

5.1 Install CosWe and log in Cloud Master

5.1.1 Turn on the Cloud Master

5.1.2 Download the free app CosWe on App store.

(<http://itunes.apple.com/tw/artist/ecolumina-technologies-inc./id453934371?l=zh>)

5.1.3 Turn on the app, and log into the advanced mode to increase a new device.

5.1.4 Use the camera to read the QR code on the back of the CosWe to add in a new device.

5.1.5 If QR code is not recognizable, please key in the 16 digit serial number.

5.2 Install CosWe

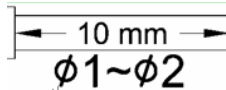
5.2.1 Turn off the electricity distribution panel.

5.2.2 Put on insulation gloves.

5.2.3 Dismount the original switch on the wall.

5.2.4 Make sure the copper wire length is suitable. If too long, please cut it shorter to a proper length.

5.2.5 Copper wire exposed length is 10mm and diameter is between $\phi 1$ to $\phi 2$. (See the figure below)



5.2.6 Turn the electricity distribution panel on.

5.3 Test CosWe

5.3.1 Wait for 1 minute and press the switch to check if it works.

(Note: Light will be turned on in 1~5 seconds for different lighting fixture.)

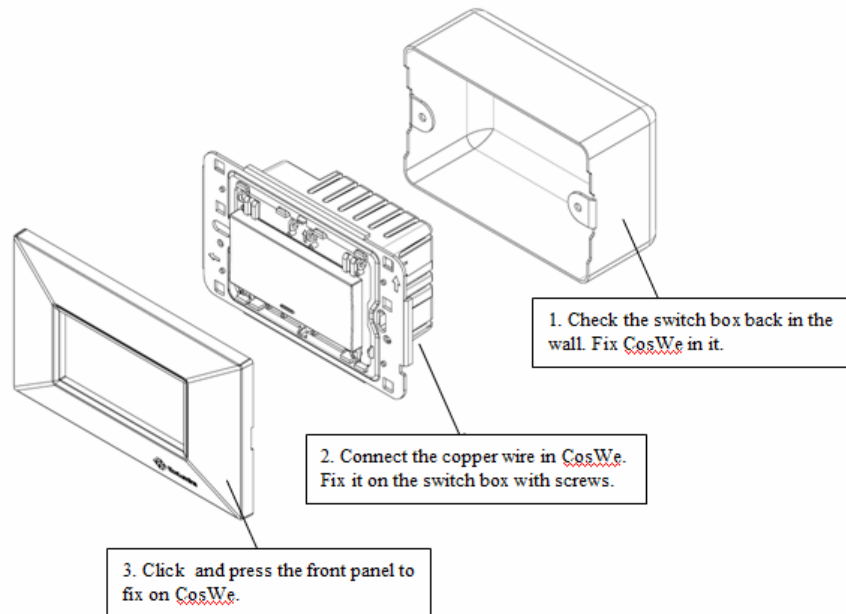
5.3.2 If manual switching works well, please turn off the light.

5.3.3 Turn on the light through CosWe app to check wireless mode function is ok.

5.3.4 If manual and App function works well, please lock the switch back to the wall. (Please check to see if the space back in the wall is larger than 70mm(L) x 50mm(W) x 40mm(H).

5.4 Lock CosWe on the wall

- 5.4.1 Please check your wall which has a switch box in it. It is normally installed on the back of every switch and plug.
- 5.4.2 Lock CosWe with screws on the switch box back in the wall.
- 5.4.3 Press and click to fix the front panel on CosWe.



5.5 Setup Cloud Master and log in to setup wireless network.

General Product

Federal Communications Commission (FCC) Statement

15.21

You are cautioned that changes or modifications not expressly approved by the part responsible for compliance could void the user's authority to operate the equipment.

15.105(b)

This equipment has been tested and found to comply with the limits for a Class B digital device, pursuant to part 15 of the FCC rules. These limits are designed to provide reasonable protection against harmful interference in a residential installation. This equipment generates uses and can radiate radio frequency energy and, if not installed and used in accordance with the instructions, may cause harmful interference to radio communications. However, there is no guarantee that interference will not occur in a particular installation. If this equipment does cause harmful interference to radio or television reception, which can be determined by turning the equipment off

and on, the user is encouraged to try to correct the interference by one or more of the following measures:

- Reorient or relocate the receiving antenna.
- Increase the separation between the equipment and receiver.
- Connect the equipment into an outlet on a circuit different from that to which the receiver is connected.
- Consult the dealer or an experienced radio/TV technician for help.

This device complies with part 15 of the FCC Rules. Operation is subject to the following two conditions:

- 1) this device may not cause interference and
- 2) this device must accept any interference, including interference that may cause undesired operation of the device.