

Test Report

FCC ID: R56-FCIDAB

Date of issue: Jul. 08, 2017

Report Number:	MTi170812E078
Sample Description:	Bluetooth Hearphone Amp
Model(s):	FB1121, FB3121, FB5121, FE1121, FE3121, FE5121, FB1, FB3, FB5, FS1121
Applicant:	Guangzhou FiiO Electronics Technology Co.,Ltd
Address:	2/F, F Building, Hougang Industrial Zone, Shigang Village, Huangshi West Road, Baiyun District, Guangzhou City, China.
Date of Test:	June. 21, 2017 to Jul. 08, 2017

Shenzhen Microtest Co., Ltd.
<http://www.mtitest.com>



This test report is valid for the tested samples only. It cannot be reproduced except in full without prior written consent of Shenzhen Microtest Co., Ltd.

Tel: (86-755) 88850135

Fax: (86-755) 88850136

Web: <http://www.mtitest.com>

E-mail: mti@51mti.com

Address: No.102A & 302A, East Block, Hengfang Industrial Park, Xingye Road, Xixiang, Bao'an District, Shenzhen, Guangdong, China

TEST RESULT CERTIFICATION	
Applicant's name	Guangzhou FiiO Electronics Technology Co.,Ltd
Address	2/F, F Building, Hougang Industrial Zone, Shigang Village, Huangshi West Road, Baiyun District, Guangzhou City, China.
Manufacture's Name	Guangzhou FiiO Electronics Technology Co., Ltd
Address	2/F, F Building, Hougang Industrial Zone, Shigang Village, Huangshi West Road, Baiyun District, Guangzhou City, China.
Product description	
Product name	Bluetooth Hearphone Amp
Model and/or type reference :	FB1121, FB3121, FB5121, FE1121, FE3121, FE5121, FB1, FB3, FB5, FS1121
Serial Model	N/A
Standards	FCC Part15.247
Test procedure	ANSI C63.10-2014

This device described above has been tested by Shenzhen Toby Technology Co., Ltd. and the test results show that the equipment under test (EUT) is in compliance with the FCC requirements. And it is applicable only to the tested sample identified in the report.

Tested by:



Demi Mu

Jul. 07, 2017

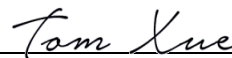
Reviewed by:



Smith Chen

Jul. 08, 2017

Approved by:



Tom Xue

Jul. 08, 2017

Table of Contents

	Page
1 . SUMMARY OF TEST RESULTS	5
1.1 TEST FACILITY	6
1.2 MEASUREMENT UNCERTAINTY	6
2 . GENERAL INFORMATION	7
2.1 GENERAL DESCRIPTION OF EUT	7
2.2 DESCRIPTION OF TEST MODES	8
2.3 BLOCK DIGRAM SHOWING THE CONFIGURATION OF SYSTEM TESTED	9
2.4 DESCRIPTION OF SUPPORT UNITS(CONDUCTED MODE)	10
2.5 EQUIPMENTS LIST FOR ALL TEST ITEMS	11
3 . EMC EMISSION TEST	12
3.1 CONDUCTED EMISSION MEASUREMENT	12
3.1.1 POWER LINE CONDUCTED EMISSION LIMITS	12
3.1.2 TEST PROCEDURE	13
3.1.3 DEVIATION FROM TEST STANDARD	13
3.1.4 TEST SETUP	13
3.1.5 EUT OPERATING CONDITIONS	13
3.1.6 TEST RESULTS	14
3.2 RADIATED EMISSION MEASUREMENT	16
3.2.1 RADIATED EMISSION LIMITS	16
3.2.2 TEST PROCEDURE	16
3.2.3 DEVIATION FROM TEST STANDARD	17
3.2.4 TEST SETUP	18
3.2.5 EUT OPERATING CONDITIONS	19
3.2.6 TEST RESULTS (BETWEEN 9KHZ – 30 MHZ)	20
3.2.7 TEST RESULTS (BETWEEN 30MHZ – 1GHZ)	21
3.2.8 TEST RESULTS (1G-25GHZ)	22
4 . POWER SPECTRAL DENSITY TEST	24
4.1 APPLIED PROCEDURES / LIMIT	24
4.1.1 TEST PROCEDURE	24
4.1.2 DEVIATION FROM STANDARD	24
4.1.3 TEST SETUP	24
4.1.4 EUT OPERATION CONDITIONS	24
4.1.5 TEST RESULTS	25
5 . BANDWIDTH TEST	27

Table of Contents		Page
5.1 APPLIED PROCEDURES / LIMIT		27
5.1.1 TEST PROCEDURE		27
5.1.2 DEVIATION FROM STANDARD		27
5.1.3 TEST SETUP		27
5.1.4 EUT OPERATION CONDITIONS		27
5.1.5 TEST RESULTS		28
6 . PEAK OUTPUT POWER TEST		30
6.1 APPLIED PROCEDURES / LIMIT		30
6.1.1 TEST PROCEDURE		30
6.1.2 DEVIATION FROM STANDARD		30
6.1.3 TEST SETUP		30
6.1.4 EUT OPERATION CONDITIONS		30
6.1.5 TEST RESULTS		31
7 . 100 KHZ BANDWIDTH OF FREQUENCY BAND EDGE		32
7.1 DEVIATION FROM STANDARD		32
7.2 TEST SETUP		32
7.3 EUT OPERATION CONDITIONS		32
7.4 TEST RESULTS		33
8 . ANTENNA REQUIREMENT		35
8.1 STANDARD REQUIREMENT		35
8.2 EUT ANTENNA		35
9 . EUT TEST PHOTO		36

1. SUMMARY OF TEST RESULTS

Test procedures according to the technical standards:

FCC Part15 (15.247) , Subpart C			
Standard Section	Test Item	Judgment	Remark
15.207	Conducted Emission	PASS	
15.247 (a)(2)	6dB Bandwidth	PASS	
15.247 (b)	Peak Output Power	PASS	
15.247 (c)	Radiated Spurious Emission	PASS	
15.247 (d)	Power Spectral Density	PASS	
15.205	Band Edge Emission	PASS	
15.203	Antenna Requirement	PASS	

NOTE:

(1) "N/A" denotes test is not applicable in this Test Report

1.1 TEST FACILITY

Shenzhen Toby Technology Co., Ltd.
Add.: 10/F.,A Block, Jiada R&D Bldg., No.5 Songpingshan, Road, Science&Technology Park,
Shenzhen, 518057
FCC Registration No.:811562

1.2 MEASUREMENT UNCERTAINTY

The reported uncertainty of measurement $y \pm U$ · where expanded uncertainty **U** is based on a standard uncertainty multiplied by a coverage factor of **k=2** · providing a level of confidence of approximately **95 %** .

No.	Item	Uncertainty
1	Conducted Emission Test	±1.38dB
2	RF power,conducted	±0.16dB
3	Spurious emissions,conducted	±0.21dB
4	All emissions,radiated(<1G)	±4.68dB
5	All emissions,radiated(>1G)	±4.89dB
6	Temperature	±0.5°C
7	Humidity	±2%

2. GENERAL INFORMATION

2.1 GENERAL DESCRIPTION OF EUT

Equipment	Bluetooth Hearphone Amp	
Trade Name	FiiO	
Model Name	FB1121	
Serial Model	FB3121, FB5121, FE1121, FE3121, FE5121, FB1, FB3, FB5, FS1121	
Model Difference	The wireless module used in the product is the same, but the model is named differently	
Product Description	The EUT is a Bluetooth Hearphone Amp	
	Operation Frequency:	BLE 2402-2480MHz
	Modulation Type:	GFSK
	Bit Rate of Transmitter	1Mbps
	Number Of Channel	40
	Antenna Designation:	Please see Note 3.
	Output Power(Conducted):	BLE: -2.139 dBm (Max.)
	Antenna Gain (dBi)	2.5dbi
Based on the application, features, or specification exhibited in User's Manual, the EUT is considered as an ITE/Computing Device. More details of EUT technical specification, please refer to the User's Manual.		
Channel List	Please refer to the Note 1.	
Battery	DC 3.7V by battery	
Connecting I/O Port(s)	Please refer to the User's Manual	

Note:

1. For a more detailed features description, please refer to the manufacturer's specifications or the User's Manual.
- 2.

Channel List for BLE							
Channel	Frequency (MHz)	Channel	Frequency (MHz)	Channel	Frequency (MHz)	Channel	Frequency (MHz)
01	2402	--	---	20	2440	38	2476
02	2404	--	---	--	---	39	2478
03	2406	19	2438	--	---	40	2480

3.

Table for Filed Antenna

Ant	Brand	Model Name	Antenna Type	Connector	Gain (dBi)	NOTE
A	FiiO	FB1121	Chip antenna	/	2.5	BT Antenna

2.2 DESCRIPTION OF TEST MODES

To investigate the maximum EMI emission characteristics generates from EUT, the test system was pre-scanning tested base on the consideration of following EUT operation mode or test configuration mode which possible have effect on EMI emission level. Each of these EUT operation mode(s) or test configuration mode(s) mentioned above was evaluated respectively.

Pretest Mode	Description
Mode 1	BLE CH1/ CH20/ CH40
Mode 2	Link Mode

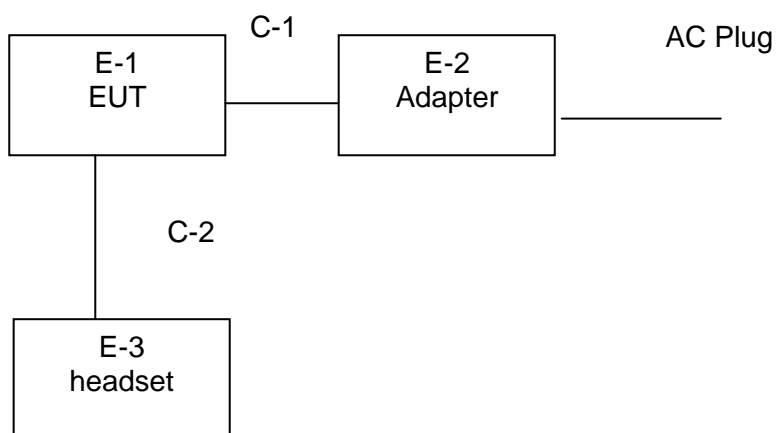
For Conducted Emission	
Final Test Mode	Description
Mode 2	Link Mode

For Radiated Emission	
Final Test Mode	Description
Mode 1	BLE CH1/ CH20/ CH40

Note:

- (1) The measurements are performed at the highest, middle, lowest available channels.
- (2) The measurements are performed at all Bit Rate of Transmitter, the worst data was reported

2.3 BLOCK DIGRAM SHOWING THE CONFIGURATION OF SYSTEM TESTED



2.4 DESCRIPTION OF SUPPORT UNITS(CONDUCTED MODE)

The EUT has been tested as an independent unit together with other necessary accessories or support units. The following support units or accessories were used to form a representative test configuration during the tests.

Item	Equipment	Brand	Model/Type No.	Series No.	Note
E-1	Bluetooth Hearphone Amp	FiiO	FB1121	N/A	EUT
E-2	Adapter	N/A	HW-050100E01	N/A	
E-3	headset	N/A	N/A	N/A	

Item	Shielded Type	Ferrite Core	Length	Note
C-1	NO	NO	1.0m	
C-2	NO	NO	0.8m	

Note:

- (1) The support equipment was authorized by Declaration of Confirmation.
- (2) For detachable type I/O cable should be specified the length in cm in 『Length』 column.

2.5 EQUIPMENTS LIST FOR ALL TEST ITEMS

For RF conducted test:

Equipment	Manufacturer	Model	Serial No.	Calibration Due
Signal Analyzer	Agilent	N9010A	MY48030494	2017/11/4
4 Ch. Simultaneous Sampling 14 Bits 2 MS/s	Agilent	U2531A	TW54063513	2017/11/4
X-series USB Peak and Average Power Sensor	Agilent	U2021XA	MY54080019	2017/11/4
vector Signal Generator	Agilent	E4438C	US44271917	2017/11/4
vector Signal Generator	Agilent	E4438C	MY49070163	2017/11/4
Dc Power Supply	GW	GPR-6030D	/	2017/11/4
Temperature & Humidity Chamber	GIANT FORCE	GTH-056P	GF-94454-1	2017/11/4
Wideband Radio Communication Tester	ROHDE&SCHWARZ	CMW500	120909	2017/11/4

For Radiated test:

Equipment	Manufacturer	Model	Serial No.	Calibration Due
Broadband TRILOG Antenna	Schwarabeck	VULB9163	9163-872	2017/11/14
Horn Antenna	Schwarzbeck	BBHA 9120 D	9120D-1145	2017/11/14
Amplifier	HP	8447D	3113A06150	2017/11/4
Amplifier	Agilent	8449B	3008A02400	2018/7/4
Test Receiver	Schwarabeck	ESPI7	100314	2017/11/4
Spectrum analyzer	Agilent	E4407B	MY41441082	2017/11/4
Signal Generator	R&S	SMT 06	832080/007	2017/11/4

Note: the calibration interval of the above test instruments is 12 months and the calibrations are traceable to international system unit (SI).

3. EMC EMISSION TEST

3.1 CONDUCTED EMISSION MEASUREMENT

3.1.1 POWER LINE CONDUCTED EMISSION Limits (Frequency Range 150KHz-30MHz)

FREQUENCY (MHz)	Class A (dBuV)		Class B (dBuV)		Standard
	Quasi-peak	Average	Quasi-peak	Average	
0.15 -0.5	79.00	66.00	66 - 56 *	56 - 46 *	CISPR
0.50 -5.0	73.00	60.00	56.00	46.00	CISPR
5.0 -30.0	73.00	60.00	60.00	50.00	CISPR

0.15 -0.5	79.00	66.00	66 - 56 *	56 - 46 *	FCC
0.50 -5.0	73.00	60.00	56.00	46.00	FCC
5.0 -30.0	73.00	60.00	60.00	50.00	FCC

Note:

- (1) The tighter limit applies at the band edges.
- (2) The limit of " * " marked band means the limitation decreases linearly with the logarithm of the frequency in the range.

The following table is the setting of the receiver

Receiver Parameters	Setting
Attenuation	10 dB
Start Frequency	0.15 MHz
Stop Frequency	30 MHz
IF Bandwidth	9 kHz

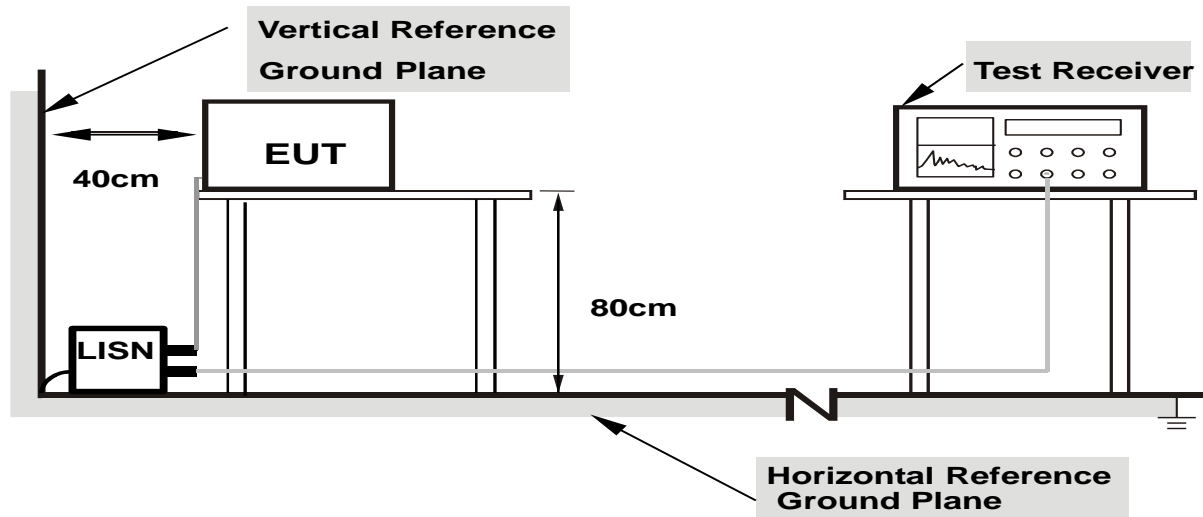
3.1.2 TEST PROCEDURE

- a. The EUT was placed 0.8 meters from the horizontal ground plane with EUT being connected to the power mains through a line impedance stabilization network (LISN). All other support equipments powered from additional LISN(s). The LISN provide 50 Ohm/ 50uH of coupling impedance for the measuring instrument.
- b. Interconnecting cables that hang closer than 40 cm to the ground plane shall be folded back and forth in the center forming a bundle 30 to 40 cm long.
- c. I/O cables that are not connected to a peripheral shall be bundled in the center. The end of the cable may be terminated, if required, using the correct terminating impedance. The overall length shall not exceed 1 m.
- d. LISN at least 80 cm from nearest part of EUT chassis.
- e. For the actual test configuration, please refer to the related Item –EUT Test Photos.

3.1.3 DEVIATION FROM TEST STANDARD

No deviation

3.1.4 TEST SETUP



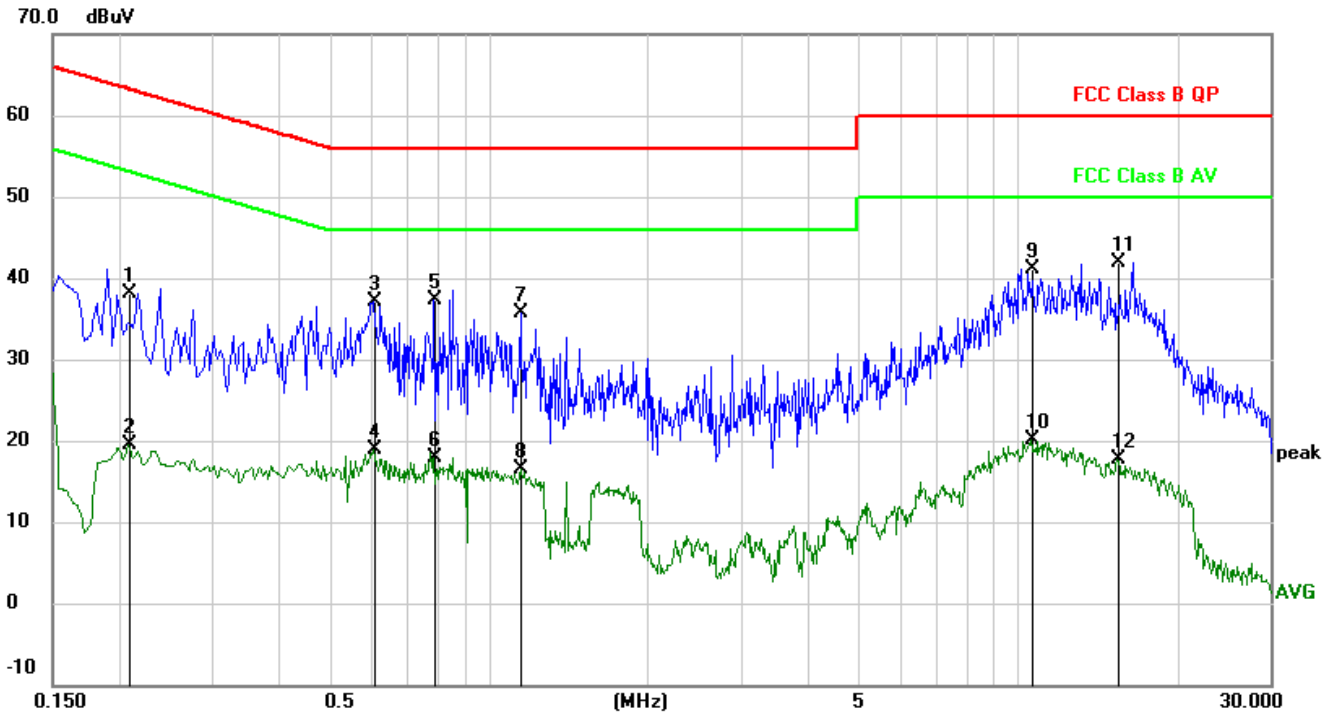
- Note: 1.Support units were connected to second LISN.**
2.Both of LISNs (AMN) are 80 cm from EUT and at least 80 from other units and other metal planes

3.1.5 EUT OPERATING CONDITIONS

The EUT was configured for testing in a typical fashion (as a customer would normally use it). The EUT has been programmed to continuously transmit during test. This operating condition was tested and used to collect the included data.

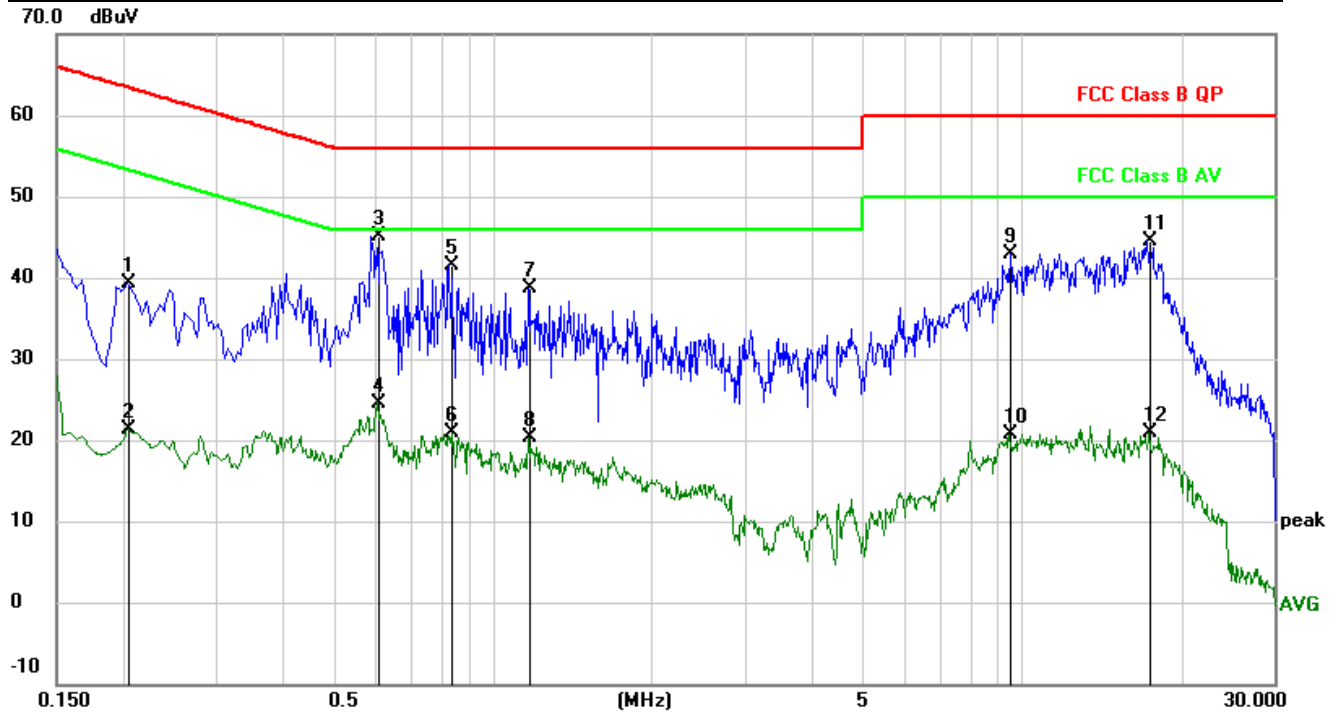
3.1.6 TEST RESULTS

EUT :	Bluetooth Hearphone Amp	Model Name. :	FB1121
Temperature :	26 °C	Relative Humidity :	54%
Pressure :	1010hPa	Phase :	L
Test Voltage :	DC 5Vfrom adapter AC 120V/60Hz	Test Mode :	Mode 2



No.	Mk.	Freq. MHz	Reading Level dBuV	Correct Factor dB	Measure- ment dBuV	Limit dBuV	Over dB	Detector	Comment
1		0.2085	38.12	-0.03	38.09	63.26	-25.17	QP	
2		0.2085	19.44	-0.03	19.41	53.26	-33.85	AVG	
3		0.6045	37.09	-0.03	37.06	56.00	-18.94	QP	
4		0.6045	18.85	-0.03	18.82	46.00	-27.18	AVG	
5		0.7890	37.40	-0.03	37.37	56.00	-18.63	QP	
6		0.7890	18.01	-0.03	17.98	46.00	-28.02	AVG	
7		1.1490	35.79	-0.04	35.75	56.00	-20.25	QP	
8		1.1490	16.54	-0.04	16.50	46.00	-29.50	AVG	
9		10.6125	41.28	-0.10	41.18	60.00	-18.82	QP	
10		10.6125	20.26	-0.10	20.16	50.00	-29.84	AVG	
11	*	15.4005	42.11	-0.18	41.93	60.00	-18.07	QP	
12		15.4005	17.79	-0.18	17.61	50.00	-32.39	AVG	

EUT :	Bluetooth Hearphone Amp	Model Name. :	FB1121
Temperature :	26 °C	Relative Humidity :	54%
Pressure :	1010hPa	Phase :	N
Test Voltage :	DC 5Vfrom adapter AC 120V/60Hz	Test Mode :	Mode 2



No.	Mk.	Freq. MHz	Reading Level dBuV	Correct Factor dB	Measure- ment dBuV	Limit dBuV	Over dB	Detector	Comment
1		0.2040	39.41	-0.03	39.38	63.45	-24.07	QP	
2		0.2040	21.33	-0.03	21.30	53.45	-32.15	AVG	
3	*	0.6045	45.05	-0.03	45.02	56.00	-10.98	QP	
4		0.6045	24.63	-0.03	24.60	46.00	-21.40	AVG	
5		0.8385	41.60	-0.03	41.57	56.00	-14.43	QP	
6		0.8385	20.88	-0.03	20.85	46.00	-25.15	AVG	
7		1.1715	38.76	-0.04	38.72	56.00	-17.28	QP	
8		1.1715	20.26	-0.04	20.22	46.00	-25.78	AVG	
9		9.4830	42.91	-0.08	42.83	60.00	-17.17	QP	
10		9.4830	20.87	-0.08	20.79	50.00	-29.21	AVG	
11		17.4705	44.63	-0.21	44.42	60.00	-15.58	QP	
12		17.4705	21.10	-0.21	20.89	50.00	-29.11	AVG	

3.2 RADIATED EMISSION MEASUREMENT

3.2.1 RADIATED EMISSION LIMITS (Frequency Range 9kHz-1000MHz)

20dBc in any 100 kHz bandwidth outside the operating frequency band. In case the emission fall within the restricted band specified on 15.205(a), then the 15.209(a) limit in the table below has to be followed.

Frequencies (MHz)	Field Strength (microrvolts/meter)	Measurement Distance (meters)
0.009~0.490	2400/F(KHz)	300
0.490~1.705	24000/F(KHz)	30
1.705~30.0	30	30
30~88	100	3
88~216	150	3
216~960	200	3
Above 960	500	3

Spectrum Parameter	Setting
Attenuation	Auto
Start Frequency	1000 MHz
Stop Frequency	10th carrier harmonic
RB / VB (emission in restricted band)	1 MHz / 1 MHz for Peak, 1 MHz / 10Hz for Average

Receiver Parameter	Setting
Attenuation	Auto
Start ~ Stop Frequency	9kHz~150kHz / RB 200Hz for QP
Start ~ Stop Frequency	150kHz~30MHz / RB 9kHz for QP
Start ~ Stop Frequency	30MHz~1000MHz / RB 120kHz for QP

3.2.2 TEST PROCEDURE

- The measuring distance of at 3 m shall be used for measurements at frequency up to 1GHz. For frequencies above 1GHz, any suitable measuring distance may be used.
- The EUT was placed on the top of a rotating table 0.8 meters above the ground at a 3 meter open area test site. The table was rotated 360 degrees to determine the position of the highest radiation.
- The height of the equipment or of the substitution antenna shall be 0.8 m; the height of the test antenna shall vary between 1 m to 4 m. Both horizontal and vertical polarizations of the antenna are set to make the measurement.
- The initial step in collecting conducted emission data is a spectrum analyzer peak detector mode pre-scanning the measurement frequency range. Significant peaks are then marked and then Quasi Peak detector mode re-measured.

- e. If the Peak Mode measured value compliance with and lower than Quasi Peak Mode Limit, the EUT shall be deemed to meet QP Limits and then no additional QP Mode measurement performed.
- f. For the actual test configuration, please refer to the related Item –EUT Test Photos.

Note:

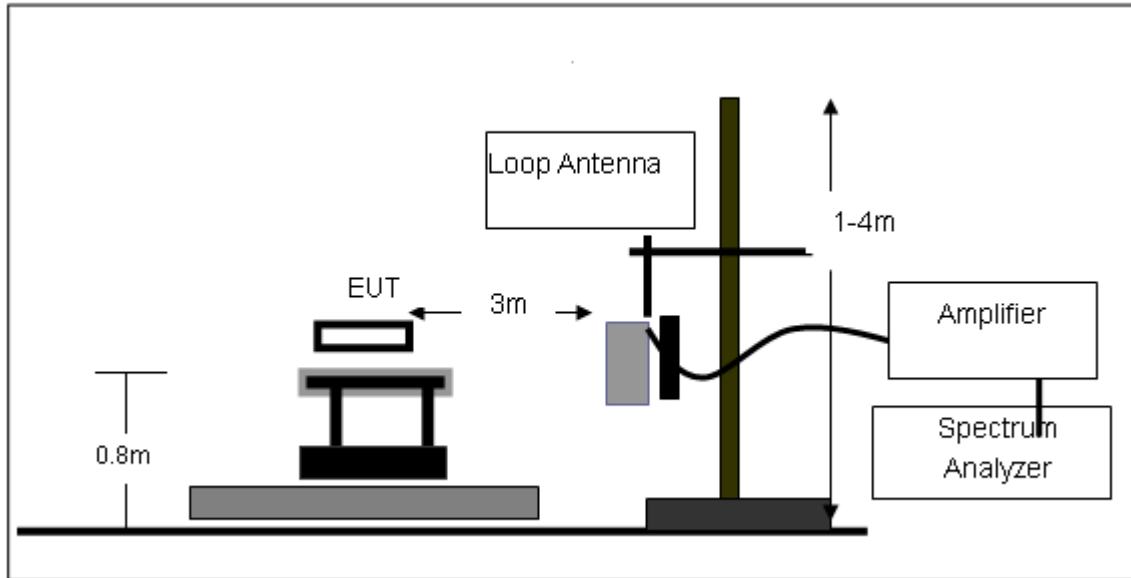
Both horizontal and vertical antenna polarities were tested and performed pretest to three orthogonal axis. The worst case emissions were reported

3.2.3 DEVIATION FROM TEST STANDARD

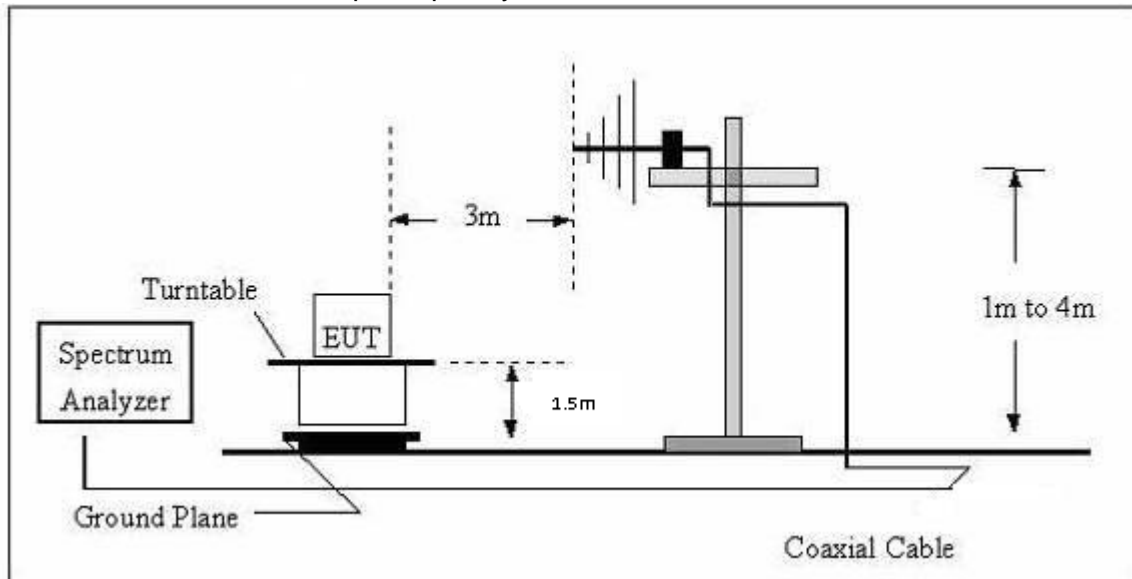
No deviation

3.2.4 TEST SETUP

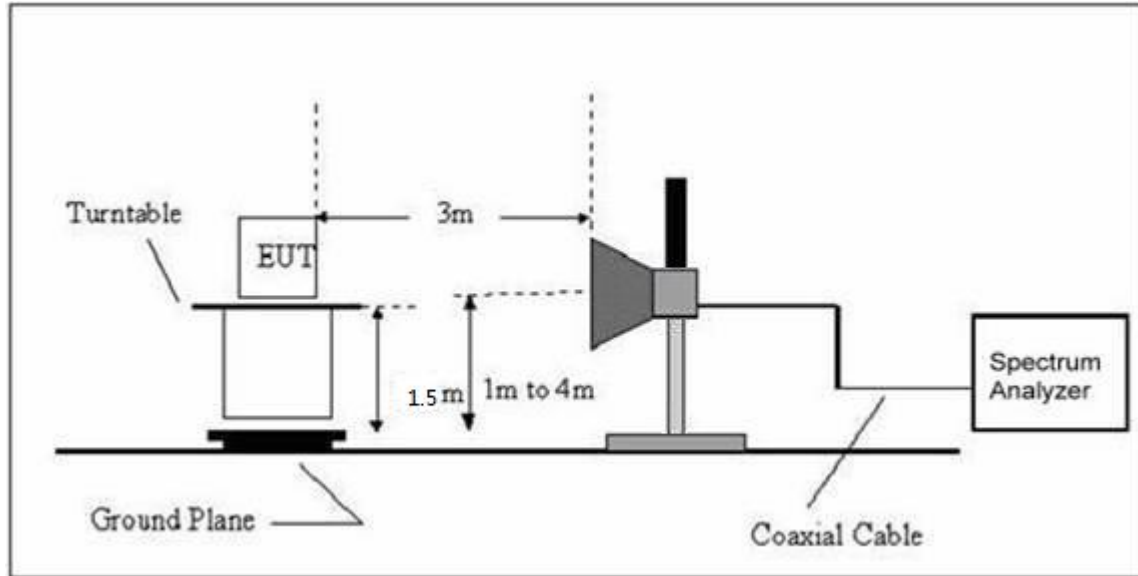
(A) Radiated Emission Test-Up Frequency Below 30MHz



(B) Radiated Emission Test-Up Frequency 30MHz~1GHz



(C) Radiated Emission Test-Up Frequency Above 1GHz



3.2.5 EUT OPERATING CONDITIONS

The EUT tested system was configured as the statements of 2.4 Unless otherwise a special operating condition is specified in the follows during the testing.

3.2.6 TEST RESULTS (BETWEEN 9KHZ – 30 MHZ)

EUT:	Bluetooth Hearphone Amp	Model Name. :	FB1121
Temperature:	20 °C	Relative Humidity:	48%
Pressure:	1010 hPa	Test Voltage :	DC 5V from adapter AC 120V/60Hz
Test Mode :	TX	Polarization :	--

Freq.	Reading	Limit	Margin	State
(MHz)	(dBuV/m)	(dBuV/m)	(dB)	P/F
--	--	--	--	PASS
--	--	--	--	PASS

NOTE:

The amplitude of spurious emissions which are attenuated by more than 20dB below the permissible value has no need to be reported.

Distance extrapolation factor = $40 \log(\text{specific distance}/\text{test distance})(\text{dB})$;

Limit line = specific limits(dBuv) + distance extrapolation factor.

3.2.7 TEST RESULTS (BETWEEN 30MHZ – 1GHZ)

EUT :	Bluetooth Hearphone Amp	Model Name :	FB1121
Temperature :	20 °C	Relative Humidity :	48%
Pressure:	1010 hPa	Test Voltage :	DC 5V from adapter
Test Mode :	TX		

Polar (H/V)	Frequency	Meter Reading	Factor	Emission Level	Limits	Margin	Detector Type
	(MHz)	(dBUV)	(dB)	(dBUV/m)	(dBUV/m)	(dB)	
V	119.4360	17.83	12.08	27.88	43.5	15.62	QP
V	128.1124	15.45	12.72	27.65	43.5	15.45	QP
V	170.7926	21.81	10.35	31.57	43.5	11.43	QP
V	341.9786	12.03	16.14	28.22	46	17.78	QP
V	468.8771	16.19	19.69	36.52	46	9.78	QP
V	935.5462	10.82	29.47	39.85	46	6.17	QP
H	170.7943	26.63	10.37	36.98	43.5	6.57	QP
H	341.9786	23.73	16.15	40.02	46	5.98	QP
H	468.8781	20.92	19.69	40.12	46	5.81	QP
H	726.8032	14.13	26.43	40.73	46	5.29	QP
H	813.1114	16.73	26.75	42.58	46	3.42	QP
H	854.0257	12.54	27.81	40.04	46	5.91	QP

Remark:

Absolute Level= ReadingLevel+ Factor, Margin= Absolute Level- Limit

Factor = Antenna Factor + Cable Loss – Pre-amplifier.

Factor added by measurement software automatically

3.2.8 TEST RESULTS (1G-25GHZ)

BLE

Normal Voltage

Polar (H/V)	Frequency	Meter Reading	Factor	Emission Level	Limits	Margin	Detector Type
	(MHz)	(dBuV)	(dB)	(dBuV/m)	(dBuV/m)	(dB)	
Low Channel (2402 MHz)							
Vertical	2491.777	59.74	-11.65	48.09	74	25.31	Pk
Horizontal	2498.247	56.64	-12.73	43.91	74	30.79	Pk
Vertical	4804.184	56.63	2.6	51.23	74	14.47	Pk
Horizontal	4804.184	56.97	5.23	52.18	74	11.42	Pk
Vertical	1485.838	60.44	-17.1	43.34	74	30.67	Pk
Vertical	1636.784	60.17	-16.06	44.07	74	29.43	Pk
Vertical	2095.928	58.94	-11.88	47.06	74	26.94	Pk
Horizontal	1074.301	60.65	-19.69	40.98	74	33.72	Pk
Horizontal	1483.178	59.67	-17.09	42.57	74	31.13	Pk
Horizontal	1895.832	56.61	-14.25	42.43	74	31.47	Pk
Mid Channel (2440 MHz)							
Vertical	2474.777	56.52	-11.65	44.87	74	29.13	Pk
Horizontal	2474.144	57.05	-9.37	47.68	74	26.34	Pk
Vertical	4880.425	56.68	2.65	51.33	74	14.47	Pk
Horizontal	4880.979	57.01	5.33	48.34	74	11.66	Pk
Vertical	1433.535	63.42	-17.12	46.3	74	27.71	Pk
Vertical	1636.784	60.75	-16.06	44.69	74	29.31	Pk
Vertical	2284.166	54.49	-12.83	41.66	74	32.34	Pk
Horizontal	1280.515	60.15	-17.82	42.33	74	31.64	Pk
Horizontal	1636.784	58.98	-16.06	42.92	74	31.08	Pk
Horizontal	1892.438	59.1	-14.28	44.82	74	29.12	Pk
High Channel (2480 MHz MHz)							
Vertical	2453.883	57.02	-12.91	44.11	74	29.81	Pk
Horizontal	2453.839	57.02	-11.59	45.43	74	27.27	Pk
Vertical	4960.325	53.94	2.69	46.63	74	17.37	Pk
Horizontal	4960.683	54.12	5.44	49.56	74	14.74	Pk
Vertical	1187.688	58.45	-18.27	49.78	74	34.22	Pk
Vertical	1636.784	56.84	-16.06	40.8	74	33.25	Pk
Vertical	2084.693	54.45	-11.99	42.46	74	31.54	Pk
Horizontal	1534.540	57.17	-16.94	40.17	74	33.43	Pk
Horizontal	1786.985	56.89	-15.04	41.78	74	32.27	Pk
Horizontal	1892.438	56.98	-14.28	42.42	74	31.52	Pk

BAND EDGE(Radiated)

Frequency (MHz)	Meter Reading (dB μ V)	Factor (dB)	Emission Level (dB μ V/m)	Limits (dB μ V/m)	Margin (dB)	Detector Type	Comment
BLE							
2390	58.02	-13.06	44.95	74	29.04	peak	Vertical
2390	58.48	-13.06	45.47	74	28.58	peak	Horizontal
2483.5	57.7	-12.78	44.72	74	29.08	peak	Vertical
2483.5	56.06	-12.78	43.35	74	30.72	peak	Horizontal

NOTE: The PK value is less than the AV value, AV value is not required.

4. POWER SPECTRAL DENSITY TEST

4.1 APPLIED PROCEDURES / LIMIT

FCC Part15 (15.247) , Subpart C				
Section	Test Item	Limit	Frequency Range (MHz)	Result
15.247	Power Spectral Density	8 dBm (in any 3KHz)	2400-2483.5	PASS

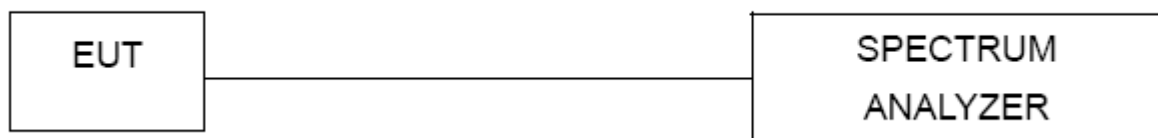
4.1.1 TEST PROCEDURE

1. Set analyzer center frequency to DTS channel center frequency.
2. Set the span to 1.5 times the DTS channel bandwidth.
3. Set the RBW \geq 3 kHz.
4. Set the VBW \geq 3 x RBW.
5. Detector = peak.
6. Sweep time = auto couple.
7. Trace mode = max hold.
8. Allow trace to fully stabilize.
9. Use the peak marker function to determine the maximum amplitude level.
10. If measured value exceeds limit, reduce RBW (no less than 3 kHz) and repeat.

4.1.2 DEVIATION FROM STANDARD

No deviation.

4.1.3 TEST SETUP



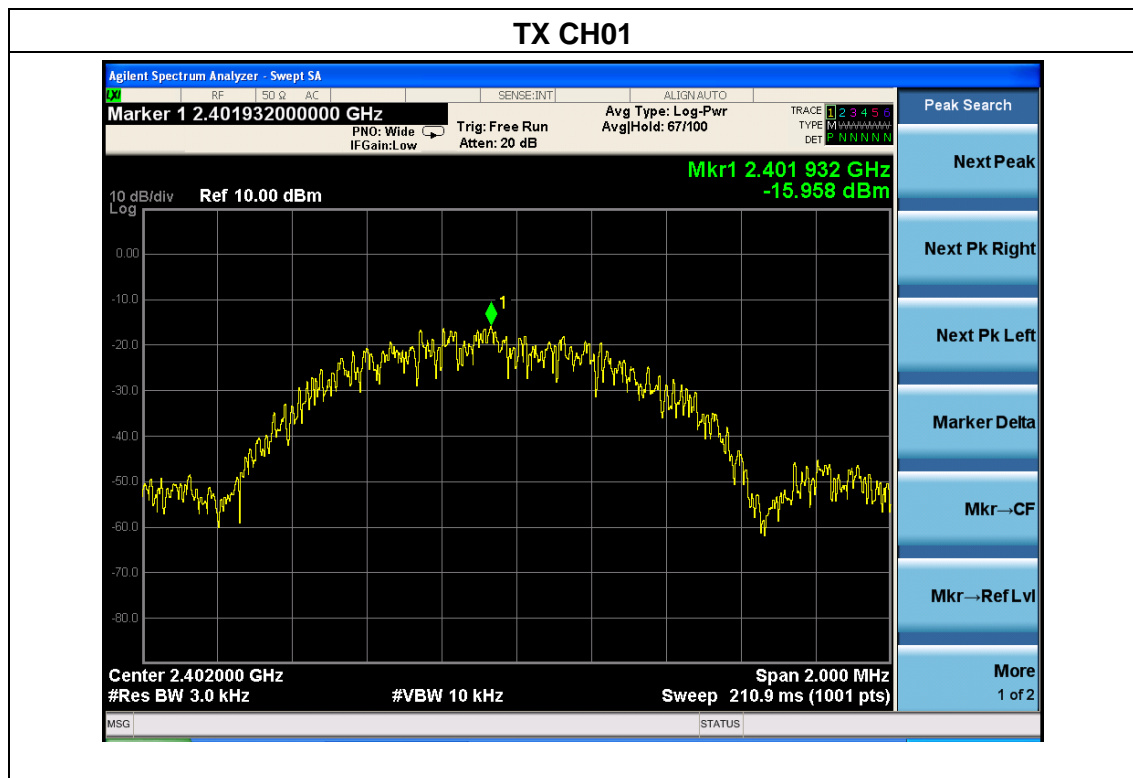
4.1.4 EUT OPERATION CONDITIONS

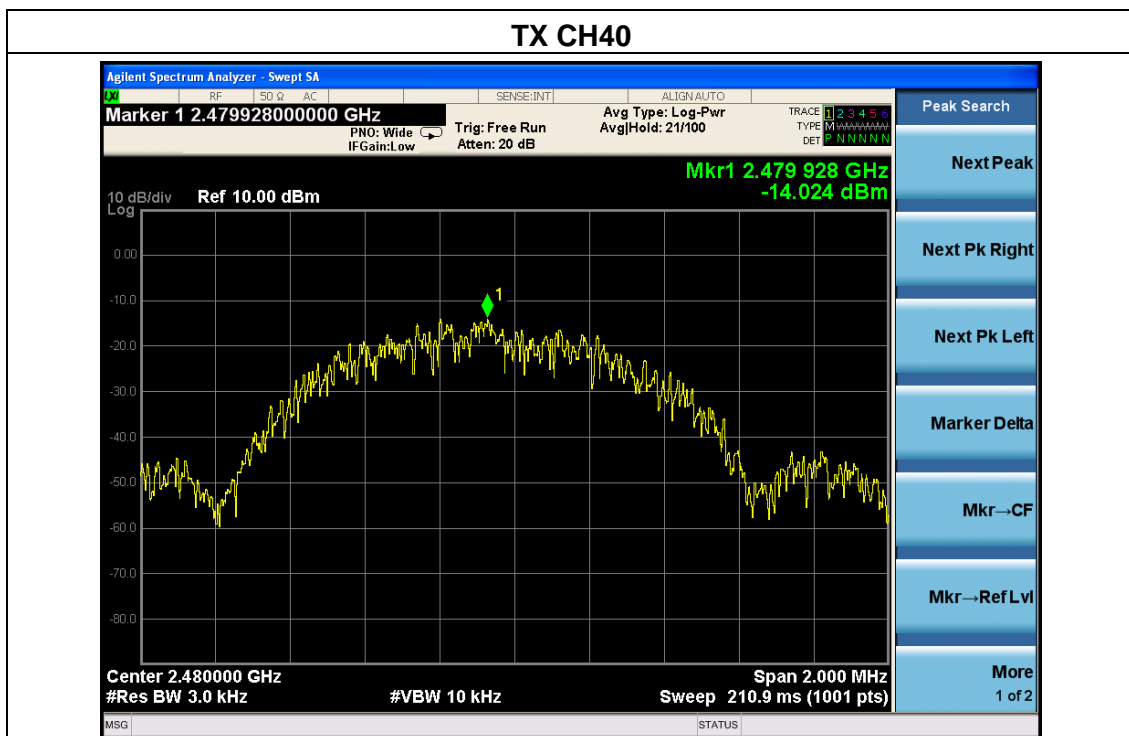
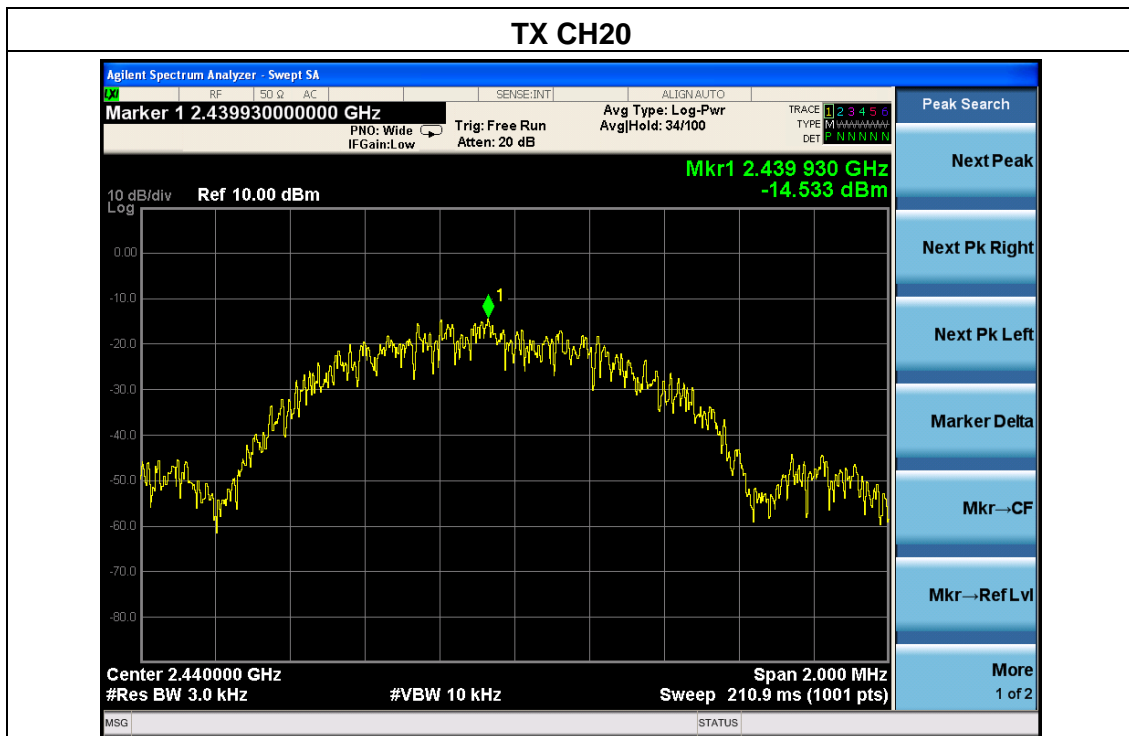
The EUT tested system was configured as the statements of 2.1 Unless otherwise a special operating condition is specified in the follows during the testing.

4.1.5 TEST RESULTS

EUT :	Bluetooth Hearphone Amp	Model Name :	FB1121
Temperature :	25 °C	Relative Humidity :	60%
Pressure :	1015 hPa	Test Voltage :	DC 5V from adapter
Test Mode :	TX Mode /CH01, CH20, CH40		

Frequency	Power Density (dBm)	Limit (dBm)	Result
2402 MHz	-15.958	8	PASS
2440 MHz	-14.533	8	PASS
2480 MHz	-14.024	8	PASS





5. BANDWIDTH TEST

5.1 APPLIED PROCEDURES / LIMIT

FCC Part15 (15.247) , Subpart C				
Section	Test Item	Limit	Frequency Range (MHz)	Result
15.247(a)(2)	Bandwidth	$\geq 500\text{KHz}$ (6dB bandwidth)	2400-2483.5	PASS

5.1.1 TEST PROCEDURE

1. Set RBW= 100 kHz.
2. Set the video bandwidth (VBW) $\geq 3 \times$ RBW.
3. Detector = Peak.
4. Trace mode = max hold.
5. Sweep = auto couple.
6. Allow the trace to stabilize.
7. Measure the maximum width of the emission that is constrained by the frequencies associated with the two outermost amplitude points (upper and lower) that are attenuated by 6 dB relative to the maximum level measured in the fundamental emission.

5.1.2 DEVIATION FROM STANDARD

No deviation.

5.1.3 TEST SETUP



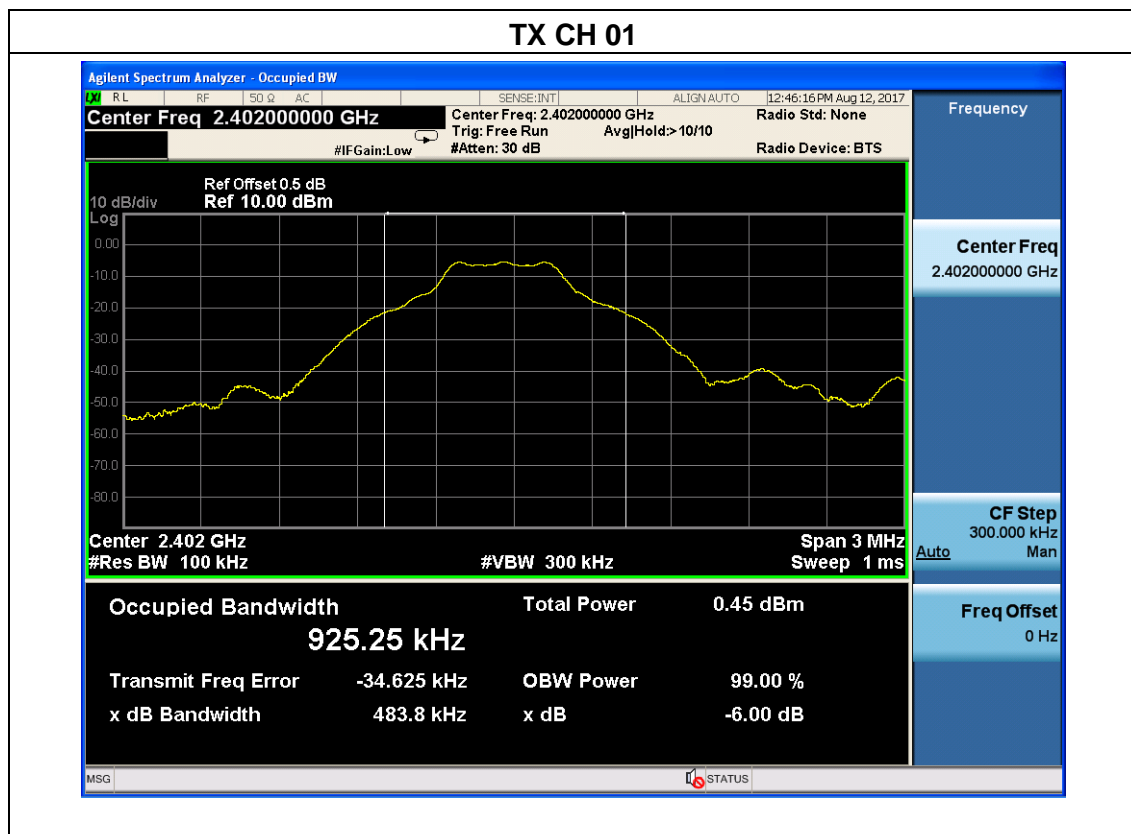
5.1.4 EUT OPERATION CONDITIONS

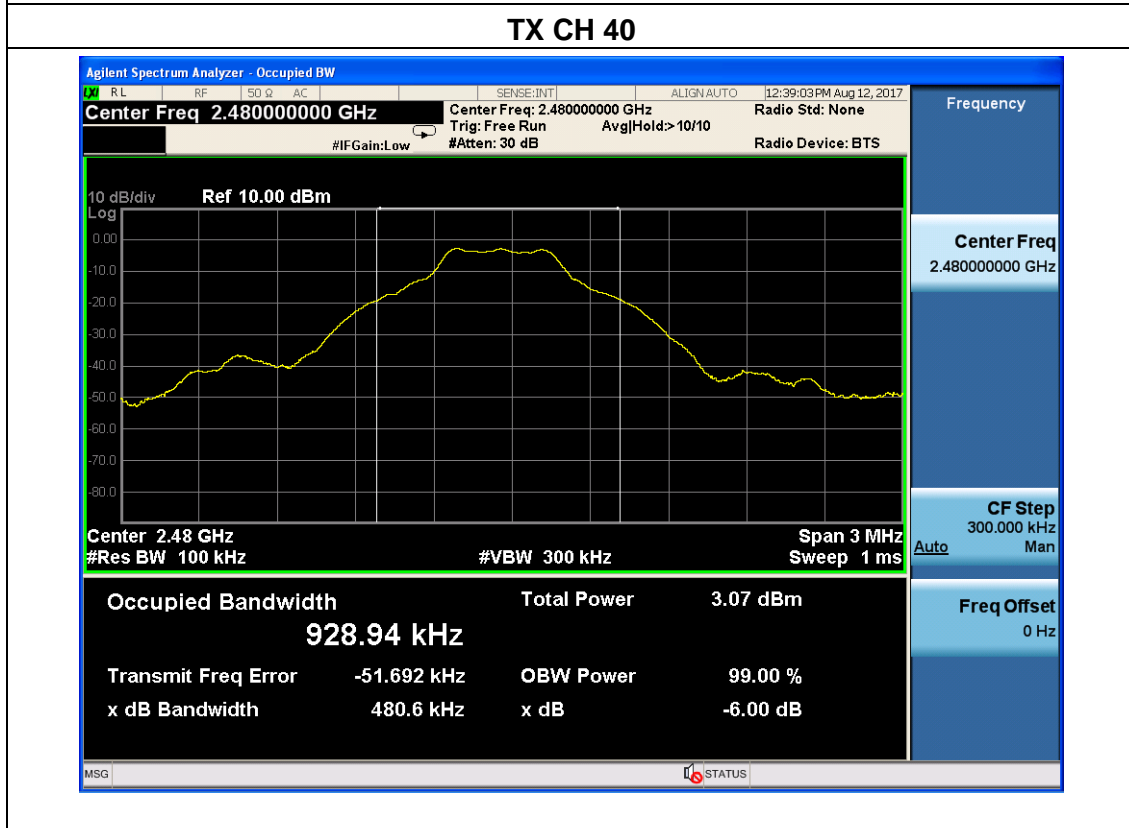
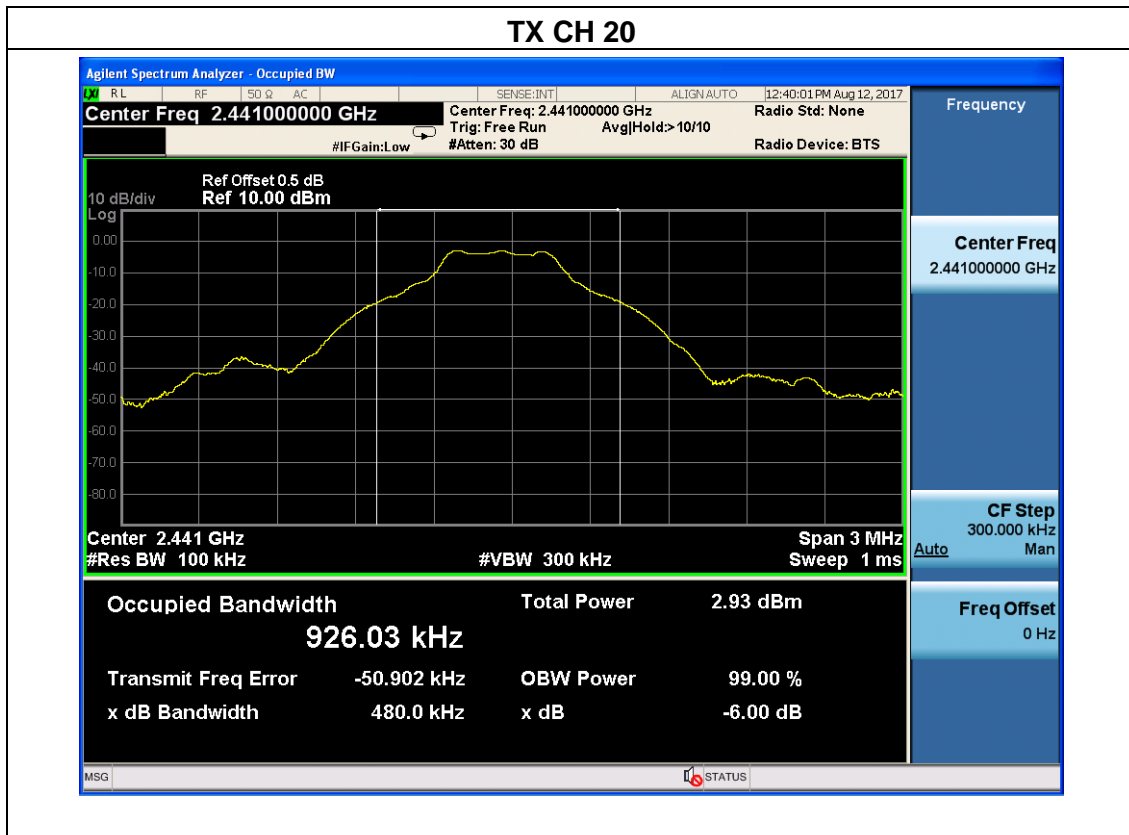
The EUT tested system was configured as the statements of 2.4 Unless otherwise a special operating condition is specified in the follows during the testing.

5.1.5 TEST RESULTS

EUT :	Bluetooth Hearphone Amp	Model Name :	FB1121
Temperature :	25 °C	Relative Humidity :	60%
Pressure :	1012 hPa	Test Voltage :	DC 5Vfrom adapter
Test Mode :	TX Mode /CH01, CH20, CH40		

Channel	Frequency (MHz)	6dB bandwidth (KHz)	Limit (kHz)	Result
Low	2402	483.8	500	Pass
Middle	2440	680.0	500	Pass
High	2480	480.6	500	Pass





6. PEAK OUTPUT POWER TEST

6.1 APPLIED PROCEDURES / LIMIT

FCC Part15 (15.247) , Subpart C				
Section	Test Item	Limit	Frequency Range (MHz)	Result
15.247(b)(3)	Peak Output Power	1 watt or 30dBm	2400-2483.5	PASS

6.1.1 TEST PROCEDURE

- a. The EUT was directly connected to the Power meter

6.1.2 DEVIATION FROM STANDARD

No deviation.

6.1.3 TEST SETUP



6.1.4 EUT OPERATION CONDITIONS

The EUT tested system was configured as the statements of 2.4 Unless otherwise a special operating condition is specified in the follows during the testing.

6.1.5 TEST RESULTS

EUT :	Bluetooth Hearphone Amp	Model Name :	FB1121
Temperature :	25 °C	Relative Humidity :	60%
Pressure :	1012 hPa	Test Voltage :	DC 5Vfrom adapter
Test Mode :	TX Mode /CH01, CH20, CH40		

TX BLE Mode			
Test Channe	Frequency	Maximum Conducted Output Power(PK)	LIMIT
	(MHz)	(dBm)	dBm
CH01	2402	-5.182	30
CH20	2440	-2.783	30
CH40	2480	-2.139	30

///

7. 100 KHZ BANDWIDTH OF FREQUENCY BAND EDGE

APPLICABLE STANDARD

In any 100 kHz bandwidth outside the frequency band in which the spread spectrum or digitally modulated intentional radiator is operating, the radio frequency power that is produced by the intentional radiator shall be at least 20 dB below that in the 100 kHz bandwidth within the band that contains the highest level of the desired power, based on either an RF conducted or a radiated measurement, provided the transmitter demonstrates compliance with the peak conducted power limits. If the transmitter complies with the conducted power limits based on the use of RMS averaging over a time interval, as permitted under paragraph (b)(3) of this section, the attenuation required under this paragraph shall be 30 dB instead of 20 dB. Attenuation below the general limits specified in §15.209(a) is not required. In addition, radiated emissions which fall in the restricted bands, as defined in §15.205(a), must also comply with the radiated emission limits specified in §15.209(a) (see §15.205(c)).

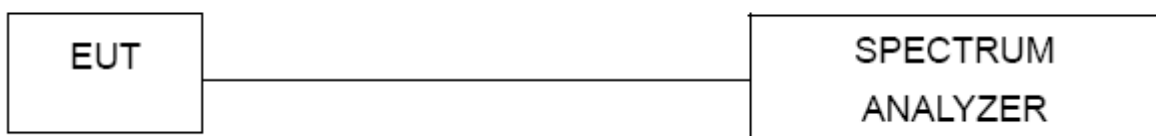
TEST PROCEDURE

- a) Check the calibration of the measuring instrument using either an internal calibrator or a known signal from an external generator.
- b) Position the EUT without connection to measurement instrument. Turn on the EUT and connect its antenna terminal to measurement instrument via a low loss cable. Then set it to any one measured frequency within its operating range, and make sure the instrument is operated in its linear range.
- c) Set RBW to 100 kHz and VBW of spectrum analyzer to 300 kHz with a convenient frequency span including 100 kHz bandwidth from band edge.
- d) Measure the highest amplitude appearing on spectral display and set it as a reference level. Plot the graph with marking the highest point and edge frequency.
- e) Repeat above procedures until all measured frequencies were complete.

7.1 DEVIATION FROM STANDARD

No deviation.

7.2 TEST SETUP



7.3 EUT OPERATION CONDITIONS

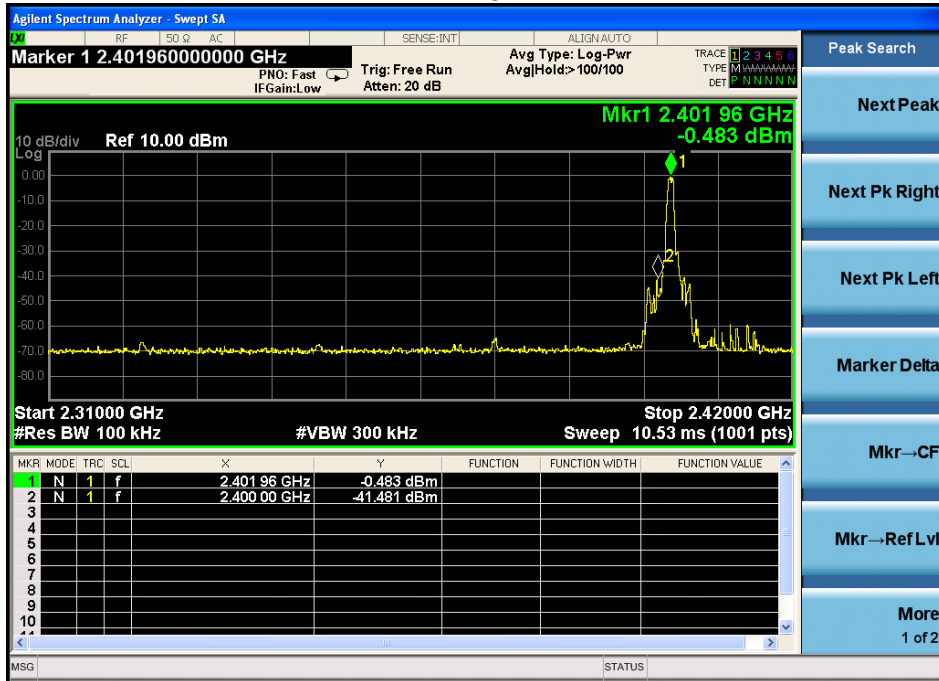
The EUT tested system was configured as the statements of 2.4 Unless otherwise a special operating condition is specified in the follows during the testing.

7.4 TEST RESULTS

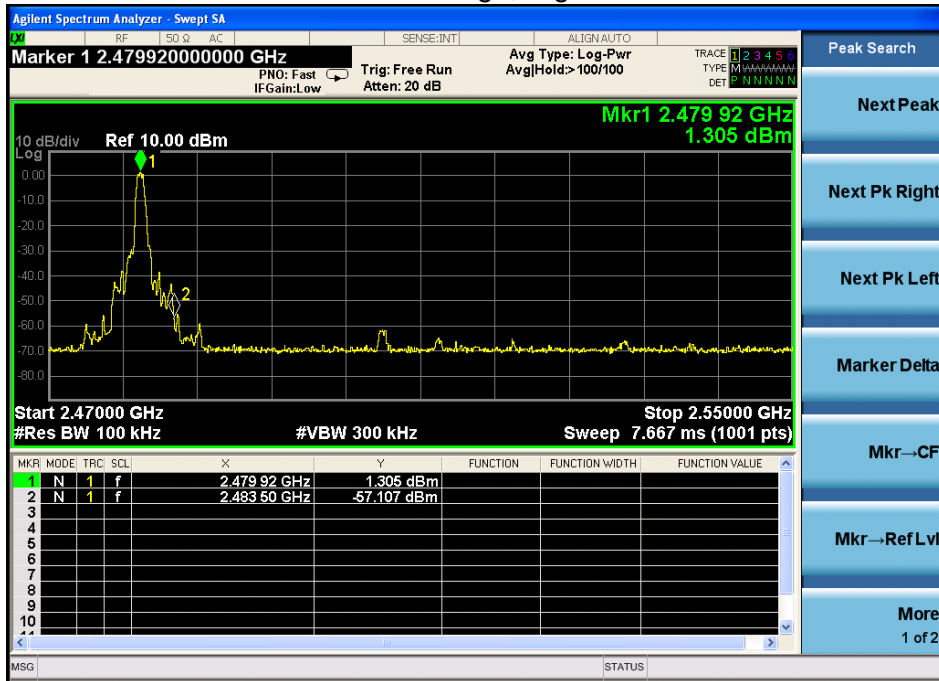
EUT :	Bluetooth Hearphone Amp	Model Name :	FB1121
Temperature :	25 °C	Relative Humidity :	60%
Pressure :	1012 hPa	Test Voltage :	DC 5Vfrom adapter

Frequency Band	Delta Peak to band emission (dBc)	> Limit (dBc)	Result
BLE mode			
Left-band	40.998	20	Pass
Right-band	58.412	20	Pass

BLE: Band Edge, Left Side



BLE: Band Edge, Right Side



8. ANTENNA REQUIREMENT

8.1 STANDARD REQUIREMENT

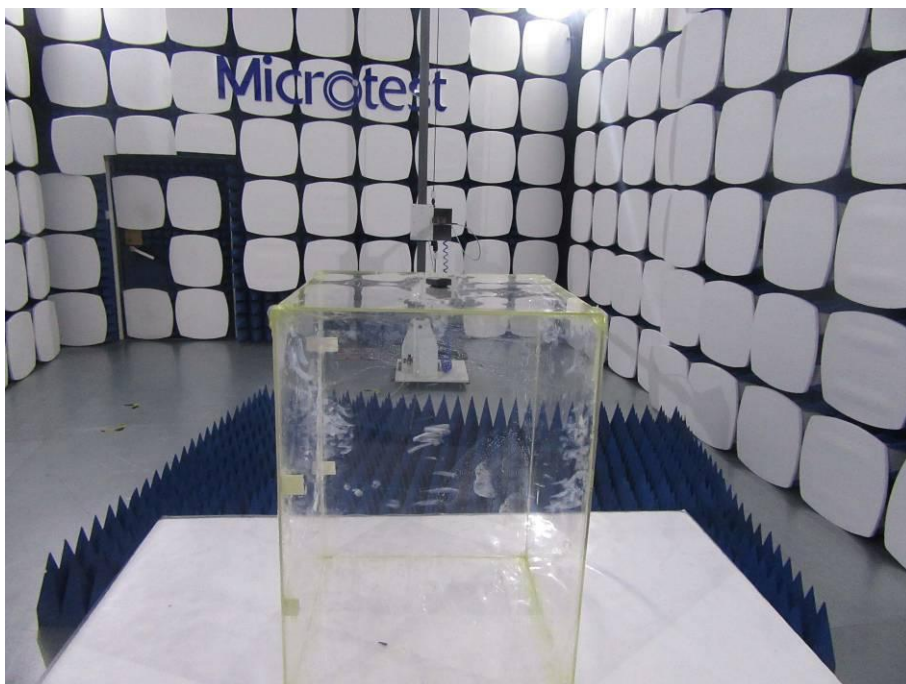
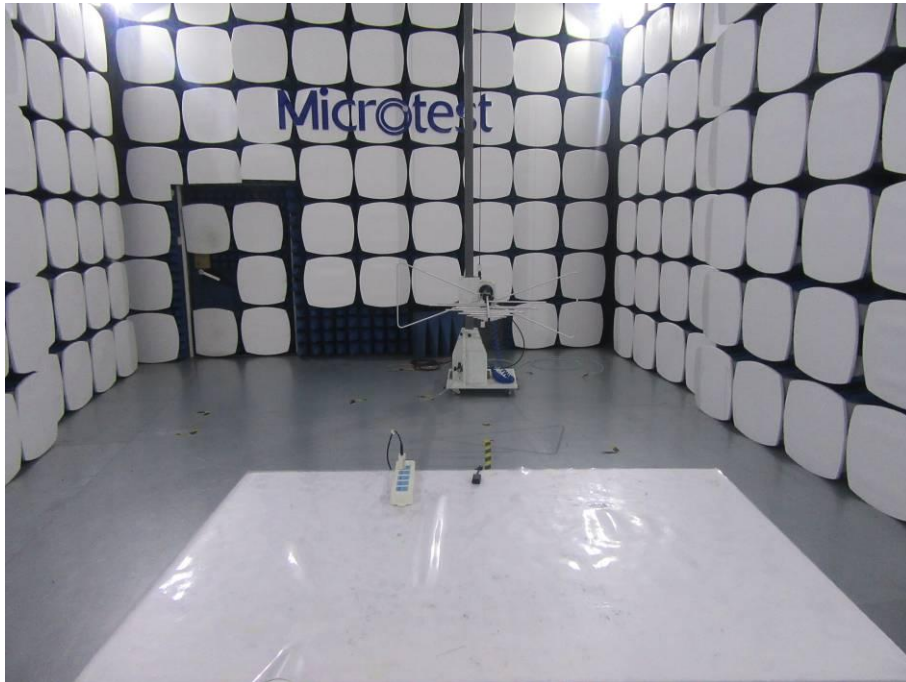
15.203 requirement: For intentional device, according to 15.203: an intentional radiator shall be designed to ensure that no antenna other than that furnished by the responsible party shall be used with the device.

8.2 EUT ANTENNA

The EUT antenna is Chip antenna. It comply with the standard requirement. In case of replacement of broken antenna the same antenna type must be used.

9. EUT TEST PHOTO

Radiated Measurement Photos



CONDUCTED EMISSION Photos



----END OF REPORT----