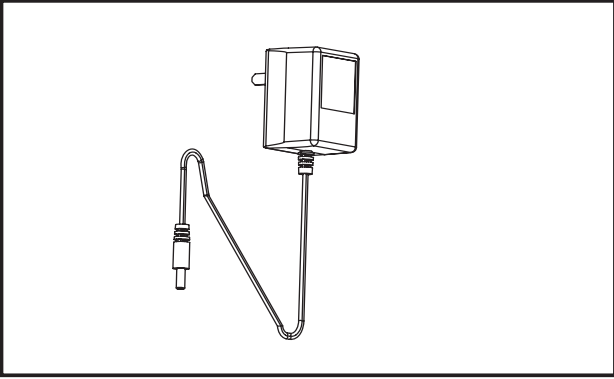
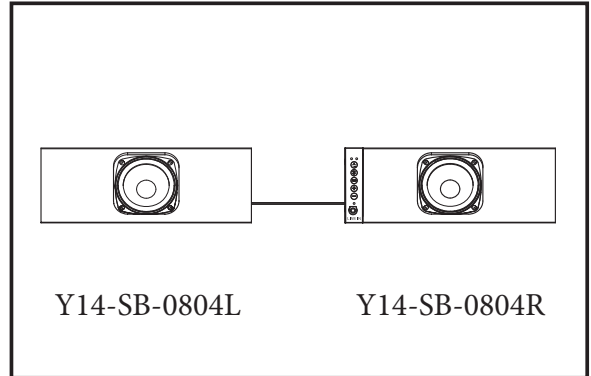
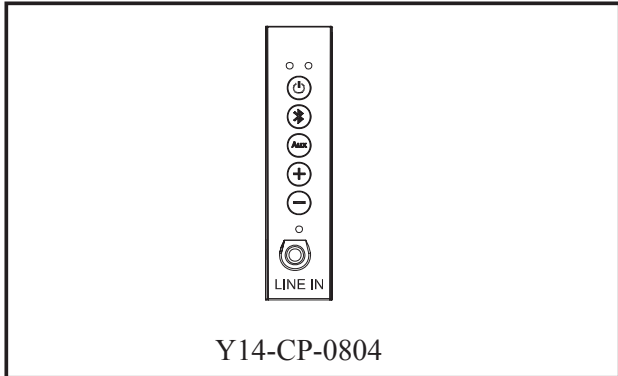


HARDWARE LIST



Y14-0804-PC



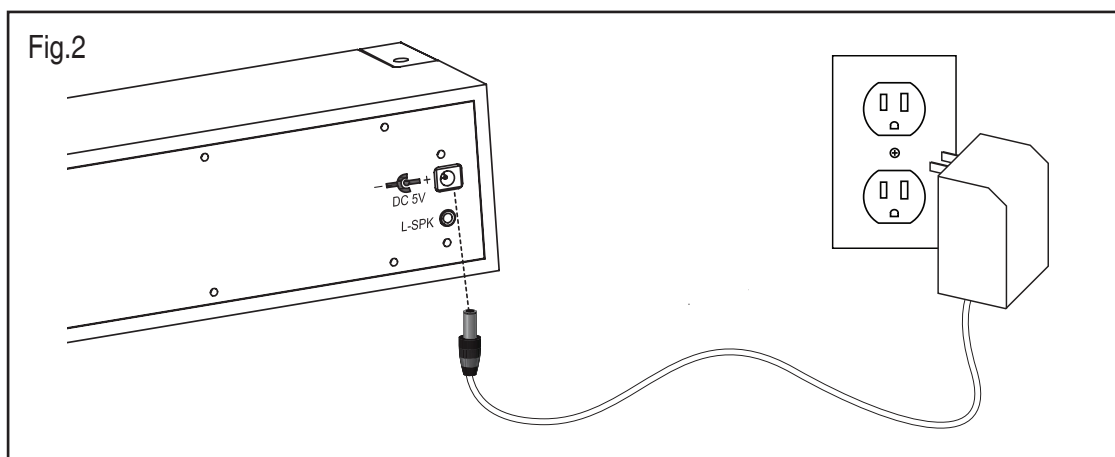
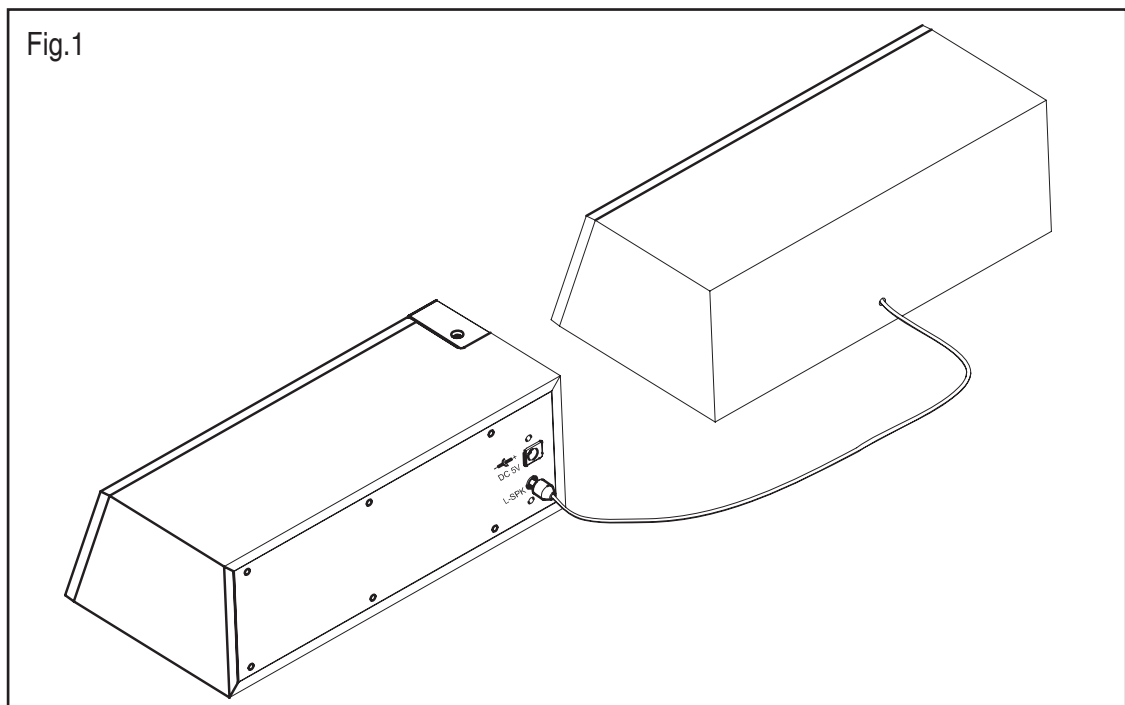
Sound System: TS-0804

PRODUCT SPECIFICATIONS

Adapter Input	AC100-240V, 50/60Hz
Adapter Output	DC 5V 1.2A
Power Consumption	6 Watts
Standby Power Consumption	< 1 W
Peak Music Power Output	30 W

WIRING

1. Plug the speaker connecting cable into the L-SPK jack as shown in Fig.1.
2. Plug the included AC/DC power adapter into the DC POWER INPUT on the unit (Fig.2.)



OPERATION

POWER

The POWER button supplies power to all of the functions of the sound system. The POWER button will put the sound system in a standby mode.

INPUT SELECT

The speakers can play audio two ways; either by using a bluetooth connection or by using the auxiliary 3.5mm line in.

To use the Bluetooth connection:



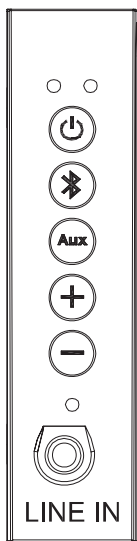
Press the Bluetooth button to begin searching for other smartphones and devices. The blue light on the control panel will flash indicating the unit is searching for devices. Selecting "sound system" from your device will link it to the speakers and allow to stream audio from up to 30 feet away. The light will stay continuously lit once a connection has been made to the device.

To play audio using the Auxiliary 3.5 Line In



Press the Aux button, the green light on the control panel indicates the auxiliary line input is selected. Using a 3.5mm cable (not included) plugged into the "LINE IN" Jack the speakers will play audio.

CONTROLS








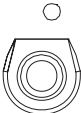
-  - Main Power
-  - Bluetooth
-  - Line in
-  - Adjust Volume
-  - Adjust Volume
-  - Line in Jack

Fig.3 Control Panel

FCC Statement

This equipment has been tested and found to comply with the limits for a Class B digital device, pursuant to part 15 of the FCC Rules. These limits are designed to provide reasonable protection against harmful interference in a residential installation. This equipment generates, uses and can radiate radio frequency energy and, if not installed and used in accordance with the instructions, may cause harmful interference to radio communications. However, there is no guarantee that interference will not occur in a particular installation. If this equipment does cause harmful interference to radio or television reception, which can be determined by turning the equipment off and on, the user is encouraged to try to correct the interference by one or more of the following measures:

- Reorient or relocate the receiving antenna.
- Increase the separation between the equipment and receiver.
- Connect the equipment into an outlet on a circuit different from that to which the receiver is connected.
- Consult the dealer or an experienced radio/TV technician for help

Warning: Changes or modifications to this unit not expressly approved by the part responsible for compliance could void the user's authority to operate the equipment.

FCC Radiation Exposure Statement

This equipment complied with FCC radiation exposure limits set forth for an uncontrolled environment.

This equipment should be installed and operated with minimum distance 20cm between the radiator & your body.

TROUBLESHOOTING

PROBLEM	SOLUTION
1. Sound is distorted.	1a. Decrease the volume.
2. Unit gets warm after extended play at high volume.	2a. Turn the unit off for a period of time or lower the volume.
3. Only audio from one speaker.	3a. check the speaker cable.
4. No power.	4a. Check the AC outlet. 4b. Turn on the unit by pressing the Power button.
5. Audio not playing.	5a. Check the input select, whether you selection is correct 5b. Increase the volumn 5c. Check the power

CARE AND MAINTENANCE

Warning:

1. If the supply cord is damaged it must be replaced by the manufacturer, it's service agent or similarly qualified persons in order to avoid a hazard.
2. Only a qualified service person should repair this product.
3. Do not use outdoors.
4. Do not insert or allow foreign objects to enter the system as this may cause an electric shock, fire, or damage to the appliance.
5. Use this appliance only as described in the manual. Any other use not recommended by the manufacturer may cause fire, electric shock or injury to persons.

1-YEAR LIMITED WARRANTY

The manufacturer warrants that the speakers are free from manufacturing and material defects for a period of one year from date of purchase, subject to the following conditions and limitations.

1. Install and operate the speakers in accordance with the installation and operating instructions furnished with the product at all times. Any unauthorized repair, alteration, willful abuse, accident, or misuse of the product shall nullify this warranty.
2. This warranty is non-transferable, and is made to the original owner, provided that the purchase was made through an authorized supplier of the product.
3. The warranty is limited to the repair or replacement of part(s) found to be defective in material or workmanship, provided that such part(s) have been subjected to normal conditions of use and service, after said defect is confirmed by the manufacturer's inspection.
4. The manufacturer may, at its discretion, fully discharge all obligations with respect to this warranty by refunding the wholesale price of the defective part(s).
5. Any installation, labor, construction, transportation, or other related costs/expenses arising from defective part(s), repair, replacement, or otherwise of same, will not be covered by this warranty, or shall the manufacturer assume responsibility for same.
6. The owner/user assumes all other risks, if any, including the risk of any direct, indirect or consequential loss or damage arising out of the use, or inability to use the product, except as provided by law.
7. All other warranties – expressed or implied –with respect to the product, its components and accessories, or any obligations/liabilities on the part of the manufacturer are hereby expressly excluded.
8. The manufacturer neither assumes, nor authorizes any third party to assume on its behalf, any other liabilities with respect to the sale of the product.
9. The warranties as outlined within this document do not apply to non accessories used in conjunction with the installation of this product.
10. This warranty gives you specific legal rights, and you may also have other rights which vary from state to state.

This warranty is void if:

- a. The speakers are subjected to prolonged periods of dampness or condensation.
- b. Any unauthorized alteration, willful abuse, accident, or misuse of the product.
- c. You do not have the original receipt of purchase.