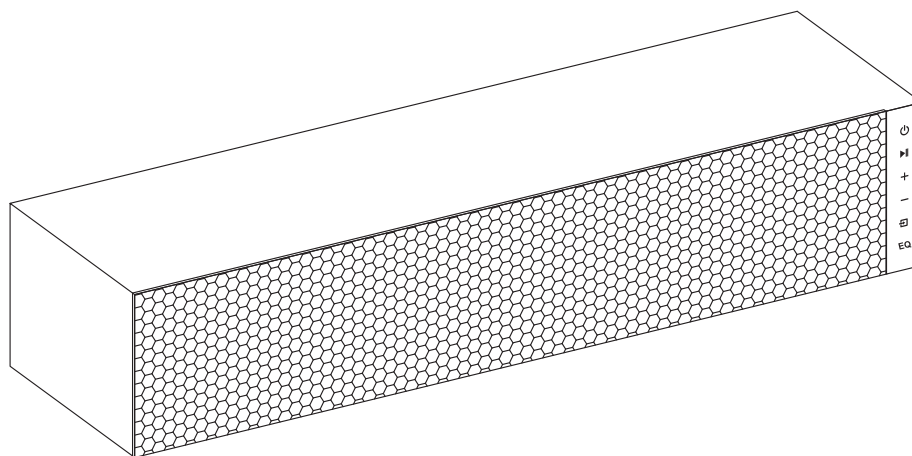


Sound System

ASSEMBLY, CARE & USE INSTRUCTIONS

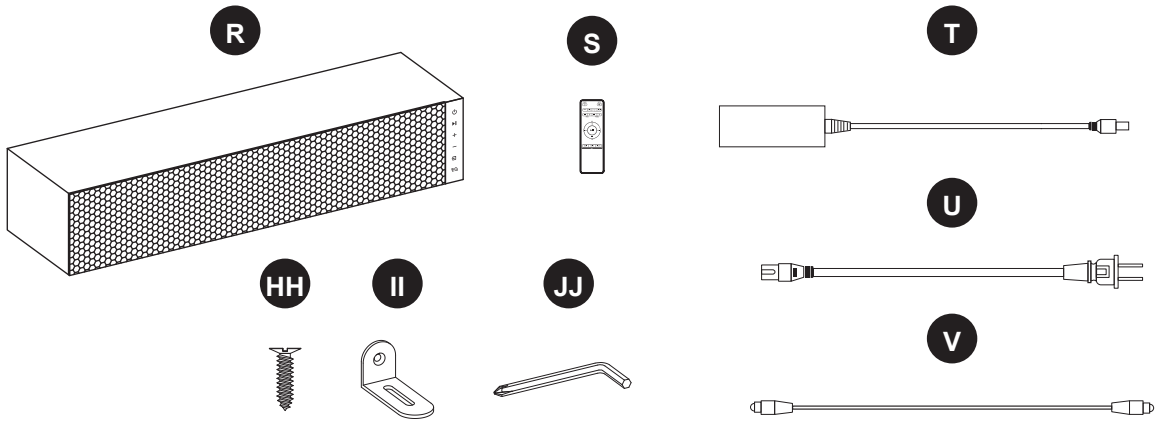
MODEL # FS-2601; FS-2801



Date Purchased _____

www.greentouchhome.com

PACKAGE CONTENTS



PART	DESCRIPTION	QUANTITY
R	Sound System	1
S	Sound System Remote Control	1
T	DC Adaptor	1
U	Power Cable	1
V	Optical Cable	1
HH	Screw	6
II	Speaker Bracket	2
JJ	Wrench	1

SAFETY INFORMATION

WARNING

- Read and keep all instructions.
- To reduce the risk of electric shock do not remove cover or back panel. No user-serviceable parts inside. Refer servicing to qualified service personnel.
- For Indoor use only. **DO NOT** expose this product to rain, moisture, dripping or splashing.
- **DO NOT** try to bypass the safety function of the polarized plug. A polarized plug has two blades with one wider than the other. The wideblade is a safety feature. When the provided plug does not fit into your outlet, consult an electrician for replacement of the obsolete outlet.
- Use this product as described in the manual only. Any other use may cause fire, electric shock, or injury.
- Refer all servicing to qualified service personnel. Servicing is required when the product has been damaged in any way, such as power-supply cord or plug is damaged, liquid has been spilled or objects have fallen into the product, the product has been exposed to rain or moisture, does not operate normally, or has been dropped.

WARNING

Changes or modifications to this unit not expressly approved by the party responsible for compliance could void the user's authority to operate the equipment.

Note: This equipment has been tested and found to comply with the limits for a Class B digital device, pursuant to Part 15 of the FCC Rules. These limits are designed to provide reasonable protection against harmful interference in a residential installation. This equipment generates, uses, and can radiate radio frequency energy and, if not installed and used in accordance with the instructions, may cause harmful interference to radio communications. However, there is no guarantee that interference will not occur in a particular installation. If this equipment does cause harmful interference to radio or television reception which can be determined by turning the equipment off and on, the user is encouraged to try to correct the interference by one or more of the following measures:

- Reorient or relocate the receiving antenna
- Increase the separation between the equipment and receiver.
- Connect the equipment into an outlet on a circuit different from that to which the receiver is connected.
- Consult the dealer or an experienced radio/TV technician

FCC COMPLIANCE STATEMENT:

This device complies with part 15 of the FCC Rules.

Operation is subject to the following two conditions:

- (1) This device may not cause harmful interference, and
- (2) this device must accept any interference received, including interference that may cause undesired operation.

FCC Radiation Exposure Statement

The device has been evaluated to meet general RF exposure requirement.

The device can be used in mobile(min20cm) exposure condition.

PRODUCT SPECIFICATIONS

Adaptor Input	AC100-240V, 50/60Hz
Adaptor Output	DC15V 4A
Power Consumption	60 Watts

PREPARATION

Before beginning assembly of product, make sure all parts are present. Compare parts with package contents list and hardware contents list. If any part is missing or damaged, do not attempt to assemble the product.


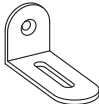

Estimated Assembly Time: 5 minutes

Tools Required for Assembly (not included):
Phillips screwdriver

SOUND SYSTEM ASSEMBLY INSTRUCTIONS

1. From behind the assembled mantel, remove the Center Back Panel by unscrewing the screws on the back panel.
2. From behind the assembly, to secure the speaker bracket (II) to the pre drilled holes on the middle shelf with four screws (HH).

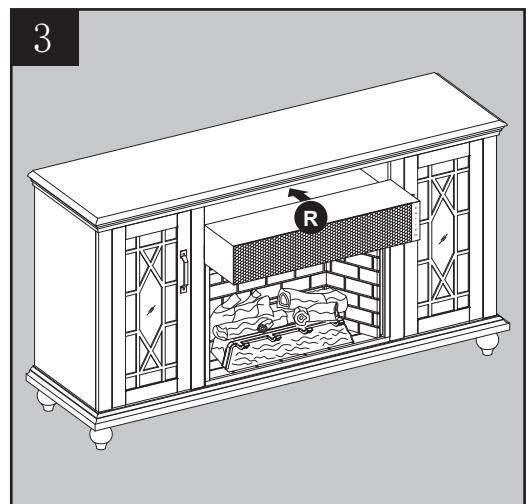
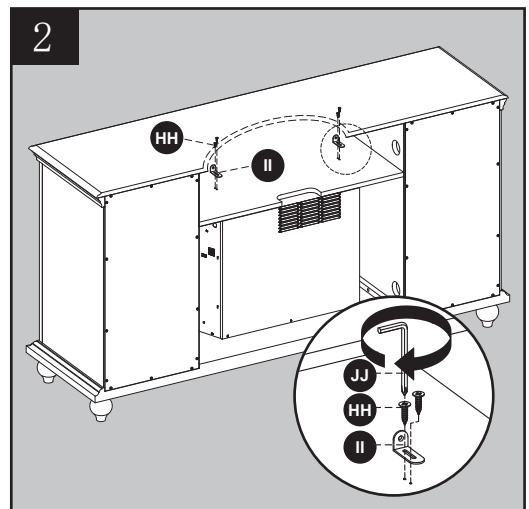
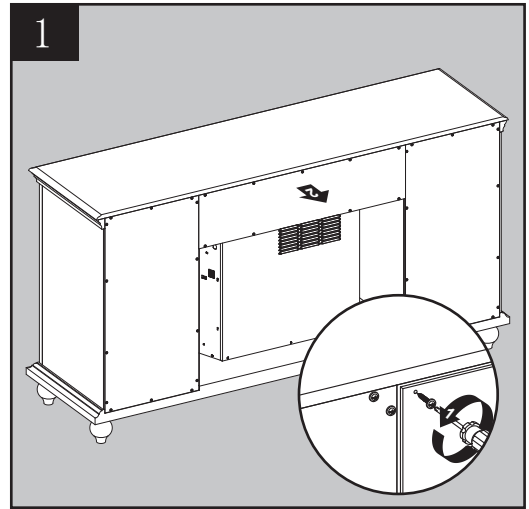
Hardware Used

HH	Screw		x 4
II	Speaker Bracket		x 2
JJ	Wrench		x 1

3. Position sound system (R) into the top middle opening of mantel assembly and align it with the front of opening.

CAUTION: DO NOT slide sound system (R) on top of wood to avoid scratching wood surface.

Do not re-attach the center back panel after the speaker is installed. You can keep it aside for future use.



SOUND SYSTEM ASSEMBLY INSTRUCTIONS (CONT'D)

4. From behind the assembly, to secure the sound system (R) with two screws (HH).

Hardware Used

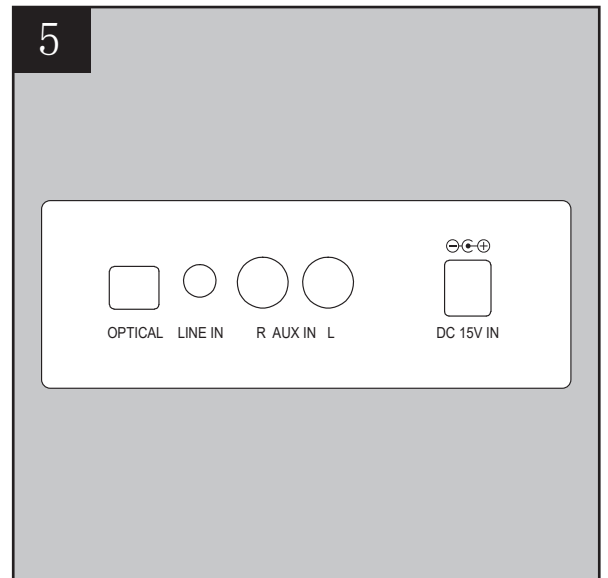
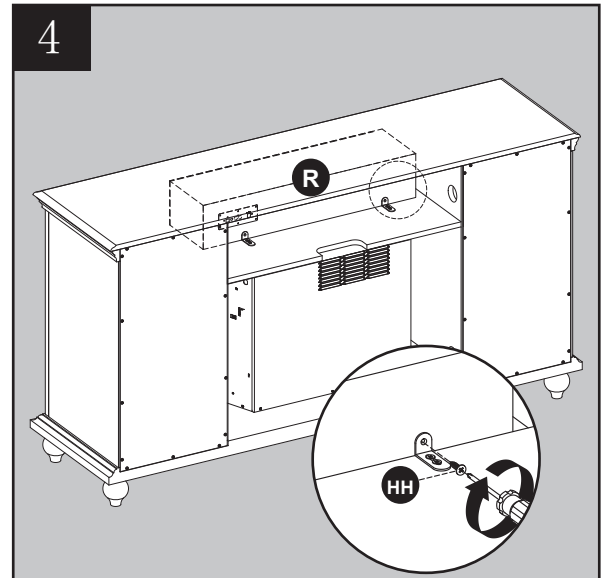
HH Screw  x 2

5. Multiple sources can be wired to the sound system using the inputs located at the back of the unit. An optical cable is provided and we recommend using this option to wire your television to the system for best digital sound.

To supply power to the system:

1. Connect the small end of the Power Cable into the DC Adaptor.
2. Connect the DC Adaptor into the DC 15V IN input located on the back panel.

Assembly is now complete, with the help of another person, move the assembly to the final desired location. Once in final position you plug the sound system (R) into the power outlet.



DISPLAY

A numerical display will illuminate on the front mesh to indicate the settings (Volume Level, Bass Level, Treble Level, EQ and Source Selection).

When scrolling through source options, selections will be indicated as follows:

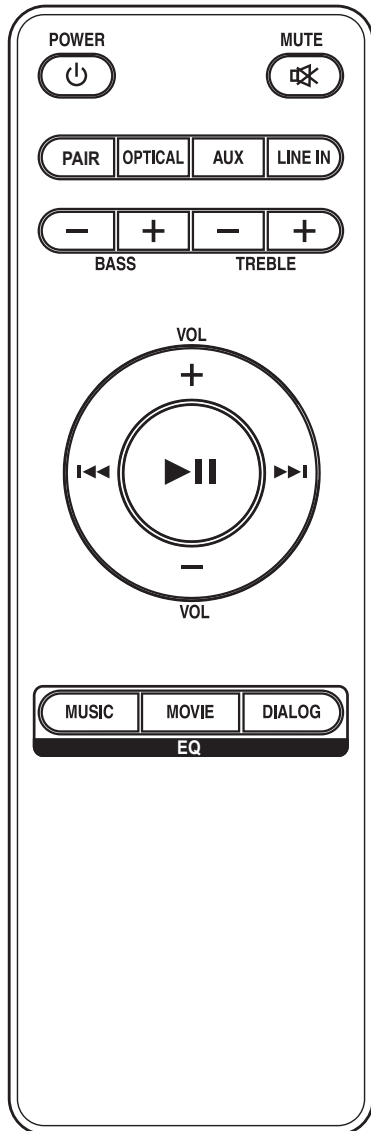
- OP: OPTICAL : Optical Cable Input (Included)
L1: LINE IN : 3.5 mm Audio Cable Input (Not Included)
AU: R AUX IN L: RCA Cable Input Left and Right (Not Included)
BL: Device pairing

When scrolling through EQ options, selections will be indicated as follows:

- 1: EQ optimized for music
- 2: EQ optimized for movies
- 3: EQ optimized for dialogue

OPERATING INSTRUCTIONS

Sound system Remote Control



Control Panel

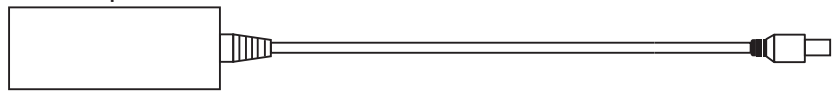
CONTROL PANEL AND REMOTE CONTROL:

The sound system settings can be adjusted with the control panel and/or the sound system remote control:

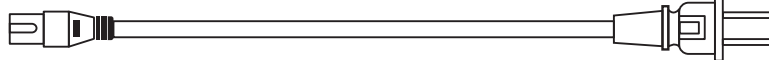
ON/OFF	
PLAY/PAUSE	
VOLUME UP	
VOLUME DOWN	
SCROLL SOURCE OPTIONS	
SCROLL EQ SETTINGS	

ACCESSORIES

DC Adaptor



Power Cable



Optical Cable



PAIRING YOUR DEVICE FOR THE FIRST TIME

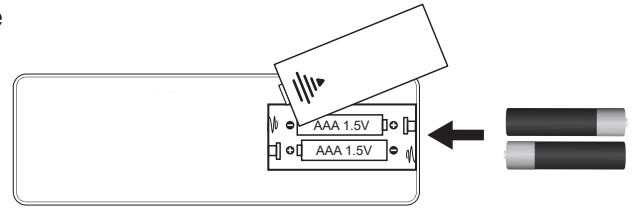
1. Power on the unit by pressing the Power button.
2. Set the indicator to BL by either scrolling the source selection button on the panel or pressing the PAIR button on the remote control.
The pairing indicator will flash blue quickly. When pairing, remain within 3 feet of the unit.
3. Use the controls of your device to select "Fireplace" bluetooth name to pair the devices.
4. If your device requests a password, enter the default password 0 0 0 0.
5. When successfully paired and connected, a beep will issue from the sound system and the Pairing Indicator will display a solid blue light.
After initial pairing, the unit will stay paired unless unpaired manually by the user or erased due to a reset of the device. The devices may also unpair if devices are too far apart.
6. If your device should become unpaired or you find it is unable to connect, repeat the above steps.

CARE AND MAINTENANCE

Replacing the Remote Control Batteries

When the sound system remote control (S) stops operating or its range seems reduced, it is time to replace the batteries. Note: The batteries should be removed if the product is to be left unused for a long time.

1. The battery compartment is located on the back of the sound system remote control (S).
2. Remove battery cover from the back of sound system remote control (S) and remove the old batteries.
3. Insert 2pcs AAA batteries, ensuring the polarities of the battery match the inside of the battery compartment.
4. Re-insert the battery door.



Note: Do not mix old and new batteries.

Do not mix alkaline, standard (carbon zinc), or rechargeable (nicad, nimh, etc) batteries.

Non-rechargeable batteries are not to be recharged. Exhausted batteries are to be removed from the product.

Harmful if swallowed.

Disposal of Used Batteries

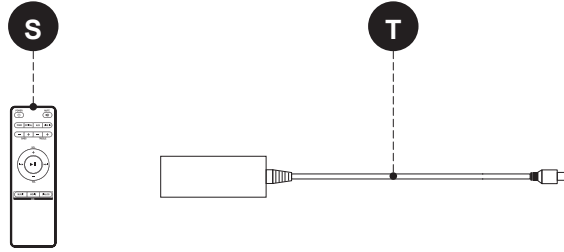
A battery may contain hazardous substances that could be endangering the environment and human health.

- This symbol marked on the battery and/or packaging indicates that used battery shall not be treated as municipal waste. Instead it shall be left at the appropriate collection point for recycling.
- By ensuring the used battery is disposed of correctly, you will help prevent potential negative consequences for the environment and human health. The recycling of materials will help to conserve natural resources.
- Do not dispose of batteries in fire. batteries may explode or leak.



For more information about collection and recycling of used batteries, please contact your local municipality, your waste disposal service or the point-of-sale where you purchased this battery.

REPLACEMENT PARTS



PART	DESCRIPTION	PART #
S	Sound System Remote Control	PH-SOUNDSYS-REMOTE
T	DC Adaptor	PH-SOUNDSYS-CABLE KIT