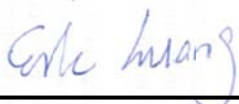


FCC SAR Test Report

APPLICANT : Yulong Computer Telecommunication Scientific (Shenzhen) Co., Ltd.
EQUIPMENT : Mobile Phone
BRAND NAME : Vodafone Smart 4G
MODEL NAME : Coolpad 8860U
MARKETING NAME : Vodafone Smart 4G
FCC ID : R38YL8860UO
STANDARD : FCC 47 CFR Part 2 (2.1093)
ANSI/IEEE C95.1-1992
IEEE 1528-2003

The product was tested on Sep. 13, 2013. We, SPORTON INTERNATIONAL (SHENZHEN) INC., would like to declare that the tested sample has been evaluated in accordance with the procedures and shown the compliance with the applicable technical standards.

The test results in this report apply exclusively to the tested model / sample. Without written approval of SPORTON INTERNATIONAL (SHENZHEN) INC., the test report shall not be reproduced except in full.



Reviewed by: Eric Huang / Deputy Manager



Approved by: Jones Tsai / Manager



Testing Laboratory
2353

SPORTON INTERNATIONAL (SHENZHEN) INC.

No. 101, Complex Building C, Guanlong Village, Xili Town, Nanshan District, Shenzhen, Guangdong, P.R.C.



Table of Contents

| | |
|--|-----------|
| 1. Statement of Compliance | 4 |
| 2. Administration Data | 6 |
| 2.1 Testing Laboratory | 6 |
| 2.2 Applicant | 6 |
| 2.3 Manufacturer | 6 |
| 2.4 Application Details | 6 |
| 3. General Information | 7 |
| 3.1 Description of Equipment Under Test (EUT) | 7 |
| 3.2 Maximum RF output power among production units | 8 |
| 3.3 Applied Standard | 11 |
| 3.4 Device Category and SAR Limits | 11 |
| 3.5 Test Conditions | 11 |
| 4. Specific Absorption Rate (SAR) | 12 |
| 4.1 Introduction | 12 |
| 4.2 SAR Definition | 12 |
| 5. SAR Measurement System | 13 |
| 5.1 E-Field Probe | 14 |
| 5.2 Data Acquisition Electronics (DAE) | 14 |
| 5.3 Robot | 15 |
| 5.4 Measurement Server | 15 |
| 5.5 Phantom | 16 |
| 5.6 Device Holder | 16 |
| 5.7 Data Storage and Evaluation | 17 |
| 5.8 Test Equipment List | 19 |
| 6. Tissue Simulating Liquids | 20 |
| 7. System Verification Procedures | 22 |
| 7.1 Purpose of System Performance check | 22 |
| 7.2 System Setup | 22 |
| 7.3 SAR System Verification Results | 23 |
| 8. EUT Testing Position | 24 |
| 8.1 Define two imaginary lines on the handset | 24 |
| 8.2 Cheek Position | 25 |
| 8.3 Tilted Position | 25 |
| 8.4 Body Worn Position | 26 |
| 9. Measurement Procedures | 27 |
| 9.1 Spatial Peak SAR Evaluation | 27 |
| 9.2 Power Reference Measurement | 28 |
| 9.3 Area & Zoom Scan Procedures | 28 |
| 9.4 Volume Scan Procedures | 29 |
| 9.5 SAR Averaged Methods | 29 |
| 9.6 Power Drift Monitoring | 29 |
| 10. Conducted RF Output Power (Unit: dBm) | 30 |
| 11. Antenna Location | 37 |
| 12. SAR Test Results | 39 |
| 12.1 Head SAR | 39 |
| 12.2 Hotspot SAR | 41 |
| 12.3 Body Worn SAR | 43 |
| 12.4 Repeated SAR Measurement | 44 |
| 12.5 Highest SAR Plot | 45 |
| 13. Simultaneous Transmission Analysis | 52 |
| 13.1 Head Exposure Conditions | 53 |
| 13.2 Hotspot Exposure Conditions | 55 |
| 13.3 Body-Worn Exposure Conditions | 56 |
| 13.4 SPLSR Evaluation and Analysis | 57 |
| 14. Uncertainty Assessment | 57 |
| 15. References | 61 |
| Appendix A. Plots of System Performance Check | |
| Appendix B. Plots of SAR Measurement | |
| Appendix C. DASY Calibration Certificate | |
| Appendix D. Test Setup Photos | |

1. Statement of Compliance

The maximum results of Specific Absorption Rate (SAR) found during testing for **Yulong Computer Telecommunication Scientific (Shenzhen) Co., Ltd. Mobile Phone, Coolpad 8860U** are as follows.

<Highest SAR Summary>

| Exposure Position | Frequency Band | Reported 1g-SAR (W/kg) | Equipment Class | Highest Reported 1g-SAR (W/kg) |
|-------------------------------|------------------|------------------------|-----------------|--------------------------------|
| Head | GSM1900 | 0.44 | PCE | 0.44 |
| | LTE Band 7 | 0.10 | | |
| | WLAN 2.4GHz Band | 0.13 | DTS | 0.34 |
| | WLAN 5.8GHz Band | 0.34 | | |
| | WLAN 5.2GHz Band | 0.04 | NII | 0.37 |
| | WLAN 5.3GHz Band | 0.06 | | |
| | WLAN 5.5GHz Band | 0.37 | | |
| Hotspot (Separation 1cm) | GSM1900 | 0.67 | PCE | 1.31 |
| | LTE Band 7 | 1.31 | | |
| | WLAN 2.4GHz Band | 0.19 | DTS | 0.44 |
| | WLAN 5.8GHz Band | 0.44 | | |
| Body-worn (Separation 1cm) | GSM1900 | 0.67 | PCE | 1.31 |
| | LTE Band 7 | 1.31 | | |
| | WLAN 2.4GHz Band | 0.19 | DTS | 0.44 |
| | WLAN 5.8GHz Band | 0.44 | | |
| | WLAN 5.2GHz Band | 0.37 | NII | 0.44 |
| | WLAN 5.3GHz Band | 0.10 | | |
| | WLAN 5.5GHz Band | 0.44 | | |



<Highest Simultaneous Transmission SAR>

| Exposure Position | Frequency Band | Equipment Class | Highest Reported Simultaneous Transmission 1g-SAR (W/kg) |
|--------------------------|------------------|-----------------|--|
| Body (Separation 1cm) | LTE Band 7 | PCE | 1.49 |
| | WLAN 2.4GHz Band | DTS | |
| Body (Separation 1cm) | GSM1900 | PCE | 1.11 |
| | WLAN 5GHz Band | NII | |
| Body (Separation 1cm) | LTE Band 7 | PCE | 1.33 |
| | Bluetooth | DSS | |

This device is in compliance with Specific Absorption Rate (SAR) for general population/uncontrolled exposure limits (1.6 W/kg) specified in FCC 47 CFR part 2 (2.1093) and ANSI/IEEE C95.1-1992, and had been tested in accordance with the measurement methods and procedures specified in IEEE 1528-2003.



2. Administration Data

2.1 Testing Laboratory

| | |
|--------------------|--|
| Test Site | SPORTON INTERNATIONAL (SHENZHEN) INC. |
| Test Site Location | No. 101, Complex Building C, Guanlong Village, Xili Town, Nanshan District, Shenzhen, Guangdong, P.R.C. TEL: +86-755-8637-9589 FAX: +86-755-8637-9595 |

2.2 Applicant

| | |
|--------------|---|
| Company Name | Yulong Computer Telecommunication Scientific (Shenzhen) Co., Ltd. |
| Address | Coolpad Information Harbor, 2nd Mengxi Road, Northern Part of Science&Technology Park, Nanshan district, Shenzhen, P.R.China |

2.3 Manufacturer

| | |
|--------------|---|
| Company Name | Yulong Computer Telecommunication Scientific (Shenzhen) Co., Ltd. |
| Address | Coolpad Information Harbor, 2nd Mengxi Road, Northern Part of Science&Technology Park, Nanshan district, Shenzhen, P.R.China |

2.4 Application Details

| | |
|-------------------------------|---------------|
| Date of Start during the Test | Aug. 16, 2013 |
| Date of End during the Test | Sep. 13, 2013 |



3. General Information

3.1 Description of Equipment Under Test (EUT)

| Product Feature & Specification | |
|---|--|
| EUT | Mobile Phone |
| Brand Name | Vodafone Smart 4G |
| Model Name | Coolpad 8860U |
| Marketing Name | Vodafone Smart 4G |
| FCC ID | R38YL8860UO |
| IMEI Code | 860707020061510 |
| Wireless Technology and Frequency Range | GSM1900: 1850.2 MHz ~ 1909.8 MHz LTE Band 7: 2506.5 MHz ~ 2534.5 MHz and 2562.5 MHz ~ 2567.5 MHz WLAN 2.4GHz Band: 2412 MHz ~ 2462 MHz WLAN 5.2GHz Band: 5180 MHz ~ 5240 MHz WLAN 5.3GHz Band: 5260 MHz ~ 5320 MHz WLAN 5.5GHz Band: 5500 MHz ~ 5700 MHz WLAN 5.8GHz Band: 5745 MHz ~ 5825 MHz Bluetooth: 2402 MHz ~ 2480 MHz |
| Mode | <ul style="list-style-type: none"> • GSM/GPRS/EGPRS • LTE • 802.11a/b/g/n HT20 • Bluetooth v3.0+EDR, Bluetooth 4.0 |
| Antenna Type | WWAN: PIFA Antenna WLAN: PIFA Antenna Bluetooth: PIFA Antenna |
| HW Version | T3 |
| SW Version | 082.12.T3.130819.CP8860U |
| Dual Transfer Mode Category | Class A – EUT can support Packet Switched and Circuit Switched Network simultaneously. |
| EUT Stage | Production Unit |
| Remark: <ol style="list-style-type: none"> 1. The above EUT's information was declared by manufacturer. Please refer to the specifications or user's manual for more detailed description. 2. WLAN5GHz operation in 5600 MHz ~ 5650 MHz is notched. 3. This device supports GPRS/EGPRS operation up to class12. 4. This device supports DTM operation. Per KDB 941225 D04 v01 requirement, the required test configuration for this device is as below: <ol style="list-style-type: none"> 1) This EUT is class A device 2) This EUT supports (E)GPRS multi-slot class 12 (max. uplink : 4, max. downlink : 4, total timeslots : 5) 3) This EUT supports DTM multi-slot class 11 (max. uplink : 3 for 1 CS & 2 PS, max. downlink : 4, total timeslots : 5) 4) The measured maximum conducted power can be referred to section 10 of this report 5) For DTM multi-slot class 11 link mode, the device was linked with system emulator (Agilent E5515C) and transmit maximum power on maximum number of Tx slots (one CS timeslot and two PS timeslots per frame). 5. LTE supports VOIP function. 6. This device, WLAN 2.4GHz supports hotspot operation and WLAN 5.8GHz supports WiFi direct owner operation, WLAN 5.3/ 5.5 GHz does not support those operations, WLAN 5.2GHz limited used indoor. | |

3.2 Maximum RF output power among production units

| Burst Average Power (dBm) | | |
|------------------------------|-------------------------|------|
| Mode / Band | GSM 1900 | |
| GSM (GMSK, 1 Tx slot) | 31 | |
| GPRS/EDGE (GMSK, 1 Tx slot) | 31 | |
| GPRS/EDGE (GMSK, 2 Tx slots) | 28 | |
| GPRS/EDGE (GMSK, 3 Tx slots) | 25 | |
| GPRS/EDGE (GMSK, 4 Tx slots) | 24 | |
| EDGE (8PSK, 1 Tx slot) | 26.5 | |
| EDGE (8PSK, 2 Tx slots) | 26.5 | |
| EDGE (8PSK, 3 Tx slots) | 25.5 | |
| EDGE (8PSK, 4 Tx slots) | 24.5 | |
| DTM5 (2Txslots) | GSM (GMSK, 1 Tx slot) | 29 |
| | GPRS (GMSK, 1 Tx slot) | 29 |
| DTM9 (2Txslots) | GSM (GMSK, 1 Tx slot) | 28 |
| | GPRS (GMSK, 1 Tx slot) | 28 |
| DTM11 (3Txslots) | GSM (GMSK, 1 Tx slot) | 25 |
| | GPRS (GMSK, 2 Tx slots) | 25 |
| DTM 5 (2Tx slots) | GSM (GMSK, 1 Tx slot) | 28 |
| | EDGE (8PSK, 1 Tx slot) | 26.5 |
| DTM 9 (2Tx slots) | GSM (GMSK, 1 Tx slot) | 28 |
| | EDGE (8PSK, 1 Tx slot) | 26.5 |
| DTM11 (3Txslots) | GSM (GMSK, 1 Tx slot) | 25 |
| | EDGE (8PSK, 2 Tx slots) | 25 |

| LTE Band 7 | | | | |
|---------------------|----------|---------|------------|--------------|
| Average Power (dBm) | | | | |
| Modulation | BW (MHz) | RB size | Target MPR | Target Power |
| QPSK | 20 | ≤ 18 | 0 | 21.5 |
| QPSK | 20 | > 18 | 1 | 20.5 |
| 16QAM | 20 | ≤ 18 | 1 | 20.5 |
| 16QAM | 20 | > 18 | 2 | 19.0 |
| QPSK | 15 | ≤ 16 | 0 | 21.5 |
| QPSK | 15 | > 16 | 1 | 20.5 |
| 16QAM | 15 | ≤ 16 | 1 | 20.5 |
| 16QAM | 15 | > 16 | 2 | 19.0 |
| QPSK | 10 | ≤ 12 | 0 | 21.5 |
| QPSK | 10 | > 12 | 1 | 20.5 |
| 16QAM | 10 | ≤ 12 | 1 | 20.5 |
| 16QAM | 10 | > 12 | 2 | 19.0 |
| QPSK | 5 | ≤ 8 | 0 | 21.5 |
| QPSK | 5 | > 8 | 1 | 20.5 |
| 16QAM | 5 | ≤ 8 | 1 | 20.5 |
| 16QAM | 5 | > 8 | 2 | 19.0 |

Remark:

1. By design, maximum LTE RF power of smaller supported bandwidth does not exceed the RF power of largest supported bandwidth; the information is included in “tune-up procedure” exhibit
2. LTE MPR implementation is the same for normal mode.



| Average Power (dBm) | | | | |
|---------------------|-------------|-----|------|----------|
| Mode / Band | IEEE 802.11 | | | |
| | 11a | 11b | 11g | 11n-HT20 |
| WLAN 2.4 GHz Band | | 17 | 14.5 | 14.5 |
| WLAN 5.2GHz Band | 12.5 | | | 12.5 |
| WLAN 5.3GHz Band | 13.5 | | | 13.5 |
| WLAN 5.5GHz Band | 14.5 | | | 14.5 |
| WLAN 5.8GHz Band | 14.5 | | | 14.5 |

| Average Power (dBm) | | | | |
|---------------------|-----------------|----------------------------|-------------------|--------------------|
| Mode / Band | 1Mbps (GFSK) | 2Mbps ($\pi/4$ -DQPSK) | 3Mbps (8-DPSK) | BT4.0-LE (GFSK) |
| Bluetooth | 1 | 0.5 | 0.5 | 0.5 |



The table below summarized necessary items addressed in KDB 941225 D05 v02r02.

| FCC ID | R38YL8860UO | | | | | | | | | | | | | | | | | | | | | | | | | | | | | | | | | | | | | | | | | | | | | |
|--|--|-------------|------------------|-------------|------------------|-------------|------------------|-------------|------------|---|--|--|--|--|--|----------|---------|---------|-------|--------|--------|--------|------|-----|-----|-----|------|------|------|-----|--------|-----|-----|-----|------|------|------|-----|--------|-----|-----|-----|------|------|------|-----|
| EUT | Mobile Phone | | | | | | | | | | | | | | | | | | | | | | | | | | | | | | | | | | | | | | | | | | | | | |
| Operating Frequency Range of each LTE transmission band | LTE Band 7: 2506.5 MHz ~ 2534.5 MHz and 2562.5 MHz ~ 2567.5 MHz | | | | | | | | | | | | | | | | | | | | | | | | | | | | | | | | | | | | | | | | | | | | | |
| Channel Bandwidth | 5MHz, 10MHz, 15MHz, 20MHz | | | | | | | | | | | | | | | | | | | | | | | | | | | | | | | | | | | | | | | | | | | | | |
| Transmission (H, M, L) channel numbers and frequencies in each LTE band | | | | | | | | | | | | | | | | | | | | | | | | | | | | | | | | | | | | | | | | | | | | | | |
| LTE Band 7 | | | | | | | | | | | | | | | | | | | | | | | | | | | | | | | | | | | | | | | | | | | | | | |
| | Bandwidth 5 MHz | | Bandwidth 10 MHz | | Bandwidth 15 MHz | | Bandwidth 20 MHz | | | | | | | | | | | | | | | | | | | | | | | | | | | | | | | | | | | | | | | |
| | Ch. # | Freq. (MHz) | Ch. # | Freq. (MHz) | Ch. # | Freq. (MHz) | Ch. # | Freq. (MHz) | | | | | | | | | | | | | | | | | | | | | | | | | | | | | | | | | | | | | | |
| L | 20815 | 2506.5 | 20840 | 2509 | 20865 | 2511.5 | 20890 | 2514 | | | | | | | | | | | | | | | | | | | | | | | | | | | | | | | | | | | | | | |
| M | 21095 | 2534.5 | 21070 | 2532 | 21045 | 2529.5 | 21020 | 2527 | | | | | | | | | | | | | | | | | | | | | | | | | | | | | | | | | | | | | | |
| H | 21425 | 2567.5 | 21400 | 2565 | 21375 | 2562.5 | | | | | | | | | | | | | | | | | | | | | | | | | | | | | | | | | | | | | | | | |
| E category, uplink modulations used | Category 3, QPSK, and 16QAM | | | | | | | | | | | | | | | | | | | | | | | | | | | | | | | | | | | | | | | | | | | | | |
| LTE transmitter and antenna implementation (standalone or sharing hardware components / antennas) | A primary antenna is used for LTE and other wireless interfaces (GSM) for transmitting and receiving. LTE and other wireless interfaces (GSM) share the same antenna, and cannot transmit simultaneously A 2 nd antenna is used for LTE for receiving only | | | | | | | | | | | | | | | | | | | | | | | | | | | | | | | | | | | | | | | | | | | | | |
| LTE Voice / Data requirements | Data only | | | | | | | | | | | | | | | | | | | | | | | | | | | | | | | | | | | | | | | | | | | | | |
| LTE MPR permanently built-in by design | Yes, per 3GPP TS 36.101 v11.0.0 Table 6.2.3-1: Maximum Power Reduction (MPR) for Power Class 3 <table border="1" style="margin-left: auto; margin-right: auto;"> <thead> <tr> <th rowspan="2">Modulation</th> <th colspan="6">Channel bandwidth / Transmission bandwidth (RB)</th> <th rowspan="2">MPR (dB)</th> </tr> <tr> <th>1.4 MHz</th> <th>3.0 MHz</th> <th>5 MHz</th> <th>10 MHz</th> <th>15 MHz</th> <th>20 MHz</th> </tr> </thead> <tbody> <tr> <td>QPSK</td> <td>> 5</td> <td>> 4</td> <td>> 8</td> <td>> 12</td> <td>> 16</td> <td>> 18</td> <td>≤ 1</td> </tr> <tr> <td>16 QAM</td> <td>≤ 5</td> <td>≤ 4</td> <td>≤ 8</td> <td>≤ 12</td> <td>≤ 16</td> <td>≤ 18</td> <td>≤ 1</td> </tr> <tr> <td>16 QAM</td> <td>> 5</td> <td>> 4</td> <td>> 8</td> <td>> 12</td> <td>> 16</td> <td>> 18</td> <td>≤ 2</td> </tr> </tbody> </table> | | | | | | | | Modulation | Channel bandwidth / Transmission bandwidth (RB) | | | | | | MPR (dB) | 1.4 MHz | 3.0 MHz | 5 MHz | 10 MHz | 15 MHz | 20 MHz | QPSK | > 5 | > 4 | > 8 | > 12 | > 16 | > 18 | ≤ 1 | 16 QAM | ≤ 5 | ≤ 4 | ≤ 8 | ≤ 12 | ≤ 16 | ≤ 18 | ≤ 1 | 16 QAM | > 5 | > 4 | > 8 | > 12 | > 16 | > 18 | ≤ 2 |
| Modulation | Channel bandwidth / Transmission bandwidth (RB) | | | | | | MPR (dB) | | | | | | | | | | | | | | | | | | | | | | | | | | | | | | | | | | | | | | | |
| | 1.4 MHz | 3.0 MHz | 5 MHz | 10 MHz | 15 MHz | 20 MHz | | | | | | | | | | | | | | | | | | | | | | | | | | | | | | | | | | | | | | | | |
| QPSK | > 5 | > 4 | > 8 | > 12 | > 16 | > 18 | ≤ 1 | | | | | | | | | | | | | | | | | | | | | | | | | | | | | | | | | | | | | | | |
| 16 QAM | ≤ 5 | ≤ 4 | ≤ 8 | ≤ 12 | ≤ 16 | ≤ 18 | ≤ 1 | | | | | | | | | | | | | | | | | | | | | | | | | | | | | | | | | | | | | | | |
| 16 QAM | > 5 | > 4 | > 8 | > 12 | > 16 | > 18 | ≤ 2 | | | | | | | | | | | | | | | | | | | | | | | | | | | | | | | | | | | | | | | |
| LTE A-MPR | In the base station simulator configuration, Network Setting value is set to NS_01 to disable A-MPR during SAR testing. | | | | | | | | | | | | | | | | | | | | | | | | | | | | | | | | | | | | | | | | | | | | | |
| Base station simulator used for Testing | Anritsu MT8820C | | | | | | | | | | | | | | | | | | | | | | | | | | | | | | | | | | | | | | | | | | | | | |



3.3 Applied Standard

The Specific Absorption Rate (SAR) testing specification, method, and procedure for this device is in accordance with the following standards:

- FCC 47 CFR Part 2 (2.1093)
ANSI/IEEE C95.1-1992
IEEE 1528-2003
FCC KDB 865664 D01 v01r01
FCC KDB 865664 D02 v01r01
FCC KDB 447498 D01 v05r01
FCC KDB 648474 D04 v01r01
FCC KDB 248227 D01 v01r02
FCC KDB 941225 D03 v01
FCC KDB 941225 D04 v01
FCC KDB 941225 D05 v02r02
FCC KDB 941225 D06 v01r01

3.4 Device Category and SAR Limits

This device belongs to portable device category because its radiating structure is allowed to be used within 20 centimeters of the body of the user. Limit for General Population/Uncontrolled exposure should be applied for this device, it is 1.6 W/kg as averaged over any 1 gram of tissue.

3.5 Test Conditions

3.5.1 Ambient Condition

Table with 2 columns: Parameter (Ambient Temperature, Humidity) and Value (20 to 24 °C, < 60 %)

3.5.2 Test Configuration

For WWAN SAR testing, the device was controlled by using a base station emulator. Communication between the device and the emulator was established by air link. The distance between the EUT and the antenna of the emulator is larger than 50 cm and the output power radiated from the emulator antenna is at least 30 dB smaller than the output power of EUT.

During WLAN SAR testing EUT is configured with the WLAN continuous TX tool, and the transmission duty factor was monitored on the spectrum analyzer with zero-span setting

Duty factor observed as below:

- WLAN 2.4GHz 802.11b, 1Mbps: 97.63%
WLAN 5.2GHz 802.11a, 6Mbps: 86.73%
WLAN 5.3GHz 802.11a, 6Mbps: 86.73%
WLAN 5.5GHz 802.11a, 6Mbps: 86.73%
WLAN 5.8GHz 802.11a, 6Mbps: 87.24%

For WLAN SAR testing, WLAN engineering testing software installed on the EUT can provide continuous transmitting RF signal.

4. Specific Absorption Rate (SAR)

4.1 Introduction

SAR is related to the rate at which energy is absorbed per unit mass in an object exposed to a radio field. The SAR distribution in a biological body is complicated and is usually carried out by experimental techniques or numerical modeling. The standard recommends limits for two tiers of groups, occupational/controlled and general population/uncontrolled, based on a person's awareness and ability to exercise control over his or her exposure. In general, occupational/controlled exposure limits are higher than the limits for general population/uncontrolled.

4.2 SAR Definition

The SAR definition is the time derivative (rate) of the incremental energy (dW) absorbed by (dissipated in) an incremental mass (dm) contained in a volume element (dv) of a given density (ρ). The equation description is as below:

$$\text{SAR} = \frac{d}{dt} \left(\frac{dW}{dm} \right) = \frac{d}{dt} \left(\frac{dW}{\rho dv} \right)$$

SAR is expressed in units of Watts per kilogram (W/kg)

SAR measurement can be either related to the temperature elevation in tissue by

$$\text{SAR} = c \left(\frac{\delta T}{\delta t} \right)$$

Where: C is the specific heat capacity, δT is the temperature rise and δt is the exposure duration, or related to the electrical field in the tissue by

$$\text{SAR} = \frac{\sigma |E|^2}{\rho}$$

Where: σ is the conductivity of the tissue, ρ is the mass density of the tissue and E is the RMS electrical field strength.

However for evaluating SAR of low power transmitter, electrical field measurement is typically applied.

5. SAR Measurement System

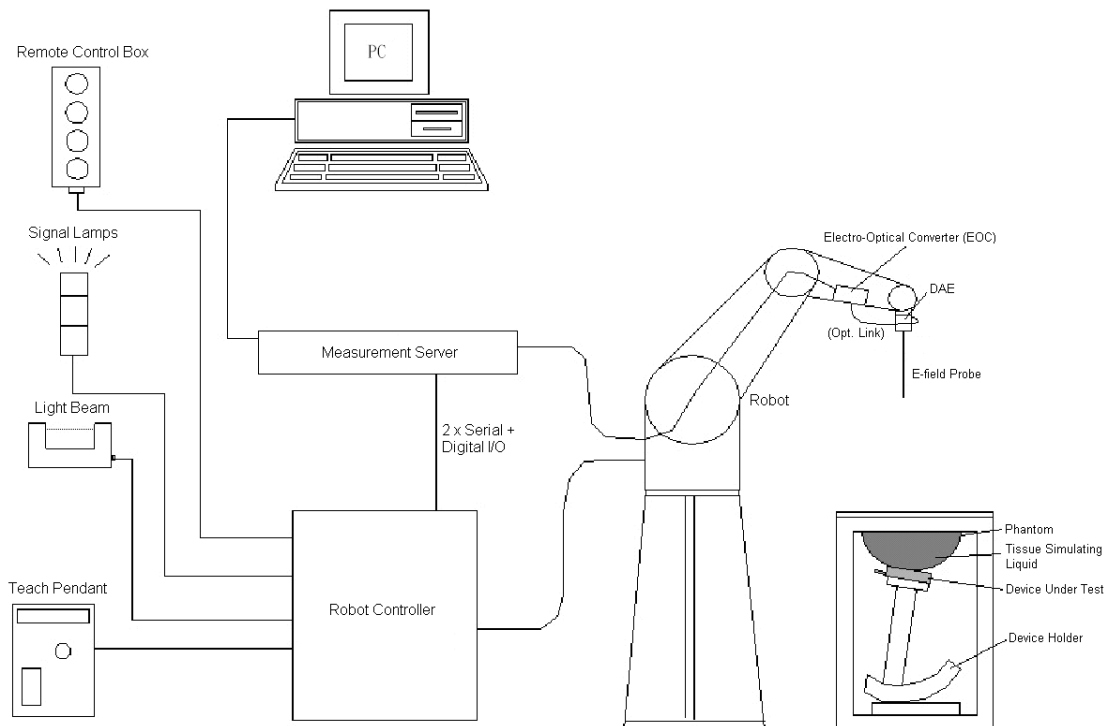


Fig 5.1 SPEAG DASY System Configurations

The DASY system for performance compliance tests is illustrated above graphically. This system consists of the following items:

- A standard high precision 6-axis robot with controller, a teach pendant and software
- A data acquisition electronic (DAE) attached to the robot arm extension
- A dosimetric probe equipped with an optical surface detector system
- The electro-optical converter (EOC) performs the conversion between optical and electrical signals
- A measurement server performs the time critical tasks such as signal filtering, control of the robot operation and fast movement interrupts.
- A probe alignment unit which improves the accuracy of the probe positioning
- A computer operating Windows XP
- DASY software
- Remote control with teach pendant and additional circuitry for robot safety such as warning lamps, etc.
- The SAM twin phantom
- A device holder
- Tissue simulating liquid
- Dipole for evaluating the proper functioning of the system

Component details are described in in the following sub-sections.

5.1 E-Field Probe

The SAR measurement is conducted with the dosimetric probe (manufactured by SPEAG).The probe is specially designed and calibrated for use in liquid with high permittivity. The dosimetric probe has special calibration in liquid at different frequency. This probe has a built in optical surface detection system to prevent from collision with phantom.

5.1.1 E-Field Probe Specification

<EX3DV4 Probe>

| | |
|----------------------|---|
| Construction | Symmetrical design with triangular core Built-in shielding against static charges PEEK enclosure material (resistant to organic solvents, e.g., DGBE) |
| Frequency | 10 MHz to 6 GHz; Linearity: ± 0.2 dB |
| Directivity | ± 0.3 dB in HSL (rotation around probe axis) ± 0.5 dB in tissue material (rotation normal to probe axis) |
| Dynamic Range | 10 μ W/g to 100 mW/g; Linearity: ± 0.2 dB (noise: typically $< 1 \mu$ W/g) |
| Dimensions | Overall length: 330 mm (Tip: 20 mm) Tip diameter: 2.5 mm (Body: 12 mm) Typical distance from probe tip to dipole centers: 1 mm |

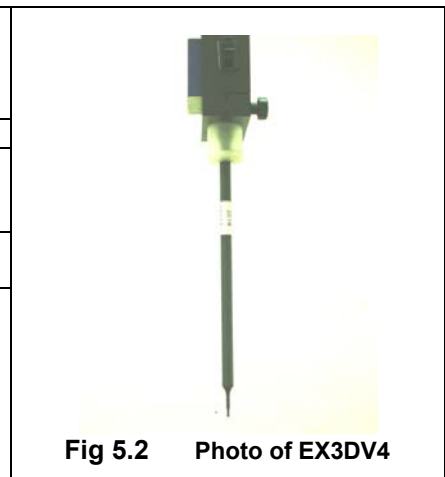


Fig 5.2 Photo of EX3DV4

5.1.2 E-Field Probe Calibration

Each probe needs to be calibrated according to a dosimetric assessment procedure with accuracy better than $\pm 10\%$. The spherical isotropy shall be evaluated and within ± 0.25 dB. The sensitivity parameters (NormX, NormY, and NormZ), the diode compression parameter (DCP) and the conversion factor (ConvF) of the probe are tested. The calibration data can be referred to appendix C of this report.

5.2 Data Acquisition Electronics (DAE)

The data acquisition electronics (DAE) consists of a highly sensitive electrometer-grade preamplifier with auto-zeroing, a channel and gain-switching multiplexer, a fast 16 bit AD-converter and a command decoder and control logic unit. Transmission to the measurement server is accomplished through an optical downlink for data and status information as well as an optical uplink for commands and the clock. The input impedance of the DAE is 200 MOhm; the inputs are symmetrical and floating. Common mode rejection is above 80 dB.



Fig 5.3 Photo of DAE

5.3 Robot

The SPEAG DASY system uses the high precision robots (DASY5: TX90XL) type from Stäubli SA (France). For the 6-axis controller system, the robot controller version (DASY5: CS8c) from Stäubli is used. The Stäubli robot series have many features that are important for our application:

- High precision (repeatability ± 0.035 mm)
- High reliability (industrial design)
- Jerk-free straight movements
- Low ELF interference (the closed metallic construction shields against motor control fields)



Fig 5.4 Photo of DASY5

5.4 Measurement Server

The measurement server is based on a PC/104 CPU board with CPU (DASY5: 400 MHz, Intel Celeron), chipdisk (DASY5: 128 MB), RAM (DASY5: 128 MB). The necessary circuits for communication with the DAE electronic box, as well as the 16 bit AD converter system for optical detection and digital I/O interface are contained on the DASY I/O board, which is directly connected to the PC/104 bus of the CPU board.

The measurement server performs all the real-time data evaluation for field measurements and surface detection, controls robot movements and handles safety operations.



Fig 5.5 Photo of Server for DASY5

5.5 Phantom

<SAM Twin Phantom>

| | |
|--------------------------|--|
| Shell Thickness | 2 ± 0.2 mm; Center ear point: 6 ± 0.2 mm |
| Filling Volume | Approx. 25 liters |
| Dimensions | Length: 1000 mm; Width: 500 mm; Height: adjustable feet |
| Measurement Areas | Left Hand, Right Hand, Flat Phantom |



Fig 5.6 Photo of SAM Phantom

The bottom plate contains three pair of bolts for locking the device holder. The device holder positions are adjusted to the standard measurement positions in the three sections. A white cover is provided to tap the phantom during off-periods to prevent water evaporation and changes in the liquid parameters. On the phantom top, three reference markers are provided to identify the phantom position with respect to the robot.

5.6 Device Holder

<Device Holder for SAM Twin Phantom>

The SAR in the phantom is approximately inversely proportional to the square of the distance between the source and the liquid surface. For a source at 5 mm distance, a positioning uncertainty of ± 0.5 mm would produce a SAR uncertainty of ± 20 %. Accurate device positioning is therefore crucial for accurate and repeatable measurements. The positions in which the devices must be measured are defined by the standards.

The DASY device holder is designed to cope with different positions given in the standard. It has two scales for the device rotation (with respect to the body axis) and the device inclination (with respect to the line between the ear reference points). The rotation center for both scales is the ear reference point (ERP). Thus the device needs no repositioning when changing the angles.

The DASY device holder is constructed of low-loss POM material having the following dielectric parameters: relative permittivity $\epsilon = 3$ and loss tangent $\delta = 0.02$. The amount of dielectric material has been reduced in the closest vicinity of the device, since measurements have suggested that the influence of the clamp on the test results could thus be lowered.



Fig 5.7 Device Holder

5.7 Data Storage and Evaluation

5.7.1 Data Storage

The DASY software stores the assessed data from the data acquisition electronics as raw data (in microvolt readings from the probe sensors), together with all the necessary software parameters for the data evaluation (probe calibration data, liquid parameters and device frequency and modulation data) in measurement files. The post-processing software evaluates the desired unit and format for output each time the data is visualized or exported. This allows verification of the complete software setup even after the measurement and allows correction of erroneous parameter settings. For example, if a measurement has been performed with an incorrect crest factor parameter in the device setup, the parameter can be corrected afterwards and the data can be reevaluated.

The measured data can be visualized or exported in different units or formats, depending on the selected probe type (e.g., [V/m], [A/m], [mW/g]). Some of these units are not available in certain situations or give meaningless results, e.g., a SAR-output in a non-lose media, will always be zero. Raw data can also be exported to perform the evaluation with other software packages.

5.7.2 Data Evaluation

The DASY post-processing software (SEMCAD) automatically executes the following procedures to calculate the field units from the microvolt readings at the probe connector. The parameters used in the evaluation are stored in the configuration modules of the software :

| | | |
|----------------------------|---------------------------|---|
| Probe parameters : | - Sensitivity | Norm _i , a _{i0} , a _{i1} , a _{i2} |
| | - Conversion factor | ConvF _i |
| | - Diode compression point | dcp _i |
| Device parameters : | - Frequency | f |
| | - Crest factor | cf |
| Media parameters : | - Conductivity | σ |
| | - Density | ρ |

These parameters must be set correctly in the software. They can be found in the component documents or they can be imported into the software from the configuration files issued for the DASY components. In the direct measuring mode of the multi-meter option, the parameters of the actual system setup are used. In the scan visualization and export modes, the parameters stored in the corresponding document files are used.

The first step of the evaluation is a linearization of the filtered input signal to account for the compression characteristics of the detector diode. The compensation depends on the input signal, the diode type and the DC-transmission factor from the diode to the evaluation electronics. If the exciting field is pulsed, the crest factor of the signal must be known to correctly compensate for peak power.

The formula for each channel can be given as :

$$V_i = U_i + U_i^2 \cdot \frac{cf}{dcp_i}$$

with V_i = compensated signal of channel i , ($i = x, y, z$)
 U_i = input signal of channel i , ($i = x, y, z$)
 cf = crest factor of exciting field (DASY parameter)
 dcp_i = diode compression point (DASY parameter)

From the compensated input signals, the primary field data for each channel can be evaluated :

$$\text{E-field Probes : } E_i = \sqrt{\frac{V_i}{\text{Norm}_i \cdot \text{ConvF}}}$$

$$\text{H-field Probes : } H_i = \sqrt{V_i \cdot \frac{a_{i0} + a_{i1}f + a_{i2}f^2}{f}}$$

with V_i = compensated signal of channel i , ($i = x, y, z$)
 Norm_i = sensor sensitivity of channel i , ($i = x, y, z$), $\mu\text{V}/(\text{V/m})^2$ for E-field Probes
 ConvF = sensitivity enhancement in solution
 a_{ij} = sensor sensitivity factors for H-field probes
 f = carrier frequency [GHz]
 E_i = electric field strength of channel i in V/m
 H_i = magnetic field strength of channel i in A/m

The RSS value of the field components gives the total field strength (Hermitian magnitude) :

$$E_{\text{tot}} = \sqrt{E_x^2 + E_y^2 + E_z^2}$$

The primary field data are used to calculate the derived field units.

$$\text{SAR} = E_{\text{tot}}^2 \cdot \frac{\sigma}{\rho \cdot 1000}$$

with SAR = local specific absorption rate in mW/g
 E_{tot} = total field strength in V/m
 σ = conductivity in [mho/m] or [Siemens/m]
 ρ = equivalent tissue density in g/cm^3

Note that the density is set to 1, to account for actual head tissue density rather than the density of the tissue simulating liquid.



5.8 Test Equipment List

| Manufacturer | Name of Equipment | Type/Model | Serial Number | Calibration | |
|--------------|---------------------------------|---------------|---------------|---------------|---------------|
| | | | | Last Cal. | Due Date |
| SPEAG | 1900MHz System Validation Kit | D1900V2 | 5d118 | Nov. 21, 2011 | Nov. 16, 2013 |
| SPEAG | 2450MHz System Validation Kit | D2450V2 | 840 | Mar. 26, 2013 | Mar. 25, 2014 |
| SPEAG | 2600MHz System Validation Kit | D2600V2 | 1061 | Mar. 26, 2013 | Mar. 25, 2014 |
| SPEAG | 5000MHz System Validation Kit | D5GHzV2 | 1006 | Dec. 11, 2012 | Dec. 10, 2013 |
| SPEAG | Data Acquisition Electronics | DAE4 | 1303 | Nov. 22, 2012 | Nov. 21, 2013 |
| SPEAG | Dosimetric E-Field Probe | EX3DV4 | 3819 | Nov. 26, 2012 | Nov. 25, 2013 |
| SPEAG | SAM Twin Phantom | QD 000 P40 CD | TP-1670 | NCR | NCR |
| SPEAG | SAM Twin Phantom | QD 000 P40 CD | TP-1671 | NCR | NCR |
| SPEAG | Phone Positioner | N/A | N/A | NCR | NCR |
| Anritsu | Radio communication analyzer | MT8820C | 6201091028 | Jul. 11, 2013 | Jul. 10, 2014 |
| Agilent | Wireless Communication Test Set | E5515C | MY50267224 | Dec. 29, 2012 | Dec. 28, 2013 |
| R&S | Network Analyzer | ZVB8 | 100106 | Nov. 20, 2012 | Nov. 19, 2013 |
| Speag | Dielectric Assessment KIT | DAK-3.5 | 1032 | NCR | NCR |
| AR | Amplifier | 551G4 | 333096 | NCR | NCR |
| Anritsu | Power Meter | ML2495A | 1218010 | Mar. 28, 2013 | Mar. 27, 2014 |
| Anritsu | Power Sensor | MA2411B | 1207253 | Mar. 28, 2013 | Mar. 27, 2014 |
| ARRA | Power Divider | A3200-2 | N/A | NA | NA |
| Agilent | Dual Directional Coupler | 778D | 50422 | Note 4 | |
| Woken | Attenuator 1 | WK0602-XX | N/A | Note 4 | |
| PE | Attenuator 2 | PE7005-10 | N/A | Note 4 | |
| PE | Attenuator 3 | PE7005-3 | N/A | Note 4 | |
| AR | Power Amplifier | 5S1G4M2 | 328767 | Note 5 | |
| R&S | Spectrum Analyzer | FSP30 | 101362 | Oct. 11, 2012 | Oct. 10, 2013 |

Table 5.1 Test Equipment List

Note:

1. The calibration certificate of DASY can be referred to appendix C of this report.
2. Referring to KDB 865664 D01v01r01, the dipole calibration interval can be extended to 3 years with justification. The dipoles are also not physically damaged, or repaired during the interval.
3. The justification data of dipole D1900V2, SN: 5d118 can be found in appendix C. The return loss is < -20dB, within 20% of prior calibration, the impedance is within 5 ohm of prior calibration.
4. The Insertion Loss calibration of Dual Directional Coupler and Attenuator were characterized via the network analyzer and compensated during system check.
5. In system check we need to monitor the level on the power meter, and adjust the power amplifier level to have precise power level to the dipole; the measured SAR will be normalized to 1W input power according to the ratio of 1W to the input power to the dipole. For system check, the calibration of the power amplifier is deemed not critically required for correct measurement; the power meter is critical and we do have calibration for it
6. Attenuator 1 insertion loss is calibrated by the network Analyzer, which the calibration is valid, before system check.

6. Tissue Simulating Liquids

For the measurement of the field distribution inside the SAM phantom with DASY, the phantom must be filled with around 25 liters of homogeneous body tissue simulating liquid. For head SAR testing, the liquid height from the ear reference point (ERP) of the phantom to the liquid top surface is larger than 15 cm, which is shown in Fig. 6.1. For body SAR testing, the liquid height from the center of the flat phantom to the liquid top surface is larger than 15 cm, which is shown in Fig. 6.2.



Fig 6.1 Photo of Liquid Height for Head SAR



Fig 6.2 Photo of Liquid Height for Body SAR

The following table gives the recipes for tissue simulating liquid.

| Frequency (MHz) | Water (%) | Sugar (%) | Cellulose (%) | Salt (%) | Preventol (%) | DGBE (%) | Conductivity (σ) | Permittivity (ϵ_r) |
|------------------|-----------|-----------|---------------|----------|---------------|----------|---------------------------|-------------------------------|
| For Head | | | | | | | | |
| 1800, 1900, 2000 | 55.2 | 0 | 0 | 0.3 | 0 | 44.5 | 1.40 | 40.0 |
| 2450 | 55.0 | 0 | 0 | 0 | 0 | 45.0 | 1.80 | 39.2 |
| For Body | | | | | | | | |
| 1800, 1900, 2000 | 70.2 | 0 | 0 | 0.4 | 0 | 29.4 | 1.52 | 53.3 |
| 2450 | 68.6 | 0 | 0 | 0 | 0 | 31.4 | 1.95 | 52.7 |

Table 6.1 Recipes of Tissue Simulating Liquid

Simulating Liquid for 5G, Manufactured by SPEAG

| Ingredients | (% by weight) |
|--------------------|---------------|
| Water | 64~78% |
| Mineral oil | 11~18% |
| Emulsifiers | 9~15% |
| Additives and Salt | 2~3% |



The dielectric parameters of the liquids were verified prior to the SAR evaluation using an SPEAG DAK-3.5 Dielectric Probe Kit and an Agilent Network Analyzer.

The following table shows the measuring results for simulating liquid.

| Frequency (MHz) | Liquid Type | Liquid Temp. (°C) | Conductivity (σ) | Permittivity (ϵ_r) | Conductivity Target (σ) | Permittivity Target (ϵ_r) | Delta (σ) (%) | Delta (ϵ_r) (%) | Limit (%) | Date |
|-----------------|-------------|-------------------|---------------------------|-------------------------------|----------------------------------|--------------------------------------|------------------------|----------------------------|-----------|---------------|
| 1900 | Head | 22.6 | 1.427 | 41.191 | 1.40 | 40.0 | 1.93 | 2.98 | ±5 | Aug. 16, 2013 |
| 2450 | Head | 22.7 | 1.857 | 37.67 | 1.80 | 39.2 | 3.17 | -3.90 | ±5 | Aug. 27, 2013 |
| 2600 | Head | 22.7 | 1.974 | 38.204 | 1.96 | 39.0 | 0.71 | -2.04 | ±5 | Sep. 07, 2013 |
| 5200 | Head | 22.5 | 4.696 | 37.048 | 4.66 | 36 | 0.77 | 2.91 | ±5 | Aug. 27, 2013 |
| 5300 | Head | 22.7 | 4.776 | 36.353 | 4.76 | 35.9 | 0.34 | 1.26 | ±5 | Sep. 12, 2013 |
| 5600 | Head | 22.7 | 5.141 | 35.813 | 5.07 | 35.5 | 1.40 | 0.88 | ±5 | Sep. 12, 2013 |
| 5800 | Head | 22.5 | 5.442 | 35.768 | 5.27 | 35.3 | 3.26 | 1.33 | ±5 | Aug. 27, 2013 |
| 1900 | Body | 22.7 | 1.512 | 53.903 | 1.52 | 53.3 | -0.53 | 1.13 | ±5 | Aug. 16, 2013 |
| 2450 | Body | 22.6 | 1.949 | 51.667 | 1.95 | 52.7 | -0.05 | -1.96 | ±5 | Aug. 27, 2013 |
| 2600 | Body | 22.8 | 2.165 | 53.823 | 2.16 | 52.5 | 0.23 | 2.52 | ±5 | Sep. 05, 2013 |
| 5200 | Body | 22.7 | 5.279 | 48.534 | 5.3 | 49 | -0.40 | -0.95 | ±5 | Aug. 27, 2013 |
| 5300 | Body | 22.7 | 5.404 | 48.094 | 5.42 | 48.9 | -0.30 | -1.65 | ±5 | Sep. 13, 2013 |
| 5600 | Body | 22.7 | 5.834 | 47.448 | 5.77 | 48.5 | 1.11 | -2.17 | ±5 | Sep. 13, 2013 |
| 5800 | Body | 22.8 | 6.113 | 47.156 | 6 | 48.2 | 1.88 | -2.17 | ±5 | Aug. 27, 2013 |

Table 6.2 Measuring Results for Simulating Liquid

7. System Verification Procedures

Each DASY system is equipped with one or more system validation kits. These units, together with the predefined measurement procedures within the DASY software, enable the user to conduct the system performance check and system validation. System validation kit includes a dipole, tripod holder to fix it underneath the flat phantom and a corresponding distance holder.

7.1 Purpose of System Performance check

The system performance check verifies that the system operates within its specifications. System and operator errors can be detected and corrected. It is recommended that the system performance check be performed prior to any usage of the system in order to guarantee reproducible results. The system performance check uses normal SAR measurements in a simplified setup with a well characterized source. This setup was selected to give a high sensitivity to all parameters that might fail or vary over time. The system check does not intend to replace the calibration of the components, but indicates situations where the system uncertainty is exceeded due to drift or failure.

7.2 System Setup

In the simplified setup for system evaluation, the EUT is replaced by a calibrated dipole and the power source is replaced by a continuous wave that comes from a signal generator. The calibrated dipole must be placed beneath the flat phantom section of the SAM twin phantom with the correct distance holder. The distance holder should touch the phantom surface with a light pressure at the reference marking and be oriented parallel to the long side of the phantom. The equipment setup is shown below:

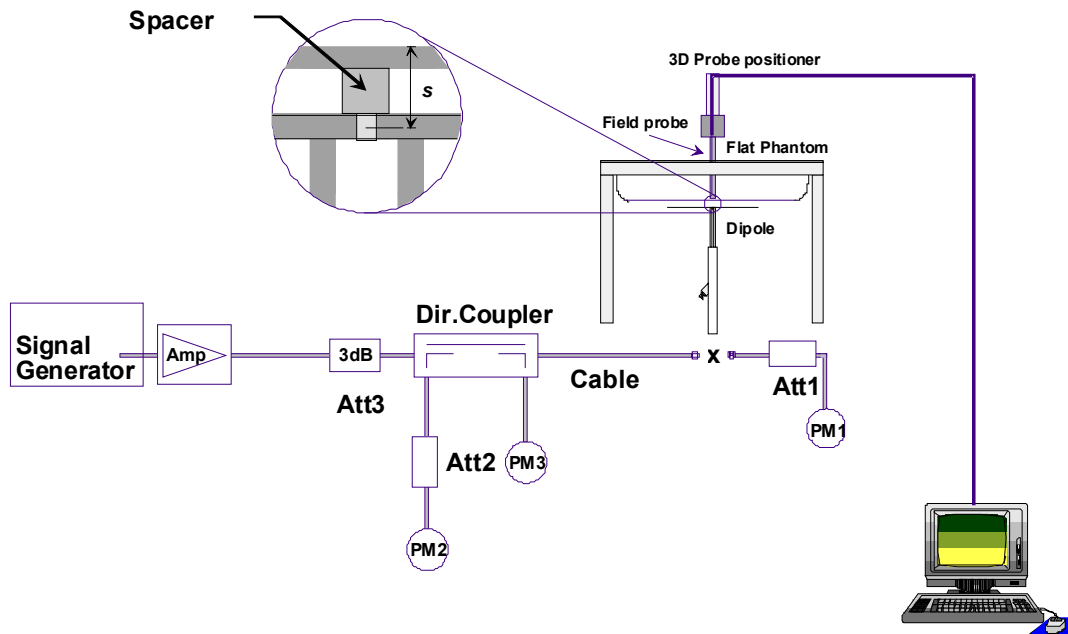


Fig 7.1 System Setup for System Evaluation

1. Signal Generator
2. Amplifier
3. Directional Coupler
4. Power Meter
5. Calibrated Dipole



Fig 7.2 Photo of Dipole Setup

7.3 SAR System Verification Results

Comparing to the original SAR value provided by SPEAG, the verification data should be within its specification of 10 %. Table 7.1 shows the target SAR and measured SAR after normalized to 1W input power. The table below indicates the system performance check can meet the variation criterion and the plots can be referred to Appendix A of this report.

| Date | Frequency (MHz) | Liquid Type | Power fed onto reference dipole (mW) | Targeted SAR (W/kg) | Measured SAR (W/kg) | Normalized SAR (W/kg) | Deviation (%) |
|---------------|-----------------|-------------|--------------------------------------|---------------------|---------------------|-----------------------|---------------|
| Aug. 16, 2013 | 1900 | Head | 250 | 40.3 | 10.4 | 41.6 | 3.23 |
| Aug. 27, 2013 | 2450 | Head | 250 | 53.6 | 12.9 | 51.6 | -3.73 |
| Sep. 07, 2013 | 2600 | Head | 250 | 58.6 | 13.6 | 54.4 | -7.17 |
| Aug. 27, 2013 | 5200 | Head | 100 | 79.8 | 7.66 | 76.6 | -4.01 |
| Sep. 12, 2013 | 5300 | Head | 100 | 82.6 | 7.84 | 78.4 | -5.08 |
| Sep. 12, 2013 | 5600 | Head | 100 | 83.6 | 8.37 | 83.7 | 0.12 |
| Aug. 27, 2013 | 5800 | Head | 100 | 78.9 | 8.18 | 81.8 | 3.68 |
| Aug. 16, 2013 | 1900 | Body | 250 | 41.8 | 10.1 | 40.4 | -3.35 |
| Aug. 27, 2013 | 2450 | Body | 250 | 50.4 | 12.1 | 48.4 | -3.97 |
| Sep. 05, 2013 | 2600 | Body | 250 | 55.6 | 14.7 | 58.8 | 5.76 |
| Aug. 27, 2013 | 5200 | Body | 100 | 71.4 | 7.52 | 75.2 | 5.32 |
| Sep. 13, 2013 | 5300 | Body | 100 | 73.5 | 7.92 | 79.2 | 7.76 |
| Sep. 13, 2013 | 5600 | Body | 100 | 76.8 | 7.67 | 76.7 | -0.13 |
| Aug. 27, 2013 | 5800 | Body | 100 | 71.7 | 7.83 | 78.3 | 9.21 |

Table 7.1 Target and Measurement SAR after Normalized

8. EUT Testing Position

8.1 Define two imaginary lines on the handset

- The vertical centerline passes through two points on the front side of the handset - the midpoint of the width w_t of the handset at the level of the acoustic output, and the midpoint of the width w_b of the bottom of the handset.
- The horizontal line is perpendicular to the vertical centerline and passes through the center of the acoustic output. The horizontal line is also tangential to the face of the handset at point A.
- The two lines intersect at point A. Note that for many handsets, point A coincides with the center of the acoustic output; however, the acoustic output may be located elsewhere on the horizontal line. Also note that the vertical centerline is not necessarily parallel to the front face of the handset, especially for clamshell handsets, handsets with flip covers, and other irregularly shaped handsets.

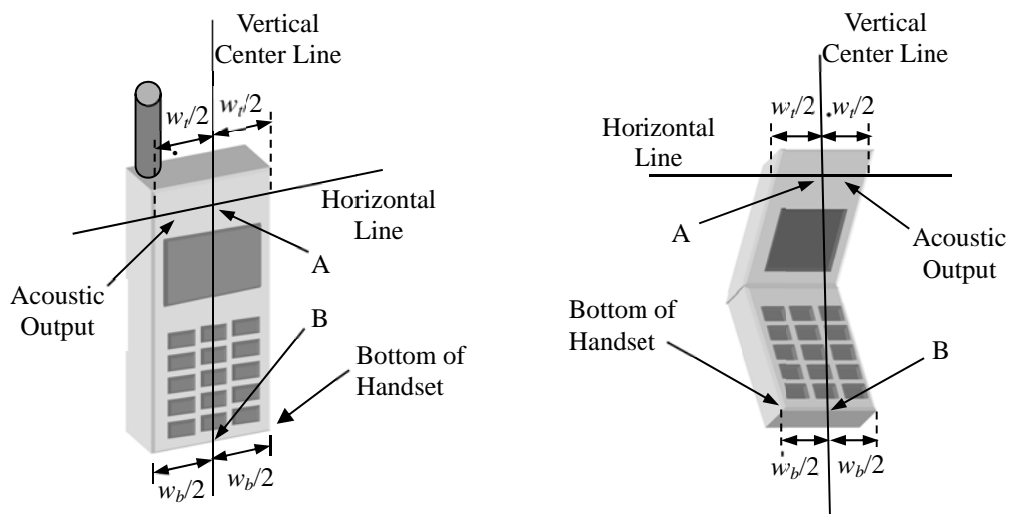


Fig 8.1 Illustration for Handset Vertical and Horizontal Reference Lines

8.2 Cheek Position

- (a) To position the device with the vertical center line of the body of the device and the horizontal line crossing the center piece in a plane parallel to the sagittal plane of the phantom. While maintaining the device in this plane, align the vertical center line with the reference plane containing the three ear and mouth reference point (M: Mouth, RE: Right Ear, and LE: Left Ear) and align the center of the ear piece with the line RE-LE.
- (b) To move the device towards the phantom with the ear piece aligned with the line LE-RE until the phone touched the ear. While maintaining the device in the reference plane and maintaining the phone contact with the ear, move the bottom of the phone until any point on the front side is in contact with the cheek of the phantom or until contact with the ear is lost (see Fig. 8.2).

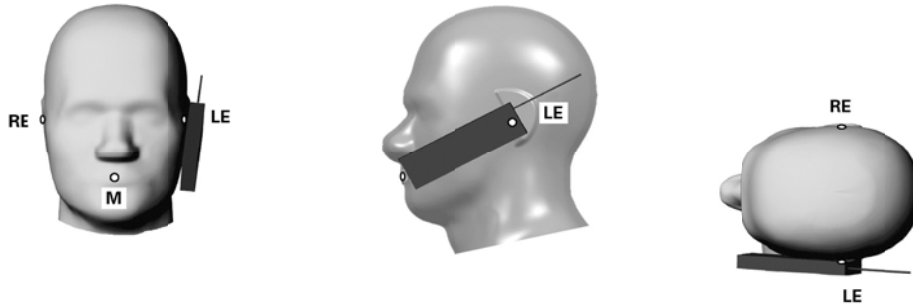


Fig 8.2 Illustration for Cheek Position

8.3 Tilted Position

- (a) To position the device in the “cheek” position described above.
- (b) While maintaining the device the reference plane described above and pivoting against the ear, moves it outward away from the mouth by an angle of 15 degrees or until contact with the ear is lost (see Fig. 8.3).

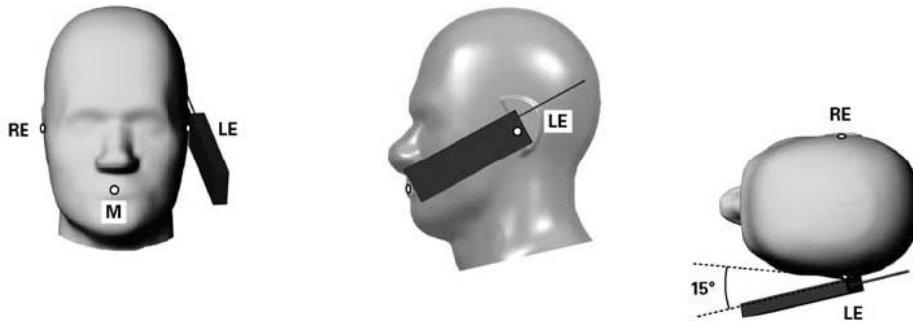


Fig 8.3 Illustration for Tilted Position

8.4 Body Worn Position

- (a) To position the device parallel to the phantom surface with either keypad up or down.
- (b) To adjust the device parallel to the flat phantom.
- (c) To adjust the distance between the device surface and the flat phantom to 1 cm.

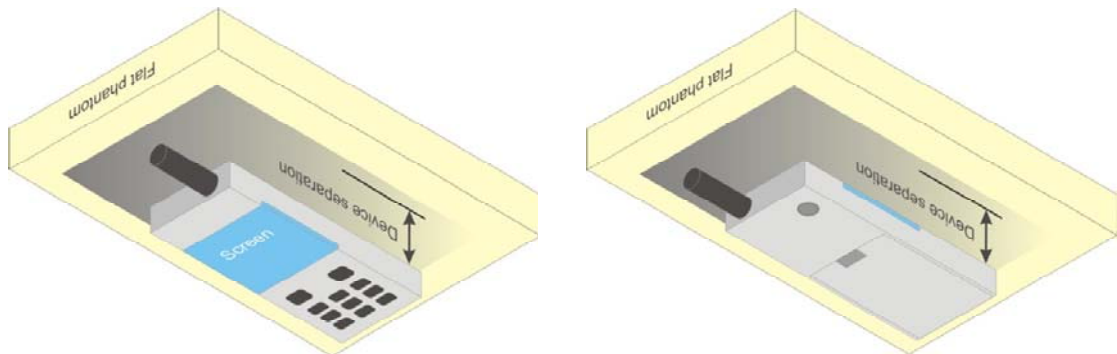


Fig 8.4 Illustration for Body Worn Position

8.5 Hotspot Position

- (a) To position the device parallel to the phantom surface with all sides and either keypad up or down.
- (b) To adjust the device parallel to the flat phantom.
- (c) To adjust the distance between the device and the flat phantom to 1 cm.

<EUT Setup Photos>

Please refer to Appendix D for the test setup photos.

9. Measurement Procedures

The measurement procedures are as follows:

<Conducted power measurement>

- (a) For WWAN power measurement, use base station simulator to configure EUT WWAN transmission in conducted connection with RF cable, at maximum power in each supported wireless interface and frequency band.
- (b) Read the WWAN RF power level from the base station simulator.
- (c) For WLAN/BT power measurement, use engineering software to configure EUT WLAN/BT continuously transmission, at maximum RF power in each supported wireless interface and frequency band
- (d) Connect EUT RF port through RF cable to the power meter, and measure WLAN/BT output power

<SAR measurement>

- (a) Use base station simulator to configure EUT WWAN transmission in radiated connection, and engineering software to configure EUT WLAN/BT continuously transmission, at maximum RF power, in the highest power channel.
- (b) Place the EUT in the positions as Appendix D demonstrates.
- (c) Set scan area, grid size and other setting on the DASY software.
- (d) Measure SAR results for the highest power channel on each testing position.
- (e) Find out the largest SAR result on these testing positions of each band
- (f) Measure SAR results for other channels in worst SAR testing position if the reported SAR of highest power channel is larger than 0.8 W/kg

According to the test standard, the recommended procedure for assessing the peak spatial-average SAR value consists of the following steps:

- (a) Power reference measurement
- (b) Area scan
- (c) Zoom scan
- (d) Power drift measurement

9.1 Spatial Peak SAR Evaluation

The procedure for spatial peak SAR evaluation has been implemented according to the test standard. It can be conducted for 1g and 10g, as well as for user-specific masses. The DASY software includes all numerical procedures necessary to evaluate the spatial peak SAR value.

The base for the evaluation is a "cube" measurement. The measured volume must include the 1g and 10g cubes with the highest averaged SAR values. For that purpose, the center of the measured volume is aligned to the interpolated peak SAR value of a previously performed area scan.

The entire evaluation of the spatial peak values is performed within the post-processing engine (SEMCAD). The system always gives the maximum values for the 1g and 10g cubes. The algorithm to find the cube with highest averaged SAR is divided into the following stages:

- (a) Extraction of the measured data (grid and values) from the Zoom Scan
- (b) Calculation of the SAR value at every measurement point based on all stored data (A/D values and measurement parameters)
- (c) Generation of a high-resolution mesh within the measured volume
- (d) Interpolation of all measured values from the measurement grid to the high-resolution grid
- (e) Extrapolation of the entire 3-D field distribution to the phantom surface over the distance from sensor to surface
- (f) Calculation of the averaged SAR within masses of 1g and 10g

9.2 Power Reference Measurement

The Power Reference Measurement and Power Drift Measurements are for monitoring the power drift of the device under test in the batch process. The minimum distance of probe sensors to surface determines the closest measurement point to phantom surface. This distance cannot be smaller than the distance of sensor calibration points to probe tip as defined in the probe properties.

9.3 Area & Zoom Scan Procedures

First Area Scan is used to locate the approximate location(s) of the local peak SAR value(s). The measurement grid within an Area Scan is defined by the grid extent, grid step size and grid offset. Next, in order to determine the EM field distribution in a three-dimensional spatial extension, Zoom Scan is required. The Zoom Scan is performed around the highest E-field value to determine the averaged SAR-distribution over 10 g. Area scan and zoom scan resolution setting follows KDB 865664 D01v01r01 quoted below.

When the 1-g SAR of the highest peak is within 2 dB of the SAR limit, additional zoom scans are required for other peaks within 2 dB of the highest peak that have not been included in any zoom scan to ensure there is no increase in SAR.

| | | ≤ 3 GHz | > 3 GHz | |
|---|--------------------------------------|---|--|---|
| Maximum distance from closest measurement point (geometric center of probe sensors) to phantom surface | | 5 ± 1 mm | ½·δ·ln(2) ± 0.5 mm | |
| Maximum probe angle from probe axis to phantom surface normal at the measurement location | | 30° ± 1° | 20° ± 1° | |
| Maximum area scan spatial resolution: Δx _{Area} , Δy _{Area} | | ≤ 2 GHz: ≤ 15 mm 2 – 3 GHz: ≤ 12 mm | 3 – 4 GHz: ≤ 12 mm 4 – 6 GHz: ≤ 10 mm | |
| | | When the x or y dimension of the test device, in the measurement plane orientation, is smaller than the above, the measurement resolution must be ≤ the corresponding x or y dimension of the test device with at least one measurement point on the test device. | | |
| Maximum zoom scan spatial resolution: Δx _{Zoom} , Δy _{Zoom} | | ≤ 2 GHz: ≤ 8 mm 2 – 3 GHz: ≤ 5 mm* | 3 – 4 GHz: ≤ 5 mm* 4 – 6 GHz: ≤ 4 mm* | |
| Maximum zoom scan spatial resolution, normal to phantom surface | uniform grid: Δz _{Zoom} (n) | ≤ 5 mm | 3 – 4 GHz: ≤ 4 mm 4 – 5 GHz: ≤ 3 mm 5 – 6 GHz: ≤ 2 mm | |
| | graded grid | Δz _{Zoom} (1): between 1 st two points closest to phantom surface | ≤ 4 mm | 3 – 4 GHz: ≤ 3 mm 4 – 5 GHz: ≤ 2.5 mm 5 – 6 GHz: ≤ 2 mm |
| | | Δz _{Zoom} (n>1): between subsequent points | ≤ 1.5·Δz _{Zoom} (n-1) | |
| Minimum zoom scan volume | x, y, z | ≥ 30 mm | 3 – 4 GHz: ≥ 28 mm 4 – 5 GHz: ≥ 25 mm 5 – 6 GHz: ≥ 22 mm | |
| <p>Note: δ is the penetration depth of a plane-wave at normal incidence to the tissue medium; see draft standard IEEE P1528-2011 for details.</p> <p>* When zoom scan is required and the <i>reported</i> SAR from the area scan based 1-g SAR estimation procedures of KDB 447498 is ≤ 1.4 W/kg, ≤ 8 mm, ≤ 7 mm and ≤ 5 mm zoom scan resolution may be applied, respectively, for 2 GHz to 3 GHz, 3 GHz to 4 GHz and 4 GHz to 6 GHz.</p> | | | | |



9.4 Volume Scan Procedures

The volume scan is used to assess overlapping SAR distributions for antennas transmitting in different frequency bands. It is equivalent to an oversized zoom scan used in standalone measurements. The measurement volume will be used to enclose all the simultaneous transmitting antennas. For antennas transmitting simultaneously in different frequency bands, the volume scan is measured separately in each frequency band. In order to sum correctly to compute the 1g aggregate SAR, the EUT remains in the same test position for all measurements and all volume scans use the same spatial resolution and grid spacing. When all volume scans are completed, the software, SEMCAD postprocessor can combine and subsequently superpose these measurement data to calculate the multiband SAR.

9.5 SAR Averaged Methods

In DASy, the interpolation and extrapolation are both based on the modified Quadratic Shepard's method. The interpolation scheme combines a least-square fitted function method and a weighted average method which are the two basic types of computational interpolation and approximation.

Extrapolation routines are used to obtain SAR values between the lowest measurement points and the inner phantom surface. The extrapolation distance is determined by the surface detection distance and the probe sensor offset. The uncertainty increases with the extrapolation distance. To keep the uncertainty within 1% for the 1 g and 10 g cubes, the extrapolation distance should not be larger than 5 mm.

9.6 Power Drift Monitoring

All SAR testing is under the EUT installed full charged battery and transmit maximum output power. In DASy measurement software, the power reference measurement and power drift measurement procedures are used for monitoring the power drift of EUT during SAR test. Both these procedures measure the field at a specified reference position before and after the SAR testing. The software will calculate the field difference in dB. If the power drifts more than 5%, the SAR will be retested.

10. Conducted RF Output Power (Unit: dBm)

<GSM Conducted Power>

General Note:

- Per KDB 447498 D01v05r01, the maximum output power channel is used for SAR testing and for further SAR test reduction.
- For DTM multi-slot class mode, the device was linked with base station simulator (Agilent E5515C) and transmit maximum power on maximum number of TX slots, i.e. one CS timeslot, and additional PS timeslots (1 for DTM class 5 and 9, 2 for DTM class 11) in one TDMA frame.
- Agilent E5515C was used to setup the device operated under DTM mode for power measurement and SAR testing. For conducted power, the power of the burst for voice and the power of the bursts for data was reported separately in the table above, and the frame-average power is derived below to determine SAR testing.

$$DTM \text{ frame average power (dBm)} = 10 * \log [\sum(\text{power of each slot, in mW})/8]$$
- For head SAR testing, the EUT was set in DTM 5 (2Tx slots) for GSM1900 due to its highest frame-average power.
- For hotspot SAR testing, the EUT was set in DTM 5 (2Tx slots) for GSM1900 due to its highest frame-average power.
- For body worn SAR testing, the EUT was set in DTM 5 (2Tx slots) for GSM1900 due to its highest frame-average power.

| Band GSM1900 | | Burst Average Power (dBm) | | | Frame-Average Power (dBm) | | |
|--------------------------------|--------------------------------|---------------------------|-------|--------|---------------------------|-------|--------|
| TX Channel | | 512 | 661 | 810 | 512 | 661 | 810 |
| Frequency (MHz) | | 1850.2 | 1880 | 1909.8 | 1850.2 | 1880 | 1909.8 |
| GSM (GMSK, 1 Tx slot) | | 30.43 | 30.58 | 30.54 | 21.43 | 21.58 | 21.54 |
| GPRS (GMSK, 1 Tx slot) – CS1 | | 30.45 | 30.57 | 30.47 | 21.45 | 21.57 | 21.47 |
| GPRS (GMSK, 2 Tx slots) – CS1 | | 27.78 | 27.86 | 27.82 | 21.78 | 21.86 | 21.82 |
| GPRS (GMSK, 3 Tx slots) – CS1 | | 24.48 | 24.79 | 24.73 | 20.22 | 20.53 | 20.47 |
| GPRS (GMSK, 4 Tx slots) – CS1 | | 23.74 | 23.73 | 23.62 | 20.74 | 20.73 | 20.62 |
| EDGE (GMSK, 1 Tx slot) – MCS1 | | 30.36 | 30.56 | 30.46 | 21.36 | 21.56 | 21.46 |
| EDGE (GMSK, 2 Tx slots) – MCS1 | | 27.77 | 27.84 | 27.82 | 21.77 | 21.84 | 21.82 |
| EDGE (GMSK, 3 Tx slots) – MCS1 | | 24.66 | 24.77 | 24.66 | 20.40 | 20.51 | 20.40 |
| EDGE (GMSK, 4 Tx slots) – MCS1 | | 23.78 | 23.81 | 23.63 | 20.78 | 20.81 | 20.63 |
| EDGE (8PSK, 1 Tx slot) – MCS5 | | 26.16 | 26.22 | 26.21 | 17.16 | 17.22 | 17.21 |
| EDGE (8PSK, 2 Tx slots) – MCS5 | | 26.12 | 26.15 | 26.15 | 20.12 | 20.15 | 20.15 |
| EDGE (8PSK, 3 Tx slots) – MCS5 | | 25.13 | 25.07 | 25.07 | 20.87 | 20.81 | 20.81 |
| EDGE (8PSK, 4 Tx slots) – MCS5 | | 24.05 | 24.03 | 23.98 | 21.05 | 21.03 | 20.98 |
| DTM 5 (2Tx slots) | GSM (GMSK, 1 Tx slot) | 27.69 | 27.87 | 27.73 | 21.70 | 21.88 | 21.74 |
| | GPRS (GMSK, 1 Tx slot) – CS1 | 27.75 | 27.93 | 27.79 | | | |
| DTM 9 (2Tx slots) | GSM (GMSK, 1 Tx slot) | 27.76 | 27.86 | 27.79 | 21.71 | 21.80 | 21.73 |
| | GPRS (GMSK, 1 Tx slot) – CS1 | 27.70 | 27.79 | 27.72 | | | |
| DTM 11 (3Tx slots) | GSM (GMSK, 1 Tx slot) | 24.71 | 24.75 | 24.80 | 20.48 | 20.52 | 20.56 |
| | GPRS (GMSK, 2 Tx slots) – CS1 | 24.76 | 24.79 | 24.83 | | | |
| DTM 5 (2Tx slots) | GSM (GMSK, 1 Tx slot) | 27.68 | 27.82 | 27.65 | 20.97 | 21.06 | 20.93 |
| | EDGE (8PSK, 1 Tx slot) – MCS5 | 26.18 | 26.19 | 26.12 | | | |
| DTM 9 (2Tx slots) | GSM (GMSK, 1 Tx slot) | 27.66 | 27.84 | 27.72 | 20.93 | 21.01 | 20.91 |
| | EDGE (8PSK, 1 Tx slot) – MCS5 | 26.11 | 26.03 | 25.97 | | | |
| DTM 11 (3Tx slots) | GSM (GMSK, 1 Tx slot) | 24.62 | 24.78 | 24.80 | 20.46 | 20.54 | 20.57 |
| | EDGE (8PSK, 2 Tx slots) – MCS5 | 24.77 | 24.81 | 24.85 | | | |



<LTE Conducted Power>

Note:

1. Anritsu MT8820C base station simulator was used to setup the connection with EUT; the frequency band, channel bandwidth, RB allocation configuration, modulation type are set in the base station simulator to configure EUT transmitting at maximum power and at different configurations which are requested to be reported to FCC, for conducted power measurement and SAR testing.
2. Per KDB 941225 D05v02r02, when a properly configured base station simulator is used for the SAR and power measurements, spectrum plots for each RB allocation and offset configuration is not required.
3. Per KDB 941225 D05v02r02, start with the largest channel bandwidth and measure SAR for QPSK with 1 RB allocation, using the RB offset and required test channel combination with the highest maximum output power for RB offsets at the upper edge, middle and lower edge of each required test channel.
4. Per KDB 941225 D05v02r02, 50% RB allocation for QPSK SAR testing follows 1RB QPSK allocation procedure
5. 16QAM output power for each RB allocation configuration is > not ½ dB higher than the same configuration in QPSK; Per KDB 941225 D05v02r02, 16QAM SAR testing is not required.
6. Per KDB 941225 D05v02r02, smaller bandwidth output power for each RB allocation configuration is not > ½ dB higher than the same configuration in the largest supported bandwidth, so smaller bandwidth SAR testing is not required.

<LTE Band 7 Conducted Power>

| BW [MHz] | Modulation | RB Size | RB Offset | Power Low Ch. / Freq. | Power Middle Ch. / Freq. | Power High Ch. / Freq. | Target MPR (dB) |
|-----------------|------------|---------|-----------|-----------------------|--------------------------|------------------------|-----------------|
| Channel | | | | 20890 | 21020 | | |
| Frequency (MHz) | | | | 2514 | 2527 | | |
| 20 | QPSK | 1 | 0 | 20.30 | 20.59 | | 0 |
| 20 | QPSK | 1 | 49 | 20.47 | 20.51 | | |
| 20 | QPSK | 1 | 99 | 20.52 | 20.21 | | |
| 20 | QPSK | 50 | 0 | 19.95 | 19.64 | | 1 |
| 20 | QPSK | 50 | 24 | 19.93 | 19.49 | | |
| 20 | QPSK | 50 | 49 | 19.80 | 19.55 | | |
| 20 | QPSK | 100 | 0 | 19.92 | 19.34 | | 1 |
| 20 | 16QAM | 1 | 0 | 19.65 | 20.42 | | |
| 20 | 16QAM | 1 | 49 | 19.96 | 20.32 | | |
| 20 | 16QAM | 1 | 99 | 19.37 | 20.16 | | 2 |
| 20 | 16QAM | 50 | 0 | 18.14 | 18.87 | | |
| 20 | 16QAM | 50 | 24 | 18.21 | 18.77 | | |
| 20 | 16QAM | 50 | 49 | 18.11 | 18.65 | | 2 |
| 20 | 16QAM | 100 | 0 | 18.26 | 18.64 | | |
| Channel | | | | 20865 | 21045 | 21375 | |
| Frequency (MHz) | | | | 2511.5 | 2529.5 | 2562.5 | |
| 15 | QPSK | 1 | 0 | 20.24 | 20.45 | 20.12 | 0 |
| 15 | QPSK | 1 | 37 | 20.54 | 20.37 | 20.21 | |
| 15 | QPSK | 1 | 74 | 20.50 | 20.13 | 20.38 | |
| 15 | QPSK | 36 | 0 | 19.80 | 19.31 | 19.38 | 1 |
| 15 | QPSK | 36 | 18 | 19.77 | 19.52 | 19.31 | |
| 15 | QPSK | 36 | 37 | 19.76 | 19.38 | 19.43 | |
| 15 | QPSK | 75 | 0 | 19.75 | 19.42 | 19.34 | 1 |
| 15 | 16QAM | 1 | 0 | 19.83 | 20.10 | 19.35 | |
| 15 | 16QAM | 1 | 37 | 20.16 | 20.08 | 19.52 | |
| 15 | 16QAM | 1 | 74 | 19.71 | 19.82 | 19.97 | 2 |
| 15 | 16QAM | 36 | 0 | 18.21 | 18.25 | 18.45 | |
| 15 | 16QAM | 36 | 18 | 18.20 | 18.44 | 18.46 | |
| 15 | 16QAM | 36 | 37 | 18.24 | 18.46 | 18.35 | 2 |
| 15 | 16QAM | 75 | 0 | 18.15 | 18.32 | 18.35 | |



| Channel | | | | 20840 | 21070 | 21400 | Target MPR (dB) |
|-----------------|-------|----|----|--------|--------|--------|-----------------|
| Frequency (MHz) | | | | 2509 | 2532 | 2565 | |
| 10 | QPSK | 1 | 0 | 20.18 | 20.25 | 20.24 | 0 |
| 10 | QPSK | 1 | 24 | 20.31 | 20.08 | 20.32 | |
| 10 | QPSK | 1 | 49 | 20.48 | 20.17 | 20.34 | |
| 10 | QPSK | 25 | 0 | 20.04 | 19.38 | 19.27 | 1 |
| 10 | QPSK | 25 | 12 | 20.12 | 19.39 | 19.35 | |
| 10 | QPSK | 25 | 24 | 20.01 | 19.16 | 19.63 | |
| 10 | QPSK | 50 | 0 | 20.06 | 19.36 | 19.34 | |
| 10 | 16QAM | 1 | 0 | 19.42 | 19.75 | 19.51 | 1 |
| 10 | 16QAM | 1 | 24 | 19.56 | 19.71 | 19.57 | |
| 10 | 16QAM | 1 | 49 | 19.84 | 19.40 | 20.12 | |
| 10 | 16QAM | 25 | 0 | 18.22 | 18.31 | 18.43 | 2 |
| 10 | 16QAM | 25 | 12 | 18.23 | 18.35 | 18.44 | |
| 10 | 16QAM | 25 | 24 | 18.16 | 18.17 | 18.62 | |
| 10 | 16QAM | 50 | 0 | 18.17 | 18.37 | 18.23 | |
| Channel | | | | 20815 | 21095 | 21425 | Target MPR (dB) |
| Frequency (MHz) | | | | 2506.5 | 2534.5 | 2567.5 | |
| 5 | QPSK | 1 | 0 | 20.15 | 20.23 | 20.21 | 0 |
| 5 | QPSK | 1 | 12 | 20.36 | 20.14 | 20.34 | |
| 5 | QPSK | 1 | 24 | 20.39 | 20.15 | 20.40 | |
| 5 | QPSK | 12 | 0 | 19.26 | 19.41 | 19.79 | 1 |
| 5 | QPSK | 12 | 6 | 19.14 | 19.30 | 19.81 | |
| 5 | QPSK | 12 | 11 | 19.22 | 19.31 | 19.93 | |
| 5 | QPSK | 25 | 0 | 19.25 | 19.29 | 19.69 | |
| 5 | 16QAM | 1 | 0 | 19.48 | 19.64 | 19.57 | 1 |
| 5 | 16QAM | 1 | 12 | 19.32 | 19.63 | 21.16 | |
| 5 | 16QAM | 1 | 24 | 19.49 | 19.28 | 19.88 | |
| 5 | 16QAM | 12 | 0 | 18.35 | 18.25 | 18.86 | 2 |
| 5 | 16QAM | 12 | 6 | 18.26 | 18.25 | 18.93 | |
| 5 | 16QAM | 12 | 11 | 18.35 | 18.01 | 18.93 | |
| 5 | 16QAM | 25 | 0 | 18.40 | 18.20 | 18.69 | |



<WLAN 2.4GHz Band Conducted Power>

General Note:

1. Per KDB 248227 D01 v01r02, choose the highest output power channel to test SAR and determine further SAR exclusion
2. For each frequency band, testing at higher data rates and higher order modulations is not required when the maximum average output power for each of these configurations is less than 1/4dB higher than those measured at the lowest data rate
3. Per KDB 248227 D01 v01r02, 11g and 11n-HT20 output power is less than 1/4dB higher than 11b mode, thus the SAR can be excluded.

| 802.11b Average Power (dBm) | | | | | |
|-----------------------------|-----------------|-----------------|--------|----------|---------|
| Channel | Frequency (MHz) | Data Rate (bps) | | | |
| | | 1M bps | 2M bps | 5.5M bps | 11M bps |
| CH 01 | 2412 | 15.66 | 15.61 | 15.62 | 15.65 |
| CH 06 | 2437 | 16.42 | 16.35 | 16.37 | 16.39 |
| CH 11 | 2462 | 16.75 | 16.63 | 16.72 | 16.73 |

| 802.11g Average Power (dBm) | | | | | | | | | |
|-----------------------------|-----------------|-----------------|--------|---------|---------|---------|---------|---------|---------|
| Channel | Frequency (MHz) | Data Rate (bps) | | | | | | | |
| | | 6M bps | 9M bps | 12M bps | 18M bps | 24M bps | 36M bps | 48M bps | 54M bps |
| CH 01 | 2412 | 13.39 | 13.53 | 13.59 | 13.66 | 13.65 | 13.73 | 13.68 | 13.67 |
| CH 06 | 2437 | 13.72 | 13.68 | 13.73 | 13.85 | 13.83 | 13.96 | 13.93 | 13.97 |
| CH 11 | 2462 | 13.99 | 14.11 | 14.15 | 14.31 | 14.27 | 14.36 | 14.31 | 14.38 |

| WLAN 2.4GHz Band 802.11n-HT20 Average Power (dBm) | | | | | | | | | |
|---|-----------------|-----------|-------|-------|-------|-------|-------|-------|-------|
| Channel | Frequency (MHz) | MCS Index | | | | | | | |
| | | MCS0 | MCS1 | MCS2 | MCS3 | MCS4 | MCS5 | MCS6 | MCS7 |
| CH 01 | 2412 | 13.59 | 13.73 | 13.73 | 13.83 | 13.82 | 13.81 | 13.74 | 13.82 |
| CH 06 | 2437 | 13.89 | 13.97 | 13.98 | 14.03 | 14.04 | 14.07 | 14.07 | 14.11 |
| CH 11 | 2462 | 14.09 | 14.20 | 14.25 | 14.28 | 14.27 | 14.24 | 14.31 | 14.35 |

<Bluetooth Conducted Power>

| Bluetooth Average Power (dBm) | | | | | | | | | | |
|-------------------------------|-----------------|-----------|-------|-------|-------|-------|-------|-------|-------|-------|
| Channel | Frequency (MHz) | Data Rate | | | | | | | | |
| | | DH1 | DH3 | DH5 | 2DH1 | 2DH3 | 2DH5 | 3DH1 | 3DH3 | 3DH5 |
| CH 00 | 2402 | -0.91 | -0.12 | -0.20 | -2.06 | -1.54 | -1.72 | -2.07 | -1.56 | -1.73 |
| CH 39 | 2441 | -0.50 | 0.46 | 0.37 | -1.46 | -0.85 | -1.03 | -1.61 | -0.88 | -1.04 |
| CH 78 | 2480 | -0.10 | 0.87 | 0.76 | -1.22 | -0.68 | -0.70 | -1.07 | -0.66 | -0.72 |

| Channel | Frequency (MHz) | Average power (dBm) |
|---------|-----------------|---------------------|
| | | Mode |
| | | BT v4.0 LE, GFSK |
| CH 00 | 2402 | -1.04 |
| CH 19 | 2440 | -0.17 |
| CH 39 | 2480 | -0.08 |

Note:

- Per KDB 447498 D01v05r01, the 1-g and 10-g SAR test exclusion thresholds for 100 MHz to 6 GHz at test separation distances ≤ 50 mm are determined by:

$$[(\text{max. power of channel, including tune-up tolerance, mW}) / (\text{min. test separation distance, mm})] \cdot [\sqrt{f(\text{GHz})}] \leq 3.0$$
 for 1-g SAR and ≤ 7.5 for 10-g extremity SAR
 - f(GHz) is the RF channel transmit frequency in GHz
 - Power and distance are rounded to the nearest mW and mm before calculation
 - The result is rounded to one decimal place for comparison
 - If the test separation distance (antenna-user) is < 5mm, 5mm is used for excluded SAR calculation

| Bluetooth Max Power (dBm) | mW | Test Distance (mm) | Frequency (GHz) | Exclusion Thresholds |
|---------------------------|------|--------------------|-----------------|----------------------|
| 1 | 1.26 | 0 | 2.48 | 0.40 |

- Per KDB 447498 D01v05r01 exclusion thresholds is 0.40 < 3, RF exposure evaluation is not required.



<WLAN 5GHz Band Conducted Power>

General Note:

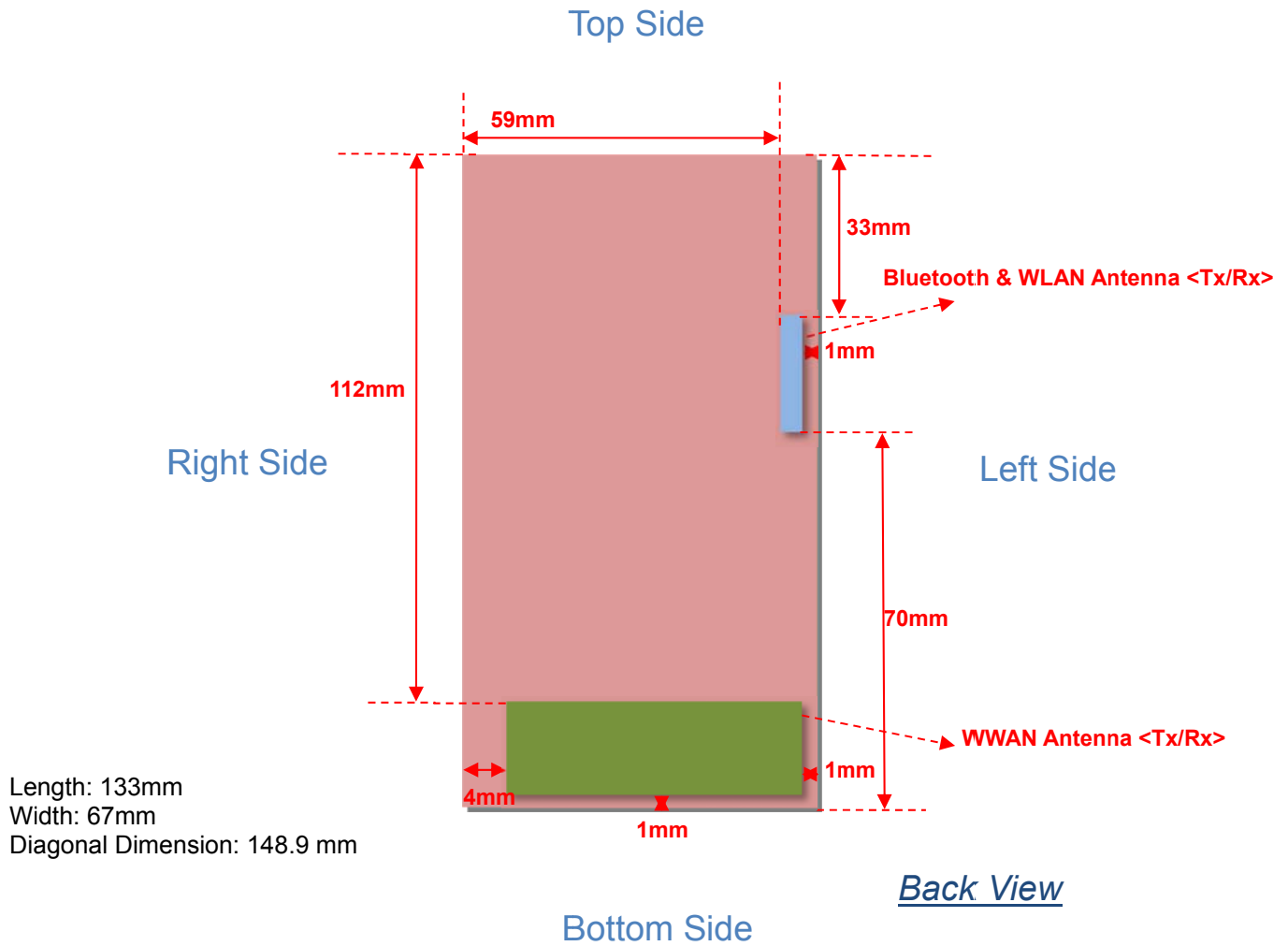
1. Per KDB 248227 D01 v01r02, choose the highest output power channel to test SAR and determine further SAR exclusion
2. Per KDB 248227 D01 v01r02, 11n-HT20 output power is less than 1/4dB higher than 802.11a mode, thus the SAR can be excluded.
3. For each frequency band, testing at higher data rates and higher order modulations is not required when the maximum average output power for each of these configurations is less than 1/4 dB higher than those measured at the lowest data rate. 5GHz WLAN SAR was tested on 802.11a 6Mbps.

| 802.11a Average Power (dBm) | | | | | | | | | |
|-----------------------------|-----------------|---------------------|-------|-------|-------|-------|-------|-------|-------|
| Channel | Frequency (MHz) | Average Power (dBm) | | | | | | | |
| | | Data Rate (bps) | | | | | | | |
| | | 6M | 9M | 12M | 18M | 24M | 36M | 48M | 54M |
| CH 036 | 5180 | 10.65 | 10.62 | 10.65 | 10.76 | 10.63 | 10.82 | 10.83 | 10.94 |
| CH 040 | 5200 | 10.83 | 10.80 | 10.83 | 10.94 | 10.81 | 11.00 | 11.01 | 11.12 |
| CH 044 | 5220 | 11.43 | 11.38 | 10.97 | 11.55 | 11.58 | 11.60 | 11.65 | 11.76 |
| CH 048 | 5240 | 11.83 | 11.72 | 11.83 | 11.74 | 11.78 | 11.86 | 11.76 | 11.88 |
| CH 052 | 5260 | 11.74 | 11.75 | 11.86 | 11.83 | 11.83 | 11.95 | 11.94 | 11.98 |
| CH 056 | 5280 | 11.69 | 11.70 | 11.81 | 11.78 | 11.78 | 11.90 | 11.89 | 11.93 |
| CH 060 | 5300 | 12.47 | 12.52 | 12.56 | 12.58 | 12.53 | 12.64 | 12.67 | 12.76 |
| CH 064 | 5320 | 12.87 | 12.89 | 12.92 | 13.00 | 12.87 | 12.94 | 13.02 | 13.08 |
| CH 100 | 5500 | 13.69 | 13.71 | 13.73 | 13.75 | 13.77 | 13.81 | 13.90 | 13.95 |
| CH 104 | 5520 | 13.27 | 13.29 | 13.31 | 13.33 | 13.35 | 13.39 | 13.48 | 13.53 |
| CH 108 | 5540 | 13.54 | 13.56 | 13.58 | 13.60 | 13.62 | 13.66 | 13.75 | 13.80 |
| CH 112 | 5560 | 13.42 | 13.44 | 13.46 | 13.48 | 13.50 | 13.54 | 13.63 | 13.68 |
| CH 116 | 5580 | 13.86 | 13.87 | 13.55 | 13.82 | 13.96 | 14.03 | 14.08 | 14.13 |
| CH 136 | 5680 | 13.74 | 13.75 | 13.72 | 13.78 | 13.82 | 13.87 | 13.94 | 14.02 |
| CH 140 | 5700 | 14.18 | 14.09 | 14.06 | 14.12 | 14.16 | 14.21 | 14.28 | 14.36 |
| CH 149 | 5745 | 13.72 | 13.79 | 13.75 | 13.84 | 13.81 | 13.88 | 13.78 | 13.91 |
| CH 153 | 5765 | 13.48 | 13.45 | 13.49 | 13.51 | 13.57 | 13.68 | 13.63 | 13.75 |
| CH 157 | 5785 | 13.48 | 13.59 | 13.55 | 13.62 | 13.67 | 13.76 | 13.68 | 13.84 |
| CH 161 | 5805 | 13.94 | 13.83 | 13.81 | 13.90 | 13.88 | 13.99 | 13.93 | 14.11 |



| WLAN 5GHz Band 802. 11n-HT20 Average Power (dBm) | | | | | | | | | |
|--|-----------------|---------------------|-------|-------|-------|-------|-------|-------|-------|
| Channel | Frequency (MHz) | Average Power (dBm) | | | | | | | |
| | | Data Rate (bps) | | | | | | | |
| | | MCS0 | MCS1 | MCS2 | MCS3 | MCS4 | MCS5 | MCS6 | MCS7 |
| CH 036 | 5180 | 10.74 | 10.80 | 10.80 | 10.89 | 10.99 | 10.97 | 11.01 | 11.00 |
| CH 040 | 5200 | 10.56 | 10.62 | 10.62 | 10.71 | 10.81 | 10.79 | 10.83 | 10.82 |
| CH 044 | 5220 | 11.52 | 11.59 | 11.64 | 11.67 | 11.76 | 11.82 | 11.77 | 11.77 |
| CH 048 | 5240 | 11.68 | 11.76 | 11.82 | 11.87 | 11.88 | 11.91 | 11.93 | 11.95 |
| CH 052 | 5260 | 11.72 | 11.84 | 11.84 | 11.89 | 11.94 | 12.01 | 11.97 | 12.01 |
| CH 056 | 5280 | 11.67 | 11.79 | 11.79 | 11.84 | 11.89 | 11.96 | 11.92 | 11.96 |
| CH 060 | 5300 | 12.41 | 12.47 | 12.57 | 12.63 | 12.66 | 12.76 | 12.62 | 12.72 |
| CH 064 | 5320 | 12.76 | 12.88 | 12.93 | 12.99 | 13.02 | 13.06 | 13.04 | 13.08 |
| CH 100 | 5500 | 13.55 | 13.63 | 13.67 | 13.71 | 13.84 | 13.86 | 13.88 | 13.91 |
| CH 104 | 5520 | 13.06 | 13.14 | 13.18 | 13.22 | 13.35 | 13.37 | 13.39 | 13.42 |
| CH 108 | 5540 | 13.25 | 13.33 | 13.37 | 13.41 | 13.54 | 13.56 | 13.58 | 13.61 |
| CH 112 | 5560 | 13.27 | 13.24 | 13.28 | 13.30 | 13.53 | 13.63 | 13.66 | 13.67 |
| CH 116 | 5580 | 13.78 | 13.75 | 13.79 | 13.81 | 14.04 | 14.14 | 14.17 | 14.18 |
| CH 136 | 5680 | 13.28 | 13.34 | 13.47 | 13.53 | 13.56 | 13.60 | 13.62 | 13.63 |
| CH 140 | 5700 | 13.98 | 14.04 | 14.17 | 14.23 | 14.26 | 14.30 | 14.32 | 14.33 |
| CH 149 | 5745 | 13.49 | 13.75 | 13.73 | 13.72 | 13.75 | 13.75 | 13.84 | 13.98 |
| CH 153 | 5765 | 13.60 | 13.75 | 13.74 | 13.70 | 13.88 | 13.90 | 13.93 | 13.95 |
| CH 157 | 5785 | 13.58 | 13.74 | 13.79 | 13.61 | 13.58 | 13.73 | 13.81 | 13.83 |
| CH 161 | 5805 | 13.74 | 13.86 | 13.92 | 13.79 | 12.79 | 13.80 | 13.93 | 14.02 |

11. Antenna Location



| Antennas | Wireless Interface |
|------------------------------------|---|
| WWAN Antenna <Tx / Rx> | GSM1900 LTE Band 7 |
| Bluetooth & WLAN Antenna <Tx / Rx> | WLAN 2.4GHz Band WLAN 5GHz Band Bluetooth |



| Distance of the Antenna to the EUT surface/edge | | | | | | |
|---|--------|--------|----------|-------------|------------|-----------|
| Antennas | Back | Front | Top Side | Bottom Side | Right Side | Left Side |
| WWAN | ≤ 25mm | ≤ 25mm | 112mm | ≤ 25mm | ≤ 25mm | ≤ 25mm |
| Bluetooth & WLAN | ≤ 25mm | ≤ 25mm | 33mm | 70mm | 59mm | ≤ 25mm |

| Positions for SAR tests; Hotspot mode Test distance: 10 mm | | | | | | |
|---|------|-------|----------|-------------|------------|-----------|
| Antennas | Back | Front | Top Side | Bottom Side | Right Side | Left Side |
| WWAN | Yes | Yes | NO | Yes | Yes | Yes |
| Bluetooth & WLAN | Yes | Yes | NO | NO | NO | Yes |

Note: Per KDB 941225 D06 v01r01, when the overall device length and width are ≥ 9cm*5cm, the test distance is 10 mm. SAR must be measured for all sides and surfaces with a transmitting antenna located within 25mm from that surface or edge.



12. SAR Test Results

General Note:

1. Per KDB 447498 D01v05r01, the reported SAR is the measured SAR value adjusted for maximum tune-up tolerance.
 - a. Tune-up scaling Factor = tune-up limit power (mW) / EUT RF power (mW), where tune-up limit is the maximum rated power among all production units.
 - b. For SAR testing of WLAN signal with non-100% duty cycle, the measured SAR is scaled-up by the duty cycle scaling factor which is equal to "1/(duty cycle)"
 - c. For WWAN: Reported SAR(W/kg)= Measured SAR(W/kg)*Tune-up Scaling Factor
 - d. For WLAN: Reported SAR(W/kg)= Measured SAR(W/kg)* Duty Cycle scaling factor * Tune-up scaling factor
2. Per KDB 447498 D01v05r01, for each exposure position, if the highest output channel reported SAR ≤0.8W/kg, other channels SAR testing is not necessary.
3. For hotspot SAR testing, per KDB 941225 D06v01r01, for EUT dimension ≥ 9cm*5cm, the test distance is 1cm. SAR must be measured for all surfaces and sides with a transmitting antenna located within 2.5cm from that surface or edge.
4. For SAR testing of WLAN signal with non-100% duty cycle, the measured SAR is scaled-up by the duty cycle scaling factor which is equal to "1/(duty cycle)"
5. Body-worn SAR testing was performed at 10mm separation, and this distance is determined by the handset manufacturer that there will be body-worn accessories that users may acquire at the time of equipment certification, to enable users to purchase aftermarket body-worn accessories with the required minimum separation.
6. In WLAN 5.8 GHz Band, this device did not support Hotspot mode (AP Router), but supported "wifi direct owner" that this device must use hotspot test procedure perform SAR testing.
7. Per KDB 941225 D05v02r02, when reported SAR of 1RB and 50%RB allocation for QPSK ≤0.8W/kg, and 100%RB with QPSK output power is less than 1RB and 50%RB, 100%RB allocation for QPSK is not required.
8. Per KDB 941225 D05v02r02, when reported SAR of 1RB and 50%RB allocation for QPSK >0.8W/kg for any exposure position, SAR testing of 100%RB allocation for QPSK is performed at the highest power channel, and if the reported SAR is > 1.45 W/kg, the remaining required test channels must also be tested.
9. 16QAM output power for each RB allocation configuration is > not ½ dB higher than the same configuration in QPSK and the reported SAR for the QPSK configuration is ≤ 1.45 W/kg; Per KDB 941225 D05v02r02, 16QAM SAR testing is not required.
10. Per KDB 941225 D05v02r02, smaller bandwidth output power for each RB allocation configuration is not > ½ dB higher than the same configuration in the largest supported bandwidth and when the QPSK SAR for those configurations is ≤ 1.45 W/kg, so smaller bandwidth SAR testing is not required.
11. Body-worn exposure conditions are intended to voice call operations, therefore DTM mode is selected to be tested.
12. Per KDB 648474 D04v01r01, when the reported SAR for a body-worn accessory measured without a headset connected to the handset is ≤ 1.2 W/kg, SAR testing with a headset connected to the handset is not required.

12.1 Head SAR

<GSM SAR>

| Plot No. | Band | Mode | Test Position | Battery | Ch. | Freq. (MHz) | Average Power (dBm) | Tune-Up Limit (dBm) | Scaling Factor | Power Drift (dB) | Measured 1g SAR (W/kg) | Reported 1g SAR (W/kg) |
|----------|---------|-------------------|---------------|---------|-----|-------------|---------------------|---------------------|----------------|------------------|------------------------|------------------------|
| #22 | GSM1900 | DTM 5 (2Tx slots) | Right Cheek | #1 | 661 | 1880 | 27.93 | 29 | 1.279 | 0.06 | 0.34 | 0.435 |
| #23 | GSM1900 | DTM 5 (2Tx slots) | Right Tilted | #1 | 661 | 1880 | 27.93 | 29 | 1.279 | 0.04 | 0.132 | 0.169 |
| #24 | GSM1900 | DTM 5 (2Tx slots) | Left Cheek | #1 | 661 | 1880 | 27.93 | 29 | 1.279 | -0.07 | 0.305 | 0.390 |
| #25 | GSM1900 | DTM 5 (2Tx slots) | Left Tilted | #1 | 661 | 1880 | 27.93 | 29 | 1.279 | -0.06 | 0.142 | 0.182 |
| #26 | GSM1900 | DTM 5 (2Tx slots) | Left Cheek | #2 | 661 | 1880 | 27.93 | 29 | 1.279 | 0.04 | 0.334 | 0.427 |



<LTE SAR>

Table with 16 columns: Plot No., Band, BW (MHz), Modulation, RB Size, RB Offset, Test Position, Battery, Ch., Freq. (MHz), Average Power (dBm), Tune-Up Limit (dBm), Tune-up Scaling Factor, Power Drift (dB), Measured 1g SAR (W/kg), Reported 1g SAR (W/kg). Rows #231-#240.

<WLAN 2.4GHz SAR>

Table with 16 columns: Plot No., Band, Mode, Test Position, Battery, Ch., Freq. (MHz), Average Power (dBm), Tune-Up Limit (dBm), Scaling Factor, Duty Cycle %, Duty Cycle Compensate Factor, Power Drift (dB), Measured 1g SAR (W/kg), Reported 1g SAR (W/kg). Rows #38-#42.

<WLAN 5GHz SAR>

Table with 16 columns: Plot No., Band, Mode, Test Position, Battery, Ch., Freq. (MHz), Average Power (dBm), Tune-Up Limit (dBm), Scaling Factor, Duty Cycle %, Duty Cycle Compensate Factor, Power Drift (dB), Measured 1g SAR (W/kg), Reported 1g SAR (W/kg). Rows #43-#52.



12.2 Hotspot SAR

<GSM SAR>

| Plot No. | Band | Mode | Test Position | Battery | Gap (cm) | Ch. | Freq. (MHz) | Average Power (dBm) | Tune-Up Limit (dBm) | Scaling Factor | Power Drift (dB) | Measured 1g SAR (W/kg) | Reported 1g SAR (W/kg) |
|----------|---------|-------------------|---------------|---------|----------|-----|-------------|---------------------|---------------------|----------------|------------------|------------------------|------------------------|
| #27 | GSM1900 | DTM 5 (2Tx slots) | Front | #1 | 1 | 661 | 1880 | 27.93 | 29 | 1.279 | 0.02 | 0.327 | 0.418 |
| #28 | GSM1900 | DTM 5 (2Tx slots) | Back | #1 | 1 | 661 | 1880 | 27.93 | 29 | 1.279 | -0.02 | 0.526 | 0.673 |
| #29 | GSM1900 | DTM 5 (2Tx slots) | Left Side | #1 | 1 | 661 | 1880 | 27.93 | 29 | 1.279 | 0.02 | 0.14 | 0.179 |
| #30 | GSM1900 | DTM 5 (2Tx slots) | Right Side | #1 | 1 | 661 | 1880 | 27.93 | 29 | 1.279 | -0.07 | 0.161 | 0.206 |
| #31 | GSM1900 | DTM 5 (2Tx slots) | Bottom Side | #1 | 1 | 661 | 1880 | 27.93 | 29 | 1.279 | -0.01 | 0.437 | 0.559 |
| #32 | GSM1900 | DTM 5 (2Tx slots) | Back | #2 | 1 | 661 | 1880 | 27.93 | 29 | 1.279 | -0.07 | 0.466 | 0.596 |

<LTE SAR>

| Plot No. | Band | BW (MHz) | Modulation | RB Size | RB Offset | Test Position | Battery | Gap (cm) | Ch. | Freq. (MHz) | Average Power (dBm) | Tune-Up Limit (dBm) | Tune-up Scaling Factor | Power Drift (dB) | Measured 1g SAR (W/kg) | Reported 1g SAR (W/kg) |
|----------|------------|----------|------------|---------|-----------|---------------|---------|----------|-------|-------------|---------------------|---------------------|------------------------|------------------|------------------------|------------------------|
| #201 | LTE Band 7 | 20M | QPSK | 1 | 0 | Front | #1 | 1 | 21020 | 2527 | 20.59 | 21.5 | 1.233 | -0.01 | 0.284 | 0.350 |
| #202 | LTE Band 7 | 20M | QPSK | 1 | 0 | Back | #1 | 1 | 21020 | 2527 | 20.59 | 21.5 | 1.233 | 0.04 | 1.060 | 1.307 |
| #203 | LTE Band 7 | 20M | QPSK | 1 | 0 | Left Side | #1 | 1 | 21020 | 2527 | 20.59 | 21.5 | 1.233 | -0.02 | 0.046 | 0.057 |
| #204 | LTE Band 7 | 20M | QPSK | 1 | 0 | Right Side | #1 | 1 | 21020 | 2527 | 20.59 | 21.5 | 1.233 | -0.06 | 0.068 | 0.084 |
| #205 | LTE Band 7 | 20M | QPSK | 1 | 0 | Bottom Side | #1 | 1 | 21020 | 2527 | 20.59 | 21.5 | 1.233 | -0.09 | 0.742 | 0.915 |
| #206 | LTE Band 7 | 20M | QPSK | 1 | 0 | Back | #1 | 1 | 20890 | 2514 | 20.3 | 21.5 | 1.318 | 0.06 | 0.944 | 1.244 |
| #208 | LTE Band 7 | 20M | QPSK | 1 | 0 | Bottom Side | #1 | 1 | 20890 | 2514 | 20.3 | 21.5 | 1.318 | -0.02 | 0.749 | 0.987 |
| #209 | LTE Band 7 | 20M | QPSK | 1 | 0 | Back | #2 | 1 | 21020 | 2527 | 20.59 | 21.5 | 1.233 | 0.06 | 1.050 | 1.295 |
| #224 | LTE Band 7 | 20M | QPSK | 1 | 0 | Back | #2 | 1 | 20890 | 2514 | 20.3 | 21.5 | 1.318 | 0.04 | 0.948 | 1.250 |
| #210 | LTE Band 7 | 20M | QPSK | 50 | 0 | Front | #1 | 1 | 20890 | 2514 | 19.95 | 20.5 | 1.135 | -0.01 | 0.174 | 0.197 |
| #211 | LTE Band 7 | 20M | QPSK | 50 | 0 | Back | #1 | 1 | 20890 | 2514 | 19.95 | 20.5 | 1.135 | -0.09 | 0.866 | 0.983 |
| #212 | LTE Band 7 | 20M | QPSK | 50 | 0 | Left Side | #1 | 1 | 20890 | 2514 | 19.95 | 20.5 | 1.135 | -0.08 | 0.040 | 0.045 |
| #213 | LTE Band 7 | 20M | QPSK | 50 | 0 | Right Side | #1 | 1 | 20890 | 2514 | 19.95 | 20.5 | 1.135 | -0.08 | 0.063 | 0.072 |
| #214 | LTE Band 7 | 20M | QPSK | 50 | 0 | Bottom Side | #1 | 1 | 20890 | 2514 | 19.95 | 20.5 | 1.135 | -0.03 | 0.608 | 0.690 |
| #215 | LTE Band 7 | 20M | QPSK | 50 | 0 | Back | #1 | 1 | 21020 | 2527 | 19.64 | 20.5 | 1.219 | -0.07 | 0.949 | 1.157 |
| #216 | LTE Band 7 | 20M | QPSK | 50 | 0 | Back | #2 | 1 | 21020 | 2527 | 19.64 | 20.5 | 1.219 | -0.06 | 0.910 | 1.109 |
| #225 | LTE Band 7 | 20M | QPSK | 50 | 0 | Back | #2 | 1 | 20890 | 2514 | 19.95 | 20.5 | 1.135 | 0.09 | 0.880 | 0.999 |
| #217 | LTE Band 7 | 20M | QPSK | 100 | 0 | Front | #1 | 1 | 20890 | 2514 | 19.92 | 20.5 | 1.143 | -0.05 | 0.191 | 0.218 |
| #218 | LTE Band 7 | 20M | QPSK | 100 | 0 | Back | #1 | 1 | 20890 | 2514 | 19.92 | 20.5 | 1.143 | -0.05 | 0.954 | 1.090 |
| #219 | LTE Band 7 | 20M | QPSK | 100 | 0 | Left Side | #1 | 1 | 20890 | 2514 | 19.92 | 20.5 | 1.143 | 0.01 | 0.039 | 0.045 |
| #220 | LTE Band 7 | 20M | QPSK | 100 | 0 | Right Side | #1 | 1 | 20890 | 2514 | 19.92 | 20.5 | 1.143 | -0.05 | 0.062 | 0.071 |
| #221 | LTE Band 7 | 20M | QPSK | 100 | 0 | Bottom Side | #1 | 1 | 20890 | 2514 | 19.92 | 20.5 | 1.143 | -0.09 | 0.629 | 0.719 |
| #223 | LTE Band 7 | 20M | QPSK | 100 | 0 | Back | #2 | 1 | 20890 | 2514 | 19.92 | 20.5 | 1.143 | -0.05 | 0.931 | 1.064 |



<WLAN 2.4GHz SAR>

| Plot No. | Band | Mode | Test Position | Battery | Gap (cm) | Ch. | Freq. (MHz) | Average Power (dBm) | Tune-Up Limit (dBm) | Scaling Factor | Duty Cycle % | Duty Cycle Compensate Factor | Power Drift (dB) | Measured 1g SAR (W/kg) | Reported 1g SAR (W/kg) |
|----------|-------------|---------------|---------------|---------|----------|-----|-------------|---------------------|---------------------|----------------|--------------|------------------------------|------------------|------------------------|------------------------|
| #33 | WLAN 2.4GHz | 802.11b 1Mbps | Front | #1 | 1 | 11 | 2462 | 16.75 | 17 | 1.059 | 97.63 | 1.024 | -0.03 | 0.034 | 0.037 |
| #34 | WLAN 2.4GHz | 802.11b 1Mbps | Back | #1 | 1 | 11 | 2462 | 16.75 | 17 | 1.059 | 97.63 | 1.024 | -0.04 | 0.171 | 0.185 |
| #35 | WLAN 2.4GHz | 802.11b 1Mbps | Left Side | #1 | 1 | 11 | 2462 | 16.75 | 17 | 1.059 | 97.63 | 1.024 | -0.12 | 0.151 | 0.164 |
| #37 | WLAN 2.4GHz | 802.11b 1Mbps | Back | #2 | 1 | 11 | 2462 | 16.75 | 17 | 1.059 | 97.63 | 1.024 | -0.03 | 0.163 | 0.177 |

<WLAN 5GHz SAR>

| Plot No. | Band | Mode | Test Position | Battery | Gap (cm) | Ch. | Freq. (MHz) | Average Power (dBm) | Tune-Up Limit (dBm) | Scaling Factor | Duty Cycle % | Duty Cycle Compensate Factor | Power Drift (dB) | Measured 1g SAR (W/kg) | Reported 1g SAR (W/kg) |
|----------|-------------|---------------|---------------|---------|----------|-----|-------------|---------------------|---------------------|----------------|--------------|------------------------------|------------------|------------------------|------------------------|
| #56 | WLAN 5.8GHz | 802.11a 6Mbps | Front | #1 | 1 | 161 | 5805 | 13.94 | 14.5 | 1.138 | 87.24 | 1.146 | -0.05 | 0.06 | 0.068 |
| #57 | WLAN 5.8GHz | 802.11a 6Mbps | Back | #1 | 1 | 161 | 5805 | 13.94 | 14.5 | 1.138 | 87.24 | 1.146 | -0.07 | 0.385 | 0.438 |
| #59 | WLAN 5.8GHz | 802.11a 6Mbps | Left Side | #1 | 1 | 161 | 5805 | 13.94 | 14.5 | 1.138 | 87.24 | 1.146 | -0.01 | 0.374 | 0.425 |
| #58 | WLAN 5.8GHz | 802.11a 6Mbps | Back | #2 | 1 | 161 | 5805 | 13.94 | 14.5 | 1.138 | 87.24 | 1.146 | 0.02 | 0.375 | 0.427 |



12.3 Body Worn SAR

<GSM SAR>

Table with 13 columns: Plot No., Band, Mode, Test Position, Battery, Gap (cm), Ch., Freq. (MHz), Average Power (dBm), Tune-Up Limit (dBm), Scaling Factor, Power Drift (dB), Measured 1g SAR (W/kg), Reported 1g SAR (W/kg). Rows #27, #28, #32.

<LTE SAR>

Table with 17 columns: Plot No., Band, BW (MHz), Modulation, RB Size, RB Offset, Test Position, Battery, Gap (cm), Ch., Freq. (MHz), Average Power (dBm), Tune-Up Limit (dBm), Tune-up Scaling Factor, Power Drift (dB), Measured 1g SAR (W/kg), Reported 1g SAR (W/kg). Rows #201-#223.

<WLAN 2.4GHz SAR>

Table with 16 columns: Plot No., Band, Mode, Test Position, Battery, Gap (cm), Ch., Freq. (MHz), Average Power (dBm), Tune-Up Limit (dBm), Scaling Factor, Duty Cycle %, Duty Cycle Compensate Factor, Power Drift (dB), Measured 1g SAR (W/kg), Reported 1g SAR (W/kg). Rows #33, #34, #37.

<WLAN 5GHz SAR>

Table with 16 columns: Plot No., Band, Mode, Test Position, Battery, Gap (cm), Ch., Freq. (MHz), Average Power (dBm), Tune-Up Limit (dBm), Scaling Factor, Duty Cycle %, Duty Cycle Compensate Factor, Power Drift (dB), Measured 1g SAR (W/kg), Reported 1g SAR (W/kg). Rows #53-#58.



12.4 Repeated SAR Measurement

| Plot No. | Band | BW (MHz) | Modulation | RB Size | RB Offset | Test Position | Battery | Gap (cm) | Ch. | Freq. (MHz) | Average Power (dBm) | Tune-Up Limit (dBm) | Tune-up Scaling Factor | Power Drift (dB) | Measured 1g SAR (W/kg) | Ratio | Reported 1g SAR (W/kg) |
|----------|------------|----------|------------|---------|-----------|---------------|---------|----------|-------|-------------|---------------------|---------------------|------------------------|------------------|------------------------|-------|------------------------|
| #202 | LTE Band 7 | 20M | QPSK | 1 | 0 | Back | #1 | 1 | 21020 | 2527 | 20.59 | 21.5 | 1.233 | 0.04 | 1.060 | 1 | 1.307 |
| #207 | LTE Band 7 | 20M | QPSK | 1 | 0 | Back | #1 | 1 | 21020 | 2527 | 20.59 | 21.5 | 1.233 | -0.08 | 1.050 | 1.010 | 1.295 |

Note:

1. Per KDB 865664 D01v01r01, for each frequency band, repeated SAR measurement is required only when the measured SAR is $\geq 0.8W/kg$
2. Per KDB 865664 D01v01r01, if the ratio among the repeated measurement is ≤ 1.2 and the measured SAR $< 1.45W/kg$, only one repeated measurement is required.
3. The ratio is the difference in percentage between original and repeated *measured SAR*.
4. All measurement SAR result is scaled-up to account for tune-up tolerance and is compliant.

12.5 Highest SAR Plot

Test Laboratory: Sporton International Inc. SAR/HAC Testing Lab

Date: 2013.08.16

#28 GSM1900_DTM 5 (2 Tx slots)_Back_1cm_Ch661_Battery #1

DUT: 340403-01

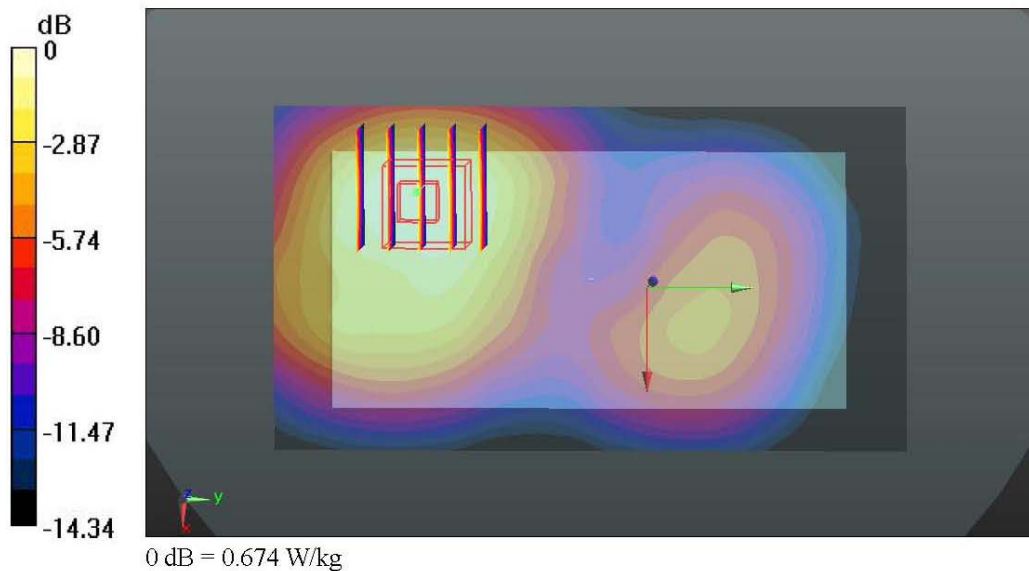
Communication System: GPRS/EDGE10; Frequency: 1880 MHz; Duty Cycle: 1:4.15
 Medium: MSL_1900_130816 Medium parameters used: $f = 1880$ MHz; $\sigma = 1.489$ mho/m; $\epsilon_r = 53.955$; $\rho = 1000$ kg/m³
 Ambient Temperature : 23.4 °C; Liquid Temperature : 22.7 °C

DASY5 Configuration:

- Probe: EX3DV4 - SN3819; ConvF(7.67, 7.67, 7.67); Calibrated: 26.11.2012;
- Sensor-Surface: 2mm (Mechanical Surface Detection)
- Electronics: DAE4 Sn1303; Calibrated: 22.11.2012
- Phantom: SAM1; Type: QD000P40CD; Serial: TP:1670
- Measurement SW: DASY52, Version 52.8 (2); SEMCAD X Version 14.6.6 (6824)

Ch661/Area Scan (61x111x1): Interpolated grid: dx=15mm, dy=15mm
 Maximum value of SAR (interpolated) = 0.684 W/kg

Ch661/Zoom Scan (5x5x7)/Cube 0: Measurement grid: dx=8mm, dy=8mm, dz=5mm
 Reference Value = 2.254 V/m; Power Drift = -0.02 dB
 Peak SAR (extrapolated) = 0.821 mW/g
SAR(1 g) = 0.526 mW/g; SAR(10 g) = 0.329 mW/g
 Maximum value of SAR (measured) = 0.674 W/kg



Test Laboratory: Sporton International Inc. SAR/HAC Testing Lab

Date: 2013.09.05

#202 LTE Band 7_QPSK 1RB 0offset_Back_1cm_Ch21020_Battery #1

DUT: 340403-01

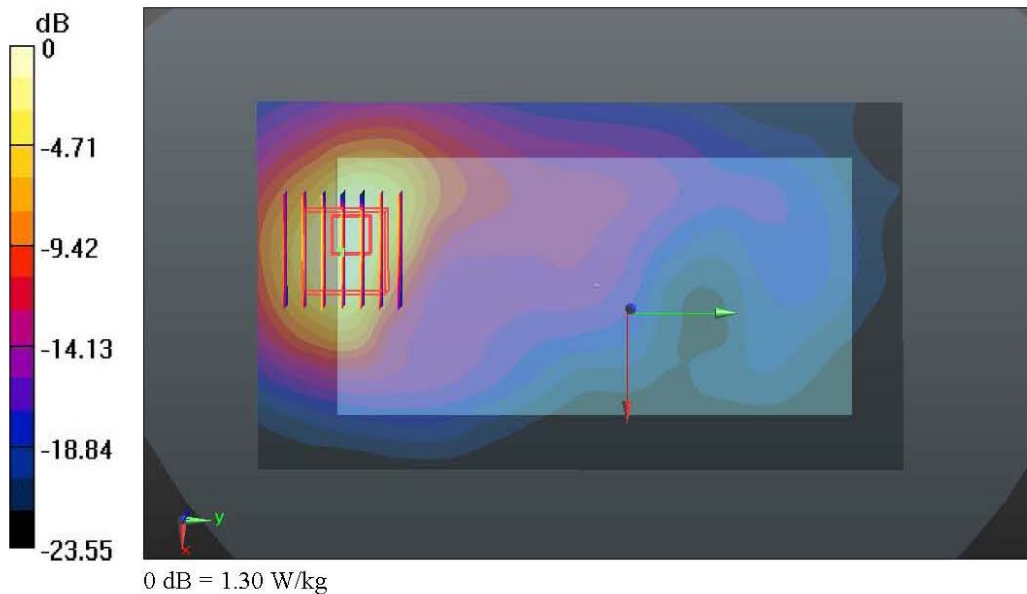
Communication System: LTE; Frequency: 2527 MHz; Duty Cycle: 1:1
 Medium: MSL_2600_130905 Medium parameters used: $f = 2527 \text{ MHz}$; $\sigma = 2.077 \text{ mho/m}$; $\epsilon_r = 53.931$; $\rho = 1000 \text{ kg/m}^3$
 Ambient Temperature : 23.5 °C; Liquid Temperature : 22.8 °C

DASY5 Configuration:

- Probe: EX3DV4 - SN3819; ConvF(6.89, 6.89, 6.89); Calibrated: 2012.11.26;
- Sensor-Surface: 2mm (Mechanical Surface Detection)
- Electronics: DAE4 Sn1303; Calibrated: 2012.11.22
- Phantom: SAM1; Type: QD000P40CD; Serial: TP:1670
- Measurement SW: DASY52, Version 52.8 (2); SEMCAD X Version 14.6.6 (6824)

Ch21020/Area Scan (81x141x1): Interpolated grid: dx=12mm, dy=12mm
 Maximum value of SAR (interpolated) = 1.37 W/kg

Ch21020/Zoom Scan (7x7x7)/Cube 0: Measurement grid: dx=5mm, dy=5mm, dz=5mm
 Reference Value = 1.678 V/m; Power Drift = 0.04 dB
 Peak SAR (extrapolated) = 2.186 mW/g
SAR(1 g) = 1.060 mW/g; SAR(10 g) = 0.438 mW/g
 Maximum value of SAR (measured) = 1.30 W/kg



Test Laboratory: Sporton International Inc. SAR/HAC Testing Lab

Date: 2013.08.27

#34 WLAN 2.4GHz_802.11b_Back_1cm_Ch11_Battery #1

DUT: 340403-01

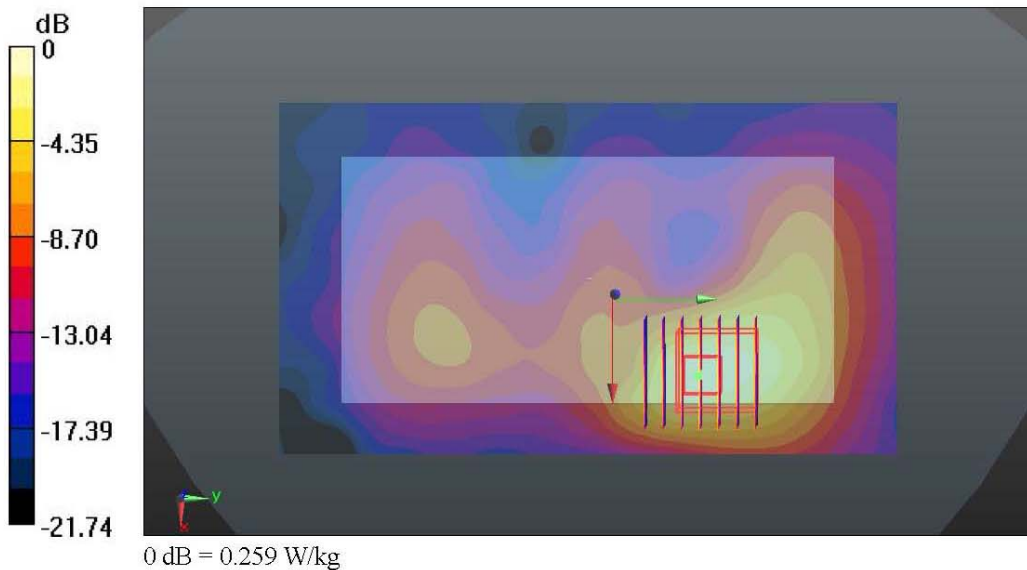
Communication System: WIFI; Frequency: 2462 MHz; Duty Cycle: 1:1.024
 Medium: MSL_2450_130827 Medium parameters used: $f = 2462 \text{ MHz}$; $\sigma = 1.964 \text{ mho/m}$; $\epsilon_r = 51.623$; $\rho = 1000 \text{ kg/m}^3$
 Ambient Temperature : 23.5 °C; Liquid Temperature : 22.6 °C

DASY5 Configuration:

- Probe: EX3DV4 - SN3819; ConvF(7.21, 7.21, 7.21); Calibrated: 26.11.2012;
- Sensor-Surface: 2mm (Mechanical Surface Detection)
- Electronics: DAE4 Sn1303; Calibrated: 22.11.2012
- Phantom: SAM1; Type: QD000P40CD; Serial: TP:1670
- Measurement SW: DASY52, Version 52.8 (2); SEMCAD X Version 14.6.6 (6824)

Ch11/Area Scan (81x141x1): Interpolated grid: $dx=12\text{mm}$, $dy=12\text{mm}$
 Maximum value of SAR (interpolated) = 0.242 W/kg

Ch11/Zoom Scan (7x7x7)/Cube 0: Measurement grid: $dx=5\text{mm}$, $dy=5\text{mm}$, $dz=5\text{mm}$
 Reference Value = 1.437 V/m; Power Drift = -0.04 dB
 Peak SAR (extrapolated) = 0.353 mW/g
SAR(1 g) = 0.171 mW/g; SAR(10 g) = 0.084 mW/g
 Maximum value of SAR (measured) = 0.259 W/kg



Test Laboratory: Sporton International Inc. SAR/HAC Testing Lab

Date: 2013.08.27

#54 WLAN 5.2GHz_802.11a 6Mbps_Back_1cm_Ch48_Battery #1

DUT: 340403-01

Communication System: WIFI; Frequency: 5240 MHz; Duty Cycle: 1:1.153

Medium: MSL_5240_130827 Medium parameters used: $f = 5240$ MHz; $\sigma = 5.339$ mho/m; $\epsilon_r =$

48.474; $\rho = 1000$ kg/m³

Ambient Temperature : 23.5 °C; Liquid Temperature : 22.7 °C

DASY5 Configuration:

- Probe: EX3DV4 - SN3819; ConvF(4.63, 4.63, 4.63); Calibrated: 26.11.2012;
- Sensor-Surface: 1.4mm (Mechanical Surface Detection)
- Electronics: DAE4 Sn1303; Calibrated: 22.11.2012
- Phantom: SAM2; Type: QD000P40CD; Serial: TP:1671
- Measurement SW: DASY52, Version 52.8 (2); SEMCAD X Version 14.6.6 (6824)

Ch48/Area Scan (91x151x1): Interpolated grid: dx=10mm, dy=10mm

Maximum value of SAR (interpolated) = 0.542 W/kg

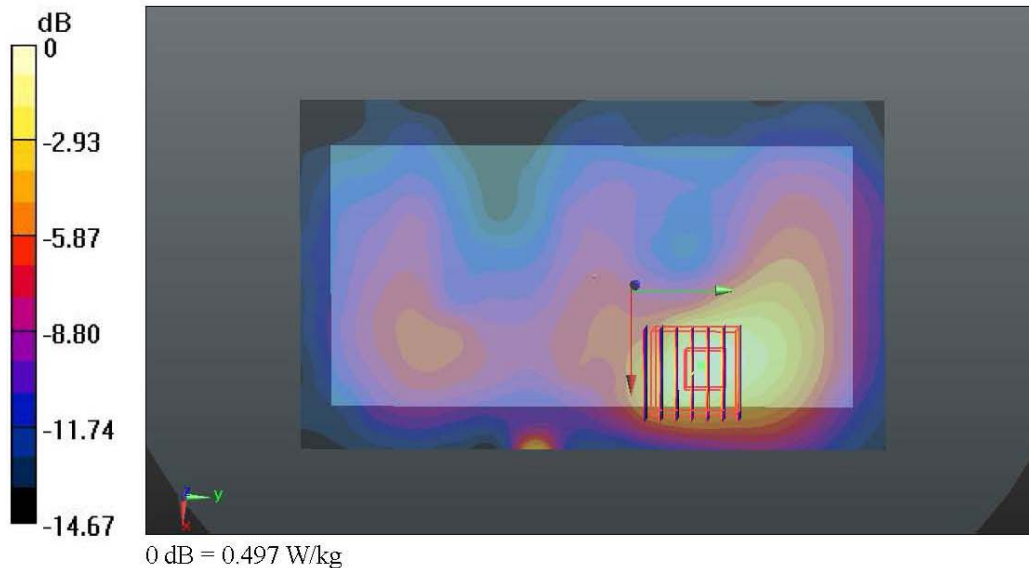
Ch48/Zoom Scan (7x7x7)/Cube 0: Measurement grid: dx=4mm, dy=4mm, dz=1.4mm

Reference Value = 10.928 V/m; Power Drift = -0.11 dB

Peak SAR (extrapolated) = 0.605 mW/g

SAR(1 g) = 0.320 mW/g; SAR(10 g) = 0.119 mW/g

Maximum value of SAR (measured) = 0.497 W/kg



Test Laboratory: Sporton International Inc. SAR/HAC Testing Lab

Date: 2013.09.13

#262 WLAN 5.3GHz_802.11a 6Mbps_Back_1cm_Ch64_Battery #1

DUT: 340403-01

Communication System: WIFI; Frequency: 5320 MHz; Duty Cycle: 1:1

Medium: MSL_5G_130913 Medium parameters used: $f = 5320$ MHz; $\sigma = 5.428$ mho/m; $\epsilon_r = 48.934$;

$\rho = 1000$ kg/m³

Ambient Temperature : 23.4 °C; Liquid Temperature : 22.7 °C

DASY5 Configuration:

- Probe: EX3DV4 - SN3819; ConvF(4.31, 4.31, 4.31); Calibrated: 2012.11.26;
- Sensor-Surface: 1.4mm (Mechanical Surface Detection)
- Electronics: DAE4 Sn1303; Calibrated: 2012.11.22
- Phantom: SAM1; Type: QD000P40CD; Serial: TP:1670
- Measurement SW: DASY52, Version 52.8 (2); SEMCAD X Version 14.6.6 (6824)

Ch64/Area Scan (91x151x1): Interpolated grid: dx=10mm, dy=10mm

Maximum value of SAR (interpolated) = 0.293 W/kg

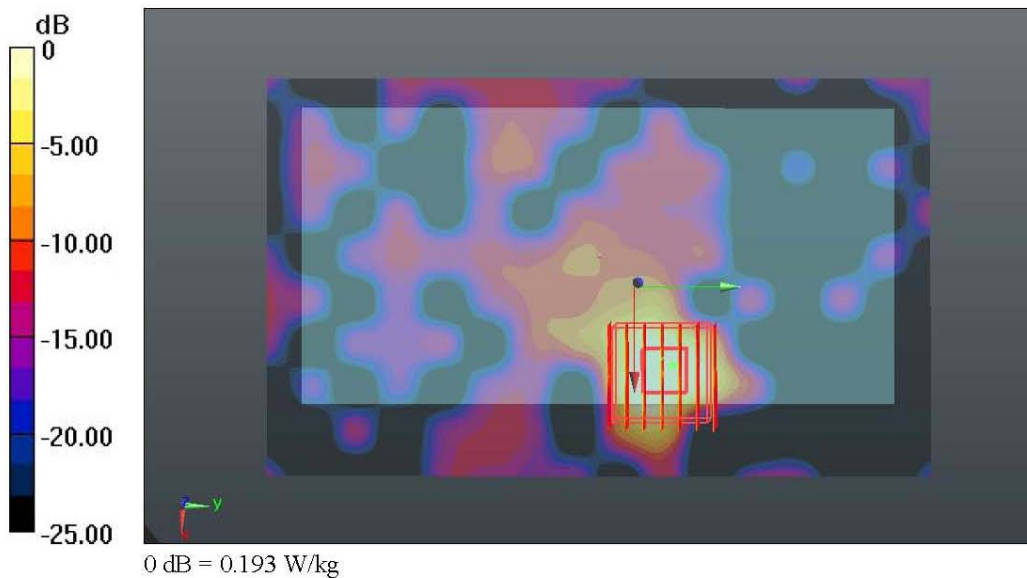
Ch64/Zoom Scan (7x7x7)/Cube 0: Measurement grid: dx=4mm, dy=4mm, dz=1.4mm

Reference Value = 6.826 V/m; Power Drift = -0.10 dB

Peak SAR (extrapolated) = 0.314 mW/g

SAR(1 g) = 0.086 mW/g; SAR(10 g) = 0.032 mW/g

Maximum value of SAR (measured) = 0.193 W/kg



Test Laboratory: Sporton International Inc. SAR/HAC Testing Lab

Date: 2013.09.13

#267 WLAN 5.5GHz_802.11a 6Mbps_Back_1cm_Ch140_Battery #1

DUT: 340403-01

Communication System: WIFI; Frequency: 5700 MHz; Duty Cycle: 1:1.153

Medium: MSL_5G_130913 Medium parameters used: $f = 5700$ MHz; $\sigma = 6.007$ mho/m; $\epsilon_r = 48.217$;

$\rho = 1000$ kg/m³

Ambient Temperature : 23.4 °C; Liquid Temperature : 22.7 °C

DASY5 Configuration:

- Probe: EX3DV4 - SN3819; ConvF(3.86, 3.86, 3.86); Calibrated: 2012.11.26;
- Sensor-Surface: 1.4mm (Mechanical Surface Detection)
- Electronics: DAE4 Sn1303; Calibrated: 2012.11.22
- Phantom: SAM1; Type: QD000P40CD; Serial: TP:1670
- Measurement SW: DASY52, Version 52.8 (2); SEMCAD X Version 14.6.6 (6824)

Ch140/Area Scan (91x151x1): Interpolated grid: dx=10mm, dy=10mm

Maximum value of SAR (interpolated) = 1.07 W/kg

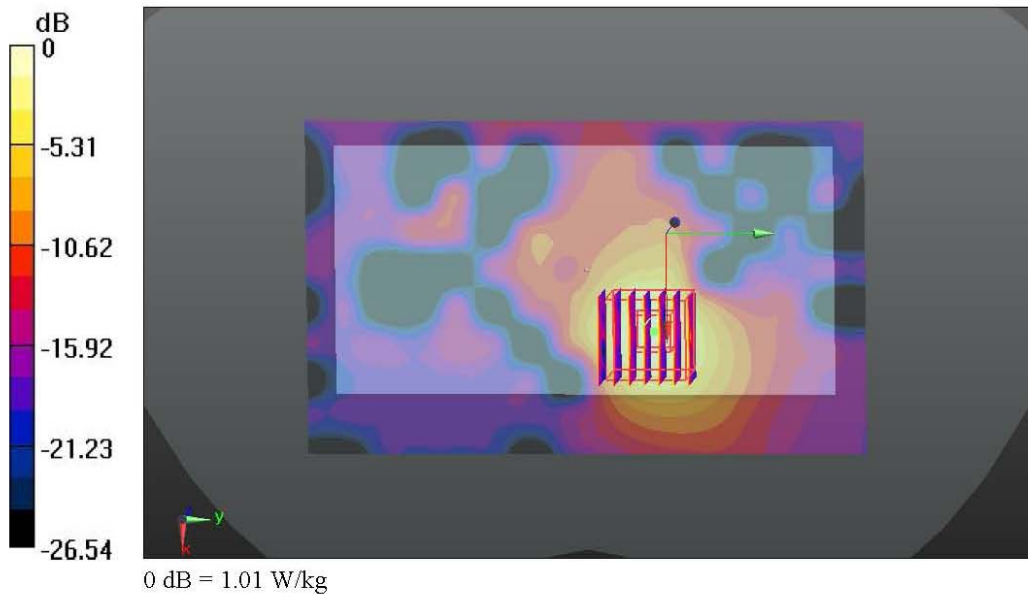
Ch140/Zoom Scan (7x7x7)/Cube 0: Measurement grid: dx=4mm, dy=4mm, dz=1.4mm

Reference Value = 15.532 V/m; Power Drift = -0.08 dB

Peak SAR (extrapolated) = 1.588 mW/g

SAR(1 g) = 0.405 mW/g; SAR(10 g) = 0.142 mW/g

Maximum value of SAR (measured) = 1.01 W/kg



Test Laboratory: Sporton International Inc. SAR/HAC Testing Lab

Date: 2013.08.27

#57 WLAN 5.8GHz_802.11a 6Mbps_Back_1cm_Ch161_Battery #1

DUT: 340403-01

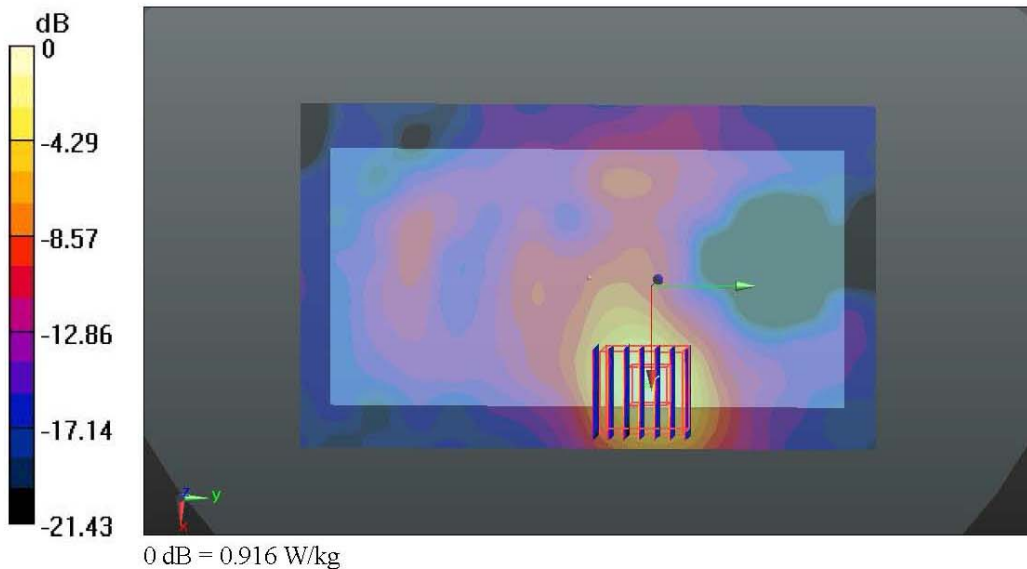
Communication System: WIFI; Frequency: 5805 MHz; Duty Cycle: 1:1.146
 Medium: MSL_5805_130827 Medium parameters used: $f = 5805 \text{ MHz}$; $\sigma = 6.121 \text{ mho/m}$; $\epsilon_r = 47.135$; $\rho = 1000 \text{ kg/m}^3$
 Ambient Temperature : 23.5 °C; Liquid Temperature : 22.8 °C

DASY5 Configuration:

- Probe: EX3DV4 - SN3819; ConvF(4.09, 4.09, 4.09); Calibrated: 26.11.2012;
- Sensor-Surface: 1.4mm (Mechanical Surface Detection)
- Electronics: DAE4 Sn1303; Calibrated: 22.11.2012
- Phantom: SAM2; Type: QD00P40CD; Serial: TP:1671
- Measurement SW: DASY52, Version 52.8 (2); SEMCAD X Version 14.6.6 (6824)

Ch161/Area Scan (91x151x1): Interpolated grid: dx=10mm, dy=10mm
 Maximum value of SAR (interpolated) = 0.949 W/kg

Ch161/Zoom Scan (7x7x7)/Cube 0: Measurement grid: dx=4mm, dy=4mm, dz=1.4mm
 Reference Value = 14.535 V/m; Power Drift = -0.07 dB
 Peak SAR (extrapolated) = 1.563 mW/g
SAR(1 g) = 0.385 mW/g; SAR(10 g) = 0.131 mW/g
 Maximum value of SAR (measured) = 0.916 W/kg



13. Simultaneous Transmission Analysis

| NO. | Simultaneous Transmission Configurations | Portable Handset Exposure positions | | | Note |
|-----|--|-------------------------------------|-----------|---------|-------------------|
| | | Head | Body-worn | Hotspot | |
| 1. | GSM/DTM(voice) + WLAN 2.4GHz | Yes | Yes | | |
| 2. | GSM/DTM(voice) + WLAN 5.3/5.5/5.8GHz | Yes | Yes | | |
| 3. | GSM/DTM(voice) + Bluetooth | Yes | Yes | | |
| 4. | GPRS/EDGE/DTM(data) + WLAN 2.4GHz | | | Yes | 2.4GHz Hotspot |
| 5. | GPRS/EDGE/DTM(data) + WLAN 5.8GHz | | | Yes | WiFi Direct Owner |
| 6. | GPRS/EDGE/DTM(data) + Bluetooth | | | Yes | |
| 7. | LTE(data) + WLAN 2.4GHz | Yes | Yes | Yes | 2.4GHz Hotspot |
| 8. | LTE(data) + WLAN 5.8GHz | Yes | Yes | Yes | WiFi Direct Owner |
| 9. | LTE(data) + WLAN 5.3/5.5GHz | Yes | Yes | | |
| 10. | LTE(data) + Bluetooth | Yes | Yes | Yes | |

Note:

1. WLAN 2.4GHz and Bluetooth share the same antenna, and cannot transmit simultaneously.
2. EUT will choose either WLAN 2.4GHz or WLAN 5GHz according to the network signal condition; therefore, they will not transmit simultaneously.
3. EUT will choose either GSM or LTE according to the network signal condition; therefore, they will not transmit simultaneously.
4. In WLAN 5.8 GHz Band, this device did not support Hotspot mode (AP Router), but supported “wifi direct owner” that this device must use hotspot test procedure perform SAR testing.
5. WWAN and WLAN 5.2GHz band cannot be simultaneous transmission, due the WLAN 5.2GHz band limited used indoor.
6. The Reported SAR summation is calculated based on the same configuration and test position.
7. Per KDB 447498 D01v05r01, simultaneous transmission SAR is compliant if,
 - i) Scalar SAR summation < 1.6W/kg.
 - ii) $SPLSR = (SAR_1 + SAR_2)^{1.5} / (min. \text{ separation distance, mm})$, and the peak separation distance is determined from the square root of $[(x_1-x_2)^2 + (y_1-y_2)^2 + (z_1-z_2)^2]$, where (x_1, y_1, z_1) and (x_2, y_2, z_2) are the coordinates of the extrapolated peak SAR locations in the zoom scan
If $SPLSR \leq 0.04$, simultaneously transmission SAR measurement is not necessary
 - iii) Simultaneously transmission SAR measurement, and the reported multi-band SAR < 1.6W/kg
8. For simultaneous transmission analysis, Bluetooth SAR is estimated per KDB 447498 D01v05r01 based on the formula below.
 - i) $(max. \text{ power of channel, including tune-up tolerance, mW}) / (min. \text{ test separation distance, mm}) \cdot [\sqrt{f(\text{GHz})} / x] \text{ W/kg}$ for test separation distances $\leq 50 \text{ mm}$; where $x = 7.5$ for 1-g SAR, and $x = 18.75$ for 10-g SAR.
 - ii) When the minimum test separation distance is < 5mm, the distance is used 5mm to determine SAR test exclusion.
 - iii) 0.4 W/kg for 1-g SAR and 1.0 W/kg for 10-g SAR, when the test separation distances is > 50 mm.
 - iv) If the test separation distance (antenna-user) is < 5mm, 5mm is used for excluded SAR calculation.

| Bluetooth | | | | |
|-----------------------------|----------------------|-------|---------|-----------|
| Tune-up Maximum power (dBm) | Exposure Position | Head | Hotspot | Body-worn |
| | Test separation (mm) | 0 | 10 | 10 |
| 1 | Estimated SAR (W/kg) | 0.053 | 0.026 | 0.026 |



13.1 Head Exposure Conditions

<WWAN + WLAN 2.4GHz>

| Position | WWAN (PCE) | | | WLAN 2.4GHz (DTS) | | Summed SAR (W/kg) | SPLSR ≤ 0.04 | Case No |
|--------------|------------|---------|------------|-------------------|------------|-------------------|--------------|---------|
| | WWAN Band | Plot No | SAR (W/kg) | Plot No | SAR (W/kg) | | | |
| Right Cheek | GSM1900 | #22 | 0.435 | #38 | 0.125 | 0.56 | | |
| | LTE Band 7 | #231 | 0.104 | #38 | 0.125 | 0.23 | | |
| Right Tilted | GSM1900 | #23 | 0.169 | #39 | 0.042 | 0.21 | | |
| | LTE Band 7 | #232 | 0.039 | #39 | 0.042 | 0.08 | | |
| Left Cheek | GSM1900 | #24 | 0.390 | #40 | 0.068 | 0.46 | | |
| | LTE Band 7 | #233 | 0.102 | #40 | 0.068 | 0.17 | | |
| Left Tilted | GSM1900 | #25 | 0.182 | #41 | 0.023 | 0.21 | | |
| | LTE Band 7 | #234 | 0.028 | #41 | 0.023 | 0.05 | | |

<WWAN + WLAN 5.8GHz>

| Position | WWAN (PCE) | | | WLAN 5.8GHz (DTS) | | Summed SAR (W/kg) | SPLSR ≤ 0.04 | Case No |
|--------------|------------|---------|------------|-------------------|------------|-------------------|--------------|---------|
| | WWAN Band | Plot No | SAR (W/kg) | Plot No | SAR (W/kg) | | | |
| Right Cheek | GSM1900 | #22 | 0.435 | #48 | 0.338 | 0.77 | | |
| | LTE Band 7 | #231 | 0.104 | #48 | 0.338 | 0.44 | | |
| Right Tilted | GSM1900 | #23 | 0.169 | #49 | 0.085 | 0.25 | | |
| | LTE Band 7 | #232 | 0.039 | #49 | 0.085 | 0.12 | | |
| Left Cheek | GSM1900 | #24 | 0.390 | #50 | 0.226 | 0.62 | | |
| | LTE Band 7 | #233 | 0.102 | #50 | 0.226 | 0.33 | | |
| Left Tilted | GSM1900 | #25 | 0.182 | #51 | 0.071 | 0.25 | | |
| | LTE Band 7 | #234 | 0.028 | #51 | 0.071 | 0.10 | | |



<WWAN + WLAN 5.3/5.5GHz>

| Position | WWAN (PCE) | | | WLAN 5.3/5.5GHz (NII) | | Summed SAR (W/kg) | SPLSR ≤ 0.04 | Case No |
|--------------|------------|---------|------------|-----------------------|------------|-------------------|--------------|---------|
| | WWAN Band | Plot No | SAR (W/kg) | Plot No | SAR (W/kg) | | | |
| Right Cheek | GSM1900 | #22 | 0.435 | #251 | 0.371 | 0.81 | | |
| | LTE Band 7 | #231 | 0.104 | #251 | 0.371 | 0.48 | | |
| Right Tilted | GSM1900 | #23 | 0.169 | #252 | 0.058 | 0.23 | | |
| | LTE Band 7 | #232 | 0.039 | #252 | 0.058 | 0.10 | | |
| Left Cheek | GSM1900 | #24 | 0.390 | #253 | 0.114 | 0.50 | | |
| | LTE Band 7 | #233 | 0.102 | #253 | 0.114 | 0.22 | | |
| Left Tilted | GSM1900 | #25 | 0.182 | #254 | 0.046 | 0.23 | | |
| | LTE Band 7 | #234 | 0.028 | #254 | 0.046 | 0.07 | | |

<WWAN + Bluetooth>

| Position | WWAN (PCE) | | | Bluetooth (DSS) | Summed SAR (W/kg) | SPLSR ≤ 0.04 | Case No |
|--------------|------------|---------|------------|----------------------|-------------------|--------------|---------|
| | WWAN Band | Plot No | SAR (W/kg) | Estimated SAR (W/kg) | | | |
| Right Cheek | GSM1900 | #22 | 0.435 | 0.053 | 0.49 | | |
| | LTE Band 7 | #231 | 0.104 | 0.053 | 0.16 | | |
| Right Tilted | GSM1900 | #23 | 0.169 | 0.053 | 0.22 | | |
| | LTE Band 7 | #232 | 0.039 | 0.053 | 0.09 | | |
| Left Cheek | GSM1900 | #24 | 0.390 | 0.053 | 0.44 | | |
| | LTE Band 7 | #233 | 0.102 | 0.053 | 0.16 | | |
| Left Tilted | GSM1900 | #25 | 0.182 | 0.053 | 0.24 | | |
| | LTE Band 7 | #234 | 0.028 | 0.053 | 0.08 | | |



13.2 Hotspot Exposure Conditions

<WWAN + WLAN 2.4GHz>

| Position | WWAN (PCE) | | | WLAN 2.4GHz (DTS) | | Summed SAR (W/kg) | SPLSR ≤ 0.04 | Case No |
|-------------|------------|---------|------------|-------------------|------------|-------------------|--------------|---------|
| | WWAN Band | Plot No | SAR (W/kg) | Plot No | SAR (W/kg) | | | |
| Front | GSM1900 | #27 | 0.418 | #33 | 0.037 | 0.46 | | |
| | LTE Band 7 | #201 | 0.350 | #33 | 0.037 | 0.39 | | |
| Back | GSM1900 | #28 | 0.673 | #34 | 0.185 | 0.86 | | |
| | LTE Band 7 | #202 | 1.307 | #34 | 0.185 | 1.49 | | |
| Left Side | GSM1900 | #29 | 0.179 | #35 | 0.164 | 0.34 | | |
| | LTE Band 7 | #203 | 0.057 | #35 | 0.164 | 0.22 | | |
| Right Side | GSM1900 | #30 | 0.206 | | | 0.21 | | |
| | LTE Band 7 | #204 | 0.084 | | | 0.08 | | |
| Bottom Side | GSM1900 | #31 | 0.559 | | | 0.56 | | |
| | LTE Band 7 | #208 | 0.987 | | | 0.99 | | |

<WWAN + WLAN 5.8GHz>

| Position | WWAN (PCE) | | | WLAN 5.8GHz (DTS) | | Summed SAR (W/kg) | SPLSR ≤ 0.04 | Case No |
|-------------|------------|---------|------------|-------------------|------------|-------------------|--------------|---------|
| | WWAN Band | Plot No | SAR (W/kg) | Plot No | SAR (W/kg) | | | |
| Front | GSM1900 | #27 | 0.418 | #56 | 0.068 | 0.49 | | |
| | LTE Band 7 | #201 | 0.350 | #56 | 0.068 | 0.42 | | |
| Back | GSM1900 | #28 | 0.673 | #57 | 0.438 | 1.11 | | |
| | LTE Band 7 | #202 | 1.307 | #57 | 0.438 | 1.75 | 0.03 | #1 |
| Left Side | GSM1900 | #29 | 0.179 | #59 | 0.425 | 0.60 | | |
| | LTE Band 7 | #203 | 0.057 | #59 | 0.425 | 0.48 | | |
| Right Side | GSM1900 | #30 | 0.206 | | | 0.21 | | |
| | LTE Band 7 | #204 | 0.084 | | | 0.08 | | |
| Bottom Side | GSM1900 | #31 | 0.559 | | | 0.56 | | |
| | LTE Band 7 | #208 | 0.987 | | | 0.99 | | |

<WWAN + Bluetooth>

| Position | WWAN (PCE) | | | Bluetooth (DSS) | Summed SAR (W/kg) | SPLSR ≤ 0.04 | Case No |
|-------------|------------|---------|------------|----------------------|-------------------|--------------|---------|
| | WWAN Band | Plot No | SAR (W/kg) | Estimated SAR (W/kg) | | | |
| Front | GSM1900 | #27 | 0.418 | 0.026 | 0.44 | | |
| | LTE Band 7 | #201 | 0.350 | 0.026 | 0.38 | | |
| Back | GSM1900 | #28 | 0.673 | 0.026 | 0.70 | | |
| | LTE Band 7 | #202 | 1.307 | 0.026 | 1.33 | | |
| Left Side | GSM1900 | #29 | 0.179 | 0.026 | 0.21 | | |
| | LTE Band 7 | #203 | 0.057 | 0.026 | 0.08 | | |
| Right Side | GSM1900 | #30 | 0.206 | | 0.21 | | |
| | LTE Band 7 | #204 | 0.084 | | 0.08 | | |
| Bottom Side | GSM1900 | #31 | 0.559 | | 0.56 | | |
| | LTE Band 7 | #208 | 0.987 | | 0.99 | | |

13.3 Body-Worn Exposure Conditions

<WWAN + WLAN 2.4GHz>

| Position | WWAN (PCE) | | | WLAN 2.4GHz (DTS) | | Summed SAR (W/kg) | SPLSR ≤ 0.04 | Case No |
|----------|------------|---------|------------|-------------------|------------|-------------------|--------------|---------|
| | WWAN Band | Plot No | SAR (W/kg) | Plot No | SAR (W/kg) | | | |
| Front | GSM1900 | #27 | 0.418 | #33 | 0.037 | 0.46 | | |
| | LTE Band 7 | #201 | 0.350 | #33 | 0.037 | 0.39 | | |
| Back | GSM1900 | #28 | 0.673 | #34 | 0.185 | 0.86 | | |
| | LTE Band 7 | #202 | 1.307 | #34 | 0.185 | 1.49 | | |

<WWAN + WLAN 5.8GHz>

| Position | WWAN (PCE) | | | WLAN 5.8GHz (DTS) | | Summed SAR (W/kg) | SPLSR ≤ 0.04 | Case No |
|----------|------------|---------|------------|-------------------|------------|-------------------|--------------|---------|
| | WWAN Band | Plot No | SAR (W/kg) | Plot No | SAR (W/kg) | | | |
| Front | GSM1900 | #27 | 0.418 | #56 | 0.068 | 0.49 | | |
| | LTE Band 7 | #201 | 0.350 | #56 | 0.068 | 0.42 | | |
| Back | GSM1900 | #28 | 0.673 | #57 | 0.438 | 1.11 | | |
| | LTE Band 7 | #202 | 1.307 | #57 | 0.438 | 1.75 | 0.03 | #1 |

<WWAN + WLAN 5.3/5.5GHz>

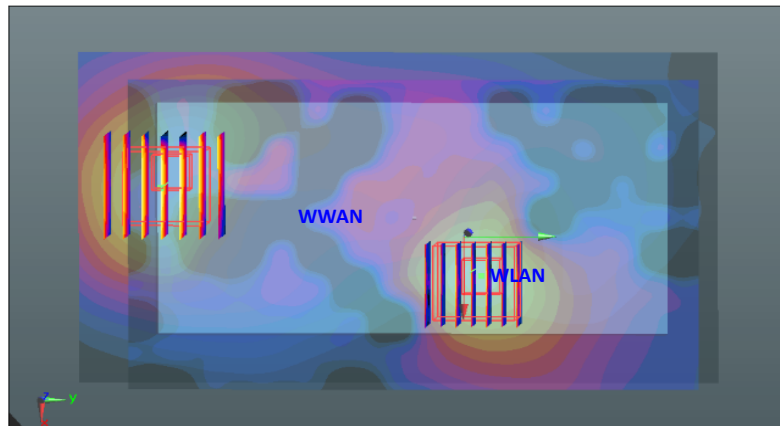
| Position | WWAN (PCE) | | | WLAN 5.3/5.5GHz (NII) | | Summed SAR (W/kg) | SPLSR ≤ 0.04 | Case No |
|----------|------------|---------|------------|-----------------------|------------|-------------------|--------------|---------|
| | WWAN Band | Plot No | SAR (W/kg) | Plot No | SAR (W/kg) | | | |
| Front | GSM1900 | #27 | 0.418 | #266 | 0.055 | 0.47 | | |
| | LTE Band 7 | #201 | 0.350 | #266 | 0.055 | 0.41 | | |
| Back | GSM1900 | #28 | 0.673 | #267 | 0.436 | 1.11 | | |
| | LTE Band 7 | #202 | 1.307 | #267 | 0.436 | 1.74 | 0.03 | #2 |

<WWAN + Bluetooth>

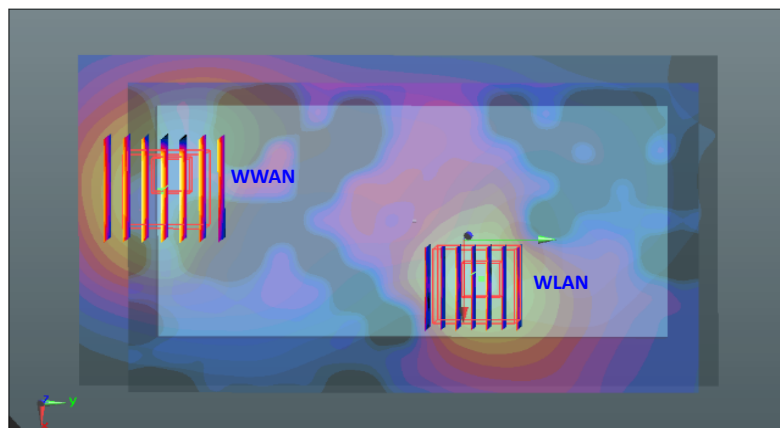
| Position | WWAN (PCE) | | | Bluetooth (DSS) | Summed SAR (W/kg) | SPLSR ≤ 0.04 | Case No |
|----------|------------|---------|------------|----------------------|-------------------|--------------|---------|
| | WWAN Band | Plot No | SAR (W/kg) | Estimated SAR (W/kg) | | | |
| Front | GSM1900 | #27 | 0.418 | 0.026 | 0.44 | | |
| | LTE Band 7 | #201 | 0.350 | 0.026 | 0.38 | | |
| Back | GSM1900 | #28 | 0.673 | 0.026 | 0.70 | | |
| | LTE Band 7 | #202 | 1.307 | 0.026 | 1.33 | | |

13.4 SPLSR Evaluation and Analysis

| Case No #1 | Position | Band | SAR (W/kg) | Gap (cm) | SAR peak location (m) | | | 3D distance (mm) | Pair SAR sum (W/kg) | SPLSR | Simultaneous SAR |
|------------|----------|-------------|------------|----------|-----------------------|---------|--------|------------------|---------------------|-------|------------------|
| | | | | | X | Y | Z | | | | |
| #202 | Back | LTE Band 7 | 1.307 | 1 | -0.0254 | -0.0664 | -0.205 | 90.6 | 1.75 | 0.03 | Not required |
| #57 | | WLAN 5.8GHz | 0.438 | 1 | 0.01 | 0.017 | -0.206 | | | | |



| Case No #2 | Position | Band | SAR (W/kg) | Gap (cm) | SAR peak location (m) | | | 3D distance (mm) | Pair SAR sum (W/kg) | SPLSR | Simultaneous SAR |
|------------|----------|-------------|------------|----------|-----------------------|---------|--------|------------------|---------------------|-------|------------------|
| | | | | | X | Y | Z | | | | |
| #202 | Back | LTE Band 7 | 1.307 | 1 | -0.0254 | -0.0664 | -0.205 | 85.0 | 1.74 | 0.03 | Not required |
| #267 | | WLAN 5.5GHz | 0.436 | 1 | -0.001 | 0.015 | -0.206 | | | | |



Remark:

1. Per KDB 447498 D01v05r01, SAR test exclusion is determined by the SAR to peak location separation ratio, SPLSR.
2. For SPLSR calculation Bluetooth SAR peak position is estimated using WLAN 2.4GHz peak location, due to the WLAN and Bluetooth shares the same RF trace to the same antenna, and the operational frequency range is the same.
3. If $SPLSR \leq 0.04$, simultaneously transmission SAR measurement is not necessary.

Test Engineer : Luke Lu

14. Uncertainty Assessment

The component of uncertainty may generally be categorized according to the methods used to evaluate them. The evaluation of uncertainty by the statistical analysis of a series of observations is termed a Type A evaluation of uncertainty. The evaluation of uncertainty by means other than the statistical analysis of a series of observation is termed a Type B evaluation of uncertainty. Each component of uncertainty, however evaluated, is represented by an estimated standard deviation, termed standard uncertainty, which is determined by the positive square root of the estimated variance.

A Type A evaluation of standard uncertainty may be based on any valid statistical method for treating data. This includes calculating the standard deviation of the mean of a series of independent observations; using the method of least squares to fit a curve to the data in order to estimate the parameter of the curve and their standard deviations; or carrying out an analysis of variance in order to identify and quantify random effects in certain kinds of measurement.

A type B evaluation of standard uncertainty is typically based on scientific judgment using all of the relevant information available. These may include previous measurement data, experience, and knowledge of the behavior and properties of relevant materials and instruments, manufacture’s specification, data provided in calibration reports and uncertainties assigned to reference data taken from handbooks. Broadly speaking, the uncertainty is either obtained from an outdoor source or obtained from an assumed distribution, such as the normal distribution, rectangular or triangular distributions indicated in Table 14.1

| Uncertainty Distributions | Normal | Rectangular | Triangular | U-Shape |
|------------------------------------|----------------------------|---------------|---------------|---------------|
| Multi-plying Factor ^(a) | 1/ κ ^(b) | 1/ $\sqrt{3}$ | 1/ $\sqrt{6}$ | 1/ $\sqrt{2}$ |

(a) standard uncertainty is determined as the product of the multiplying factor and the estimated range of variations in the measured quantity

(b) κ is the coverage factor

Table 14.1. Standard Uncertainty for Assumed Distribution

The combined standard uncertainty of the measurement result represents the estimated standard deviation of the result. It is obtained by combining the individual standard uncertainties of both Type A and Type B evaluation using the usual “root-sum-squares” (RSS) methods of combining standard deviations by taking the positive square root of the estimated variances.

Expanded uncertainty is a measure of uncertainty that defines an interval about the measurement result within which the measured value is confidently believed to lie. It is obtained by multiplying the combined standard uncertainty by a coverage factor. Typically, the coverage factor ranges from 2 to 3. Using a coverage factor allows the true value of a measured quantity to be specified with a defined probability within the specified uncertainty range. For purpose of this document, a coverage factor two is used, which corresponds to confidence interval of about 95 %. The DASY uncertainty Budget is shown in the following tables.



| Error Description | Uncertainty Value (±%) | Probability Distribution | Divisor | Ci (1g) | Ci (10g) | Standard Uncertainty (1g) | Standard Uncertainty (10g) |
|--------------------------------------|------------------------|--------------------------|---------|---------|----------|---------------------------|----------------------------|
| Measurement System | | | | | | | |
| Probe Calibration | 6.0 | Normal | 1 | 1 | 1 | ± 6.0 % | ± 6.0 % |
| Axial Isotropy | 4.7 | Rectangular | √3 | 0.7 | 0.7 | ± 1.9 % | ± 1.9 % |
| Hemispherical Isotropy | 9.6 | Rectangular | √3 | 0.7 | 0.7 | ± 3.9 % | ± 3.9 % |
| Boundary Effects | 1.0 | Rectangular | √3 | 1 | 1 | ± 0.6 % | ± 0.6 % |
| Linearity | 4.7 | Rectangular | √3 | 1 | 1 | ± 2.7 % | ± 2.7 % |
| System Detection Limits | 1.0 | Rectangular | √3 | 1 | 1 | ± 0.6 % | ± 0.6 % |
| Readout Electronics | 0.3 | Normal | 1 | 1 | 1 | ± 0.3 % | ± 0.3 % |
| Response Time | 0.8 | Rectangular | √3 | 1 | 1 | ± 0.5 % | ± 0.5 % |
| Integration Time | 2.6 | Rectangular | √3 | 1 | 1 | ± 1.5 % | ± 1.5 % |
| RF Ambient Noise | 3.0 | Rectangular | √3 | 1 | 1 | ± 1.7 % | ± 1.7 % |
| RF Ambient Reflections | 3.0 | Rectangular | √3 | 1 | 1 | ± 1.7 % | ± 1.7 % |
| Probe Positioner | 0.4 | Rectangular | √3 | 1 | 1 | ± 0.2 % | ± 0.2 % |
| Probe Positioning | 2.9 | Rectangular | √3 | 1 | 1 | ± 1.7 % | ± 1.7 % |
| Max. SAR Eval. | 1.0 | Rectangular | √3 | 1 | 1 | ± 0.6 % | ± 0.6 % |
| Test Sample Related | | | | | | | |
| Device Positioning | 2.9 | Normal | 1 | 1 | 1 | ± 2.9 % | ± 2.9 % |
| Device Holder | 3.6 | Normal | 1 | 1 | 1 | ± 3.6 % | ± 3.6 % |
| Power Drift | 5.0 | Rectangular | √3 | 1 | 1 | ± 2.9 % | ± 2.9 % |
| Phantom and Setup | | | | | | | |
| Phantom Uncertainty | 4.0 | Rectangular | √3 | 1 | 1 | ± 2.3 % | ± 2.3 % |
| Liquid Conductivity (Target) | 5.0 | Rectangular | √3 | 0.64 | 0.43 | ± 1.8 % | ± 1.2 % |
| Liquid Conductivity (Meas.) | 2.5 | Normal | 1 | 0.64 | 0.43 | ± 1.6 % | ± 1.1 % |
| Liquid Permittivity (Target) | 5.0 | Rectangular | √3 | 0.6 | 0.49 | ± 1.7 % | ± 1.4 % |
| Liquid Permittivity (Meas.) | 2.5 | Normal | 1 | 0.6 | 0.49 | ± 1.5 % | ± 1.2 % |
| Combined Standard Uncertainty | | | | | | ± 11.0 % | ± 10.8 % |
| Coverage Factor for 95 % | | | | | | K=2 | |
| Expanded Uncertainty | | | | | | ± 22.0 % | ± 21.5 % |

Table 14.2. Uncertainty Budget for frequency range 300 MHz to 3 GHz



| Error Description | Uncertainty Value (±%) | Probability Distribution | Divisor | Ci (1g) | Ci (10g) | Standard Uncertainty (1g) | Standard Uncertainty (10g) |
|--------------------------------------|------------------------|--------------------------|---------|---------|----------|---------------------------|----------------------------|
| Measurement System | | | | | | | |
| Probe Calibration | 6.55 | Normal | 1 | 1 | 1 | ± 6.55 % | ± 6.55 % |
| Axial Isotropy | 4.7 | Rectangular | √3 | 0.7 | 0.7 | ± 1.9 % | ± 1.9 % |
| Hemispherical Isotropy | 9.6 | Rectangular | √3 | 0.7 | 0.7 | ± 3.9 % | ± 3.9 % |
| Boundary Effects | 2.0 | Rectangular | √3 | 1 | 1 | ± 1.2 % | ± 1.2 % |
| Linearity | 4.7 | Rectangular | √3 | 1 | 1 | ± 2.7 % | ± 2.7 % |
| System Detection Limits | 1.0 | Rectangular | √3 | 1 | 1 | ± 0.6 % | ± 0.6 % |
| Readout Electronics | 0.3 | Normal | 1 | 1 | 1 | ± 0.3 % | ± 0.3 % |
| Response Time | 0.8 | Rectangular | √3 | 1 | 1 | ± 0.5 % | ± 0.5 % |
| Integration Time | 2.6 | Rectangular | √3 | 1 | 1 | ± 1.5 % | ± 1.5 % |
| RF Ambient Noise | 3.0 | Rectangular | √3 | 1 | 1 | ± 1.7 % | ± 1.7 % |
| RF Ambient Reflections | 3.0 | Rectangular | √3 | 1 | 1 | ± 1.7 % | ± 1.7 % |
| Probe Positioner | 0.8 | Rectangular | √3 | 1 | 1 | ± 0.5 % | ± 0.5 % |
| Probe Positioning | 9.9 | Rectangular | √3 | 1 | 1 | ± 5.7 % | ± 5.7 % |
| Max. SAR Eval. | 4.0 | Rectangular | √3 | 1 | 1 | ± 2.3 % | ± 2.3 % |
| Test Sample Related | | | | | | | |
| Device Positioning | 2.9 | Normal | 1 | 1 | 1 | ± 2.9 % | ± 2.9 % |
| Device Holder | 3.6 | Normal | 1 | 1 | 1 | ± 3.6 % | ± 3.6 % |
| Power Drift | 5.0 | Rectangular | √3 | 1 | 1 | ± 2.9 % | ± 2.9 % |
| Phantom and Setup | | | | | | | |
| Phantom Uncertainty | 4.0 | Rectangular | √3 | 1 | 1 | ± 2.3 % | ± 2.3 % |
| Liquid Conductivity (Target) | 5.0 | Rectangular | √3 | 0.64 | 0.43 | ± 1.8 % | ± 1.2 % |
| Liquid Conductivity (Meas.) | 2.5 | Normal | 1 | 0.64 | 0.43 | ± 1.6 % | ± 1.1 % |
| Liquid Permittivity (Target) | 5.0 | Rectangular | √3 | 0.6 | 0.49 | ± 1.7 % | ± 1.4 % |
| Liquid Permittivity (Meas.) | 2.5 | Normal | 1 | 0.6 | 0.49 | ± 1.5 % | ± 1.2 % |
| Combined Standard Uncertainty | | | | | | ± 12.8 % | ± 12.6 % |
| Coverage Factor for 95 % | | | | | | K=2 | |
| Expanded Uncertainty | | | | | | ± 25.6 % | ± 25.2 % |

Table 14.3. Uncertainty Budget for frequency range 3 GHz to 6 GHz



15. References

- [1] FCC 47 CFR Part 2 “Frequency Allocations and Radio Treaty Matters; General Rules and Regulations”
- [2] ANSI/IEEE Std. C95.1-1992, “IEEE Standard for Safety Levels with Respect to Human Exposure to Radio Frequency Electromagnetic Fields, 3 kHz to 300 GHz”, September 1992
- [3] IEEE Std. 1528-2003, “Recommended Practice for Determining the Peak Spatial-Average Specific Absorption Rate (SAR) in the Human Head from Wireless Communications Devices: Measurement Techniques”, December 2003
- [4] SPEAG DASY System Handbook
- [5] FCC KDB 248227 D01 v01r02, “SAR Measurement Procedures for 802.11 a/b/g Transmitters”, May 2007
- [6] FCC KDB 447498 D01 v05r01, “Mobile and Portable Device RF Exposure Procedures and Equipment Authorization Policies”, May 2013
- [7] FCC KDB 648474 D04 v01r01, “SAR Evaluation Considerations for Wireless Handsets”, May 2013
- [8] FCC KDB 941225 D03 v01, “Recommended SAR Test Reduction Procedures for GSM / GPRS / EDGE”, December 2008
- [9] FCC KDB 941225 D04 v01, “Evaluating SAR for GSM/(E)GPRS Dual Transfer Mode”, January 2010
- [10] FCC KDB 941225 D05 v02r02, “SAR Evaluation Considerations for LTE Devices”, May 2013
- [11] FCC KDB 941225 D06 v01r01, "SAR Evaluation Procedures for Portable Devices with Wireless Router Capabilities", May 2013
- [12] FCC KDB 865664 D01 v01r01, "SAR Measurement Requirements for 100 MHz to 6 GHz", May 2013.
- [13] FCC KDB 865664 D02 v01r01, “RF Exposure Compliance Reporting and Documentation Considerations”, May 2013



Appendix A. Plots of System Performance Check

The plots are shown as follows.

System Check_Head_1900MHz_130816

DUT: D1900V2 - SN: 5d118

Communication System: CW; Frequency: 1900 MHz; Duty Cycle: 1:1

Medium: HSL_1900_130816 Medium parameters used: $f = 1900$ MHz; $\sigma = 1.427$ mho/m; $\epsilon_r =$

41.191; $\rho = 1000$ kg/m³

Ambient Temperature : 23.5 °C ; Liquid Temperature : 22.6 °C

DASY5 Configuration:

- Probe: EX3DV4 - SN3819; ConvF(7.84, 7.84, 7.84); Calibrated: 2012.11.26;
- Sensor-Surface: 2mm (Mechanical Surface Detection)
- Electronics: DAE4 Sn1303; Calibrated: 2012.11.12
- Phantom: SAM2; Type: QD000P40CD; Serial: TP:1671
- Measurement SW: DASY52, Version 52.8 (2); SEMCAD X Version 14.6.6 (6824)

Pin=250mW/Area Scan (61x61x1): Interpolated grid: dx=15mm, dy=15mm

Maximum value of SAR (interpolated) = 15.0 W/kg

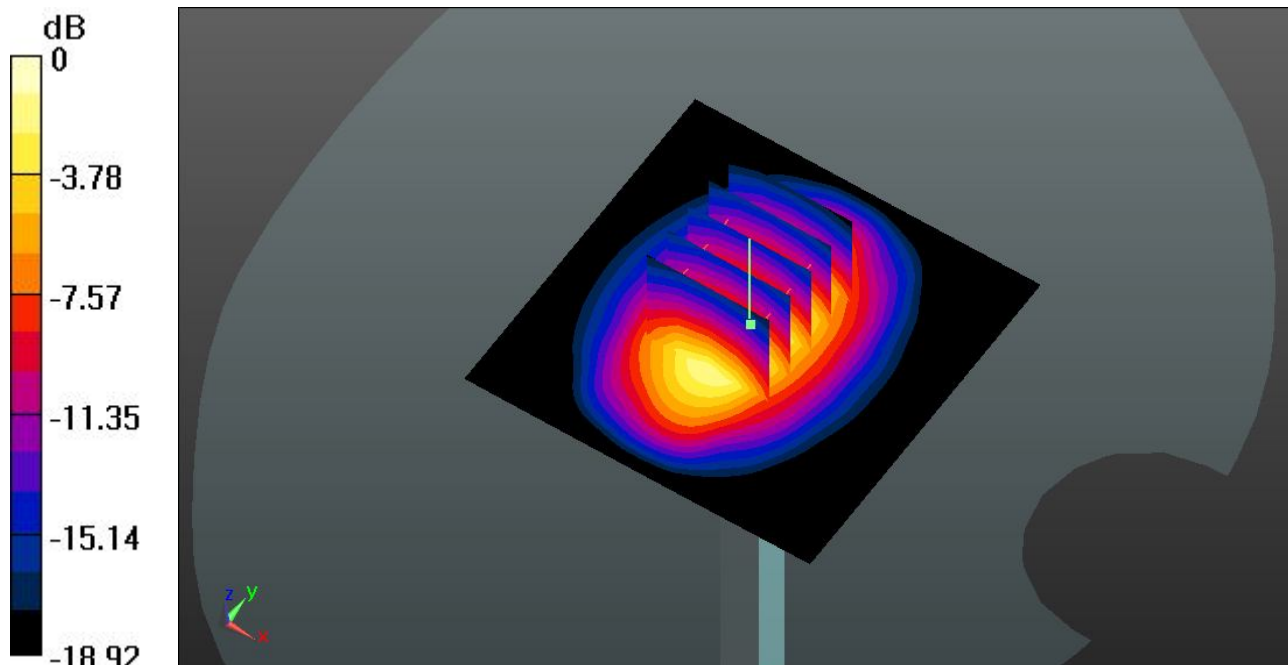
Pin=250mW/Zoom Scan (5x5x7)/Cube 0: Measurement grid: dx=8mm, dy=8mm, dz=5mm

Reference Value = 103.1 V/m; Power Drift = 0.02 dB

Peak SAR (extrapolated) = 19.458 mW/g

SAR(1 g) = 10.4 mW/g; SAR(10 g) = 5.34 mW/g

Maximum value of SAR (measured) = 15.1 W/kg



0 dB = 15.1 W/kg

System Check_Head_2450MHz_130827

DUT: D2450V2 - SN: 840

Communication System: CW; Frequency: 2450 MHz; Duty Cycle: 1:1

Medium: HSL_2450_130827 Medium parameters used: $f = 2450$ MHz; $\sigma = 1.857$ mho/m; $\epsilon_r = 37.67$;

$\rho = 1000$ kg/m³

Ambient Temperature : 23.4 °C ; Liquid Temperature : 22.7 °C

DASY5 Configuration:

- Probe: EX3DV4 - SN3819; ConvF(6.99, 6.99, 6.99); Calibrated: 2012.11.26;
- Sensor-Surface: 2mm (Mechanical Surface Detection)
- Electronics: DAE4 Sn1303; Calibrated: 2012.11.12
- Phantom: SAM2; Type: QD000P40CD; Serial: TP:1671
- Measurement SW: DASY52, Version 52.8 (2); SEMCAD X Version 14.6.6 (6824)

Pin=250mW/Area Scan (81x81x1): Interpolated grid: dx=12mm, dy=12mm

Maximum value of SAR (interpolated) = 19.8 W/kg

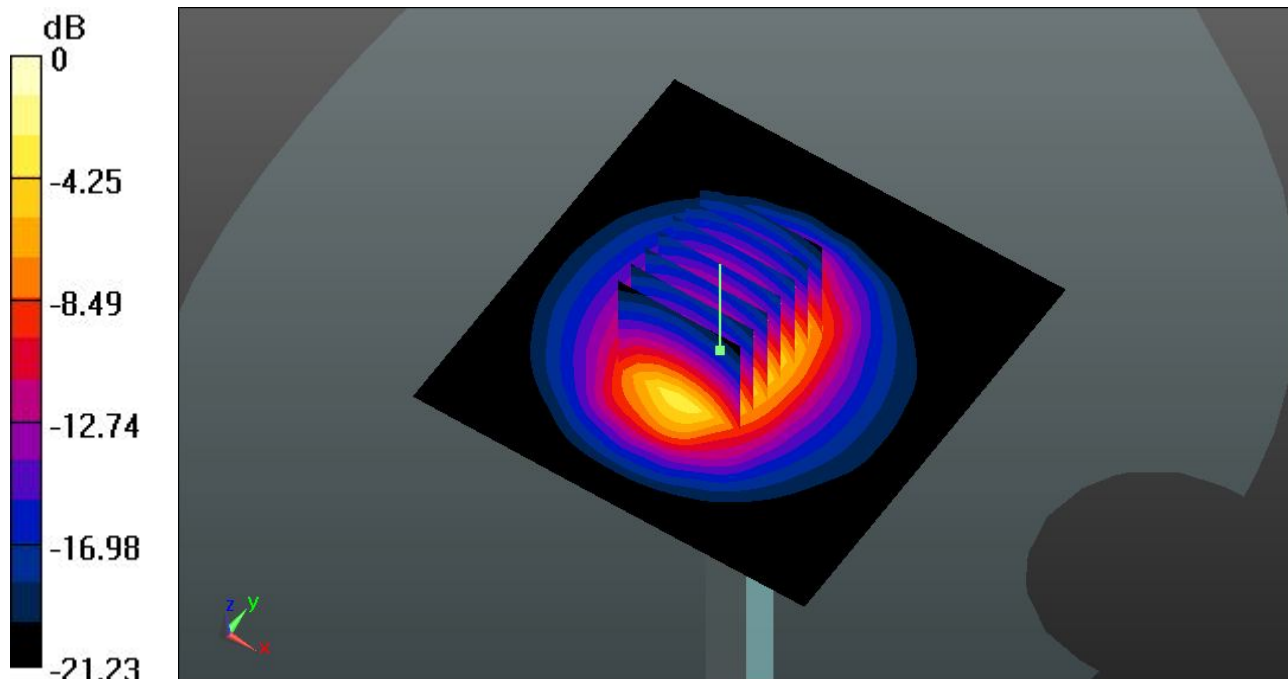
Pin=250mW/Zoom Scan (7x7x7)/Cube 0: Measurement grid: dx=5mm, dy=5mm, dz=5mm

Reference Value = 87.980 V/m; Power Drift = 0.00 dB

Peak SAR (extrapolated) = 26.536 mW/g

SAR(1 g) = 12.9 mW/g; SAR(10 g) = 5.98 mW/g

Maximum value of SAR (measured) = 19.7 W/kg



0 dB = 19.7 W/kg

System Check_Head_2600MHz_130907

DUT: D2600V2 - SN: 1061

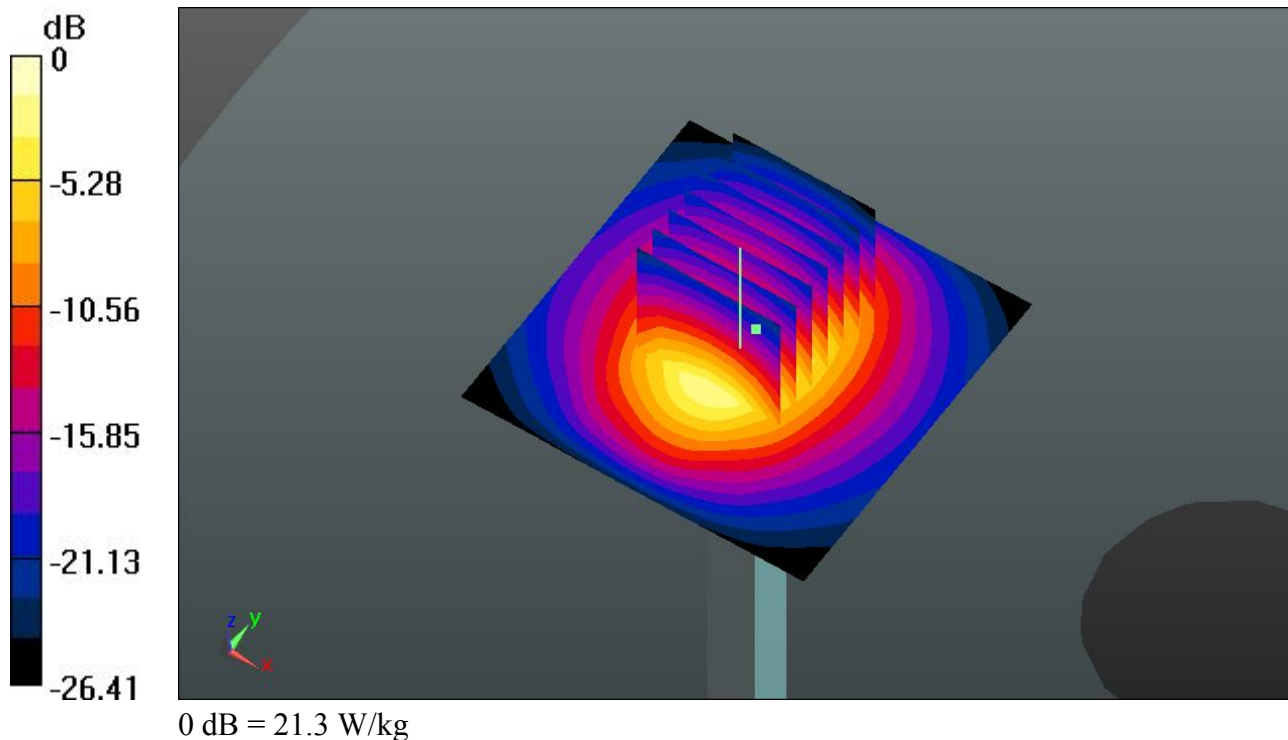
Communication System: CW; Frequency: 2600 MHz; Duty Cycle: 1:1
 Medium: HSL_2600_130907 Medium parameters used: $f = 2600$ MHz; $\sigma = 1.974$ mho/m; $\epsilon_r = 38.204$; $\rho = 1000$ kg/m³
 Ambient Temperature : 23.4 °C ; Liquid Temperature : 22.7 °C

DASY5 Configuration:

- Probe: EX3DV4 - SN3819; ConvF(6.76, 6.76, 6.76); Calibrated: 2012.11.26;
- Sensor-Surface: 2mm (Mechanical Surface Detection)
- Electronics: DAE4 Sn1303; Calibrated: 2012.11.22
- Phantom: SAM2; Type: QD000P40CD; Serial: TP:1671
- Measurement SW: DASY52, Version 52.8 (2); SEMCAD X Version 14.6.6 (6824)

Pin=250mW/Area Scan (61x61x1): Interpolated grid: dx=12mm, dy=12mm
 Maximum value of SAR (interpolated) = 23.0 W/kg

Pin=250mW/Zoom Scan (7x7x7)/Cube 0: Measurement grid: dx=5mm, dy=5mm, dz=5mm
 Reference Value = 106.6 V/m; Power Drift = 0.00 dB
 Peak SAR (extrapolated) = 30.870 mW/g
SAR(1 g) = 13.6 mW/g; SAR(10 g) = 5.97 mW/g
 Maximum value of SAR (measured) = 21.3 W/kg



System Check_Head_5200MHz_130827

DUT: D5GHzV2 - SN: 1006

Communication System: CW; Frequency: 5200 MHz; Duty Cycle: 1:1

Medium: HSL_5G_130827 Medium parameters used: $f = 5200 \text{ MHz}$; $\sigma = 4.696 \text{ mho/m}$; $\epsilon_r =$

37.048 ; $\rho = 1000 \text{ kg/m}^3$

Ambient Temperature : $23.5 \text{ }^\circ\text{C}$; Liquid Temperature : $22.5 \text{ }^\circ\text{C}$

DASY5 Configuration:

- Probe: EX3DV4 - SN3819; ConvF(5.11, 5.11, 5.11); Calibrated: 2012.11.26;
- Sensor-Surface: 1.4mm (Mechanical Surface Detection)
- Electronics: DAE4 Sn1303; Calibrated: 2012.11.12
- Phantom: SAM1; Type: QD000P40CD; Serial: TP:1670
- Measurement SW: DASY52, Version 52.8 (2); SEMCAD X Version 14.6.6 (6824)

Pin=100mW/Area Scan (71x71x1): Interpolated grid: $dx=10\text{mm}$, $dy=10\text{mm}$

Maximum value of SAR (interpolated) = 18.1 W/kg

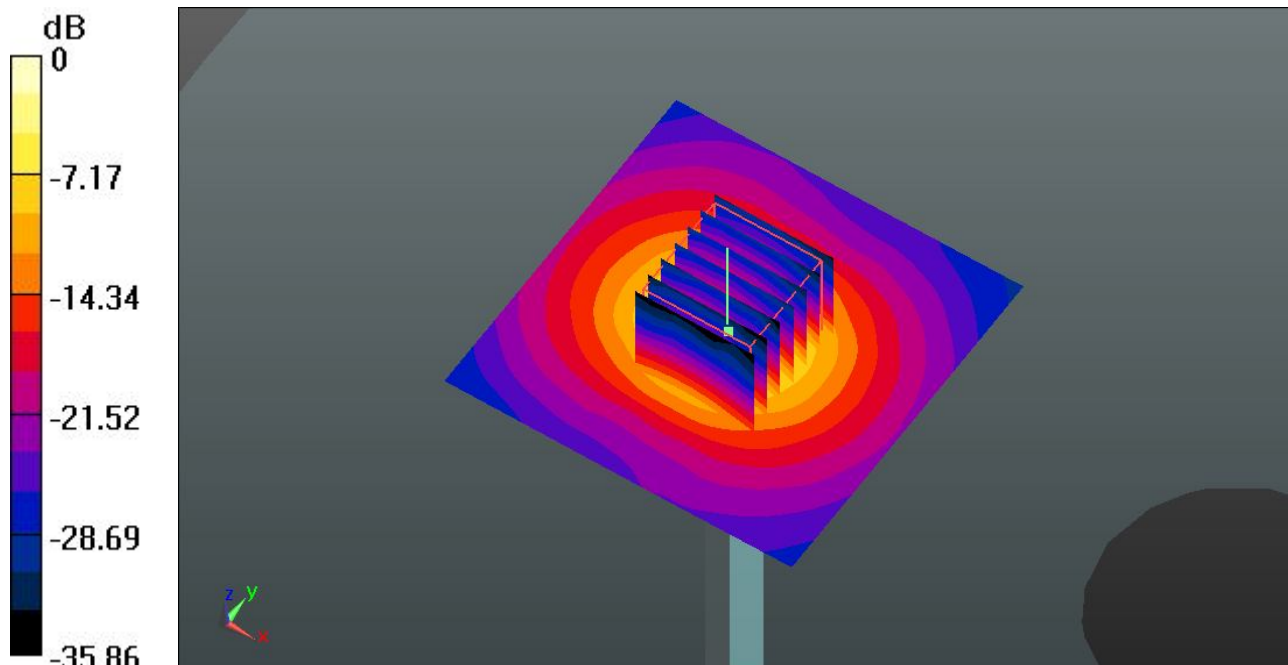
Pin=100mW/Zoom Scan (7x7x7)/Cube 0: Measurement grid: $dx=4\text{mm}$, $dy=4\text{mm}$, $dz=1.4\text{mm}$

Reference Value = 56.080 V/m ; Power Drift = 0.03 dB

Peak SAR (extrapolated) = 30.937 mW/g

SAR(1 g) = 7.66 mW/g ; SAR(10 g) = 2.12 mW/g

Maximum value of SAR (measured) = 19.1 W/kg



0 dB = 19.1 W/kg

System Check_Head_5300MHz_130912

DUT: D5GHzV2 - SN: 1006

Communication System: CW; Frequency: 5300 MHz; Duty Cycle: 1:1

Medium: HSL_5300_130912 Medium parameters used: $f = 5300$ MHz; $\sigma = 4.776$ mho/m; $\epsilon_r =$

36.353 ; $\rho = 1000$ kg/m³

Ambient Temperature : 23.6 °C ; Liquid Temperature : 22.7 °C

DASY5 Configuration:

- Probe: EX3DV4 - SN3819; ConvF(4.85, 4.85, 4.85); Calibrated: 2012.11.26;
- Sensor-Surface: 1.4mm (Mechanical Surface Detection)
- Electronics: DAE4 Sn1303; Calibrated: 2012.11.22
- Phantom: SAM2; Type: QD000P40CD; Serial: TP:1671
- Measurement SW: DASY52, Version 52.8 (2); SEMCAD X Version 14.6.6 (6824)

Pin=100mW/Area Scan (71x71x1): Interpolated grid: dx=10mm, dy=10mm

Maximum value of SAR (interpolated) = 17.3 W/kg

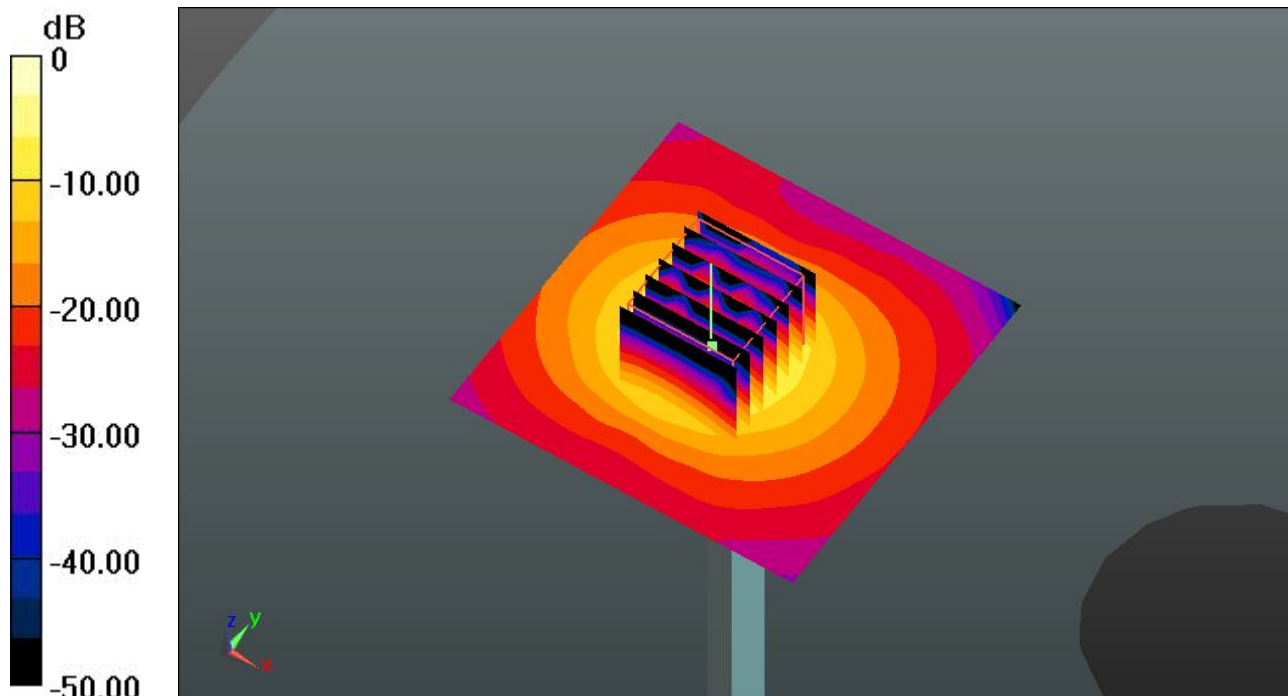
Pin=100mW/Zoom Scan (7x7x7)/Cube 0: Measurement grid: dx=4mm, dy=4mm, dz=1.4mm

Reference Value = 61.653 V/m; Power Drift = 0.06 dB

Peak SAR (extrapolated) = 29.121 mW/g

SAR(1 g) = 7.84 mW/g; SAR(10 g) = 1.96 mW/g

Maximum value of SAR (measured) = 19.8 W/kg



0 dB = 19.8 W/kg

System Check_Head_5600MHz_130912

DUT: D5GHzV2 - SN: 1006

Communication System: CW; Frequency: 5600 MHz; Duty Cycle: 1:1

Medium: HSL_5600_130912 Medium parameters used: $f = 5600$ MHz; $\sigma = 5.141$ mho/m; $\epsilon_r =$

35.813 ; $\rho = 1000$ kg/m³

Ambient Temperature : 23.6 °C ; Liquid Temperature : 22.7 °C

DASY5 Configuration:

- Probe: EX3DV4 - SN3819; ConvF(4.34, 4.34, 4.34); Calibrated: 2012.11.26;
- Sensor-Surface: 1.4mm (Mechanical Surface Detection)
- Electronics: DAE4 Sn1303; Calibrated: 2012.11.22
- Phantom: SAM2; Type: QD000P40CD; Serial: TP:1671
- Measurement SW: DASY52, Version 52.8 (2); SEMCAD X Version 14.6.6 (6824)

Pin=100mW/Area Scan (71x71x1): Interpolated grid: dx=10mm, dy=10mm

Maximum value of SAR (interpolated) = 18.3 W/kg

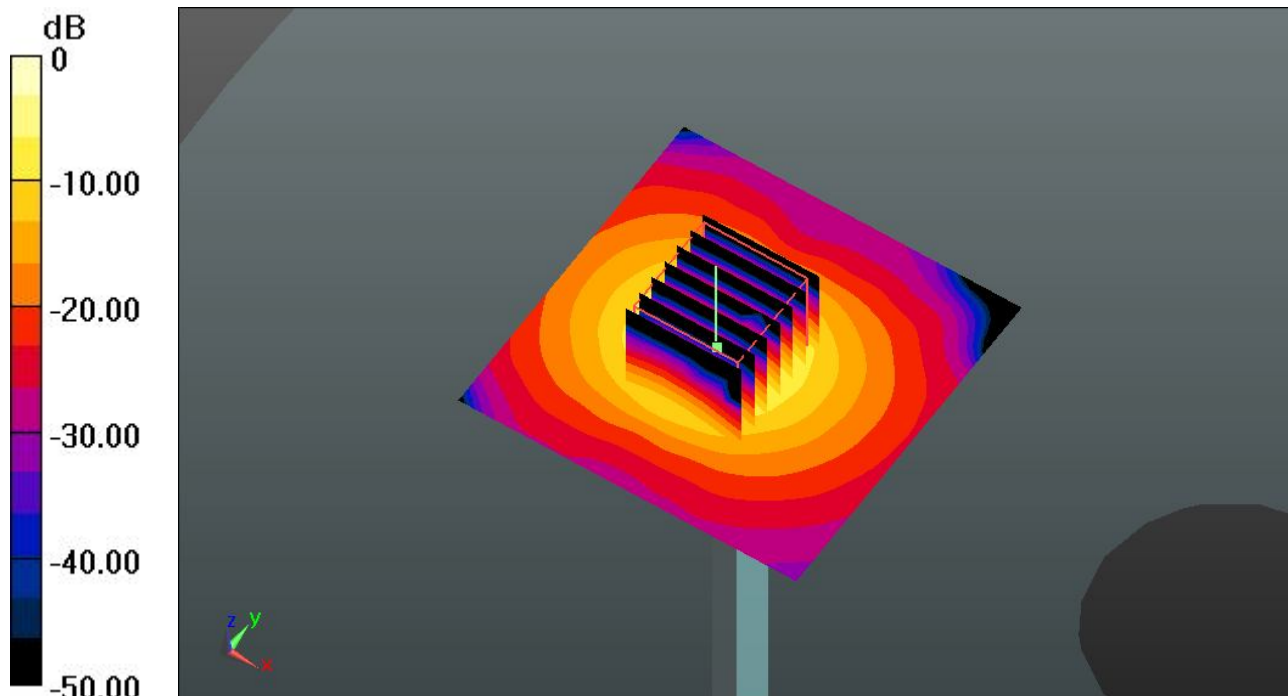
Pin=100mW/Zoom Scan (7x7x7)/Cube 0: Measurement grid: dx=4mm, dy=4mm, dz=1.4mm

Reference Value = 63.806 V/m; Power Drift = 0.04 dB

Peak SAR (extrapolated) = 31.675 mW/g

SAR(1 g) = 8.37 mW/g; SAR(10 g) = 2.21 mW/g

Maximum value of SAR (measured) = 19.5 W/kg



0 dB = 19.5 W/kg

System Check_Head_5800MHz_130827

DUT: D5GHzV2 - SN: 1006

Communication System: CW; Frequency: 5800 MHz; Duty Cycle: 1:1

Medium: HSL_5G_130827 Medium parameters used: $f = 5800 \text{ MHz}$; $\sigma = 5.442 \text{ mho/m}$; $\epsilon_r =$

35.768 ; $\rho = 1000 \text{ kg/m}^3$

Ambient Temperature : $23.5 \text{ }^\circ\text{C}$; Liquid Temperature : $22.5 \text{ }^\circ\text{C}$

DASY5 Configuration:

- Probe: EX3DV4 - SN3819; ConvF(4.57, 4.57, 4.57); Calibrated: 2012.11.26;
- Sensor-Surface: 1.4mm (Mechanical Surface Detection)
- Electronics: DAE4 Sn1303; Calibrated: 2012.11.12
- Phantom: SAM1; Type: QD000P40CD; Serial: TP:1670
- Measurement SW: DASY52, Version 52.8 (2); SEMCAD X Version 14.6.6 (6824)

Pin=100mW/Area Scan (71x71x1): Interpolated grid: $dx=10\text{mm}$, $dy=10\text{mm}$

Maximum value of SAR (interpolated) = 20.6 W/kg

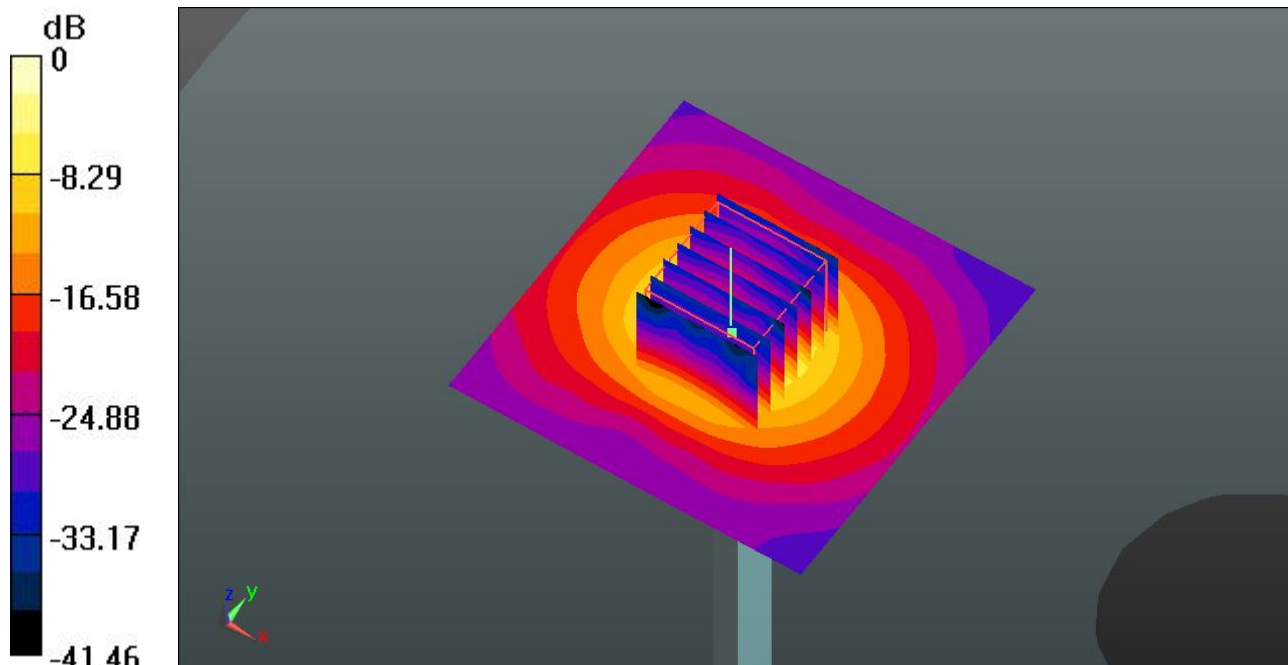
Pin=100mW/Zoom Scan (7x7x7)/Cube 0: Measurement grid: $dx=4\text{mm}$, $dy=4\text{mm}$, $dz=1.4\text{mm}$

Reference Value = 52.966 V/m ; Power Drift = 0.08 dB

Peak SAR (extrapolated) = 36.336 mW/g

SAR(1 g) = 8.18 mW/g ; SAR(10 g) = 2.24 mW/g

Maximum value of SAR (measured) = 21.2 W/kg



0 dB = 21.2 W/kg

System Check_Body_1900MHz_130816

DUT: D1900V2 - SN: 5d118

Communication System: CW; Frequency: 1900 MHz; Duty Cycle: 1:1

Medium: MSL_1900_130816 Medium parameters used: $f = 1900$ MHz; $\sigma = 1.512$ mho/m; $\epsilon_r =$

53.903 ; $\rho = 1000$ kg/m³

Ambient Temperature : 23.4 °C ; Liquid Temperature : 22.7 °C

DASY5 Configuration:

- Probe: EX3DV4 - SN3819; ConvF(7.67, 7.67, 7.67); Calibrated: 2012.11.26;
- Sensor-Surface: 2mm (Mechanical Surface Detection)
- Electronics: DAE4 Sn1303; Calibrated: 2012.11.12
- Phantom: SAM1; Type: QD000P40CD; Serial: TP:1670
- Measurement SW: DASY52, Version 52.8 (2); SEMCAD X Version 14.6.6 (6824)

Pin=250mW/Area Scan (61x61x1): Interpolated grid: dx=15mm, dy=15mm

Maximum value of SAR (interpolated) = 14.3 W/kg

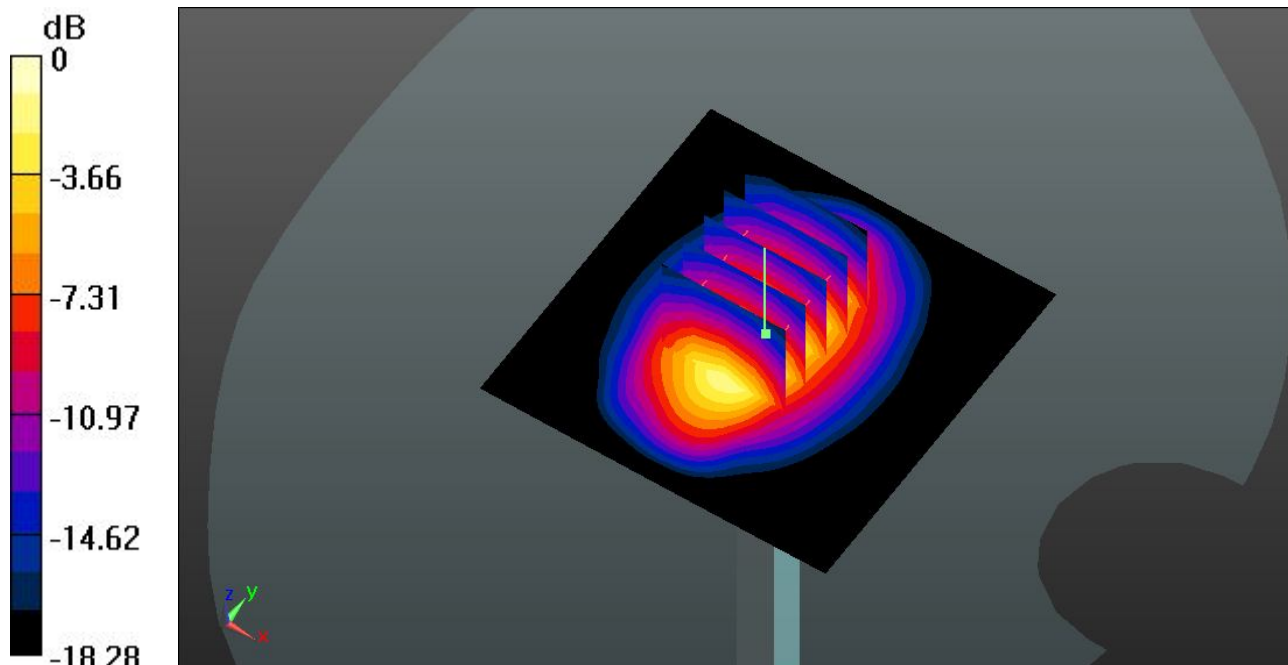
Pin=250mW/Zoom Scan (5x5x7)/Cube 0: Measurement grid: dx=8mm, dy=8mm, dz=5mm

Reference Value = 85.872 V/m; Power Drift = 0.04 dB

Peak SAR (extrapolated) = 18.251 mW/g

SAR(1 g) = 10.1 mW/g; SAR(10 g) = 5.22 mW/g

Maximum value of SAR (measured) = 14.4 W/kg



0 dB = 14.4 W/kg

System Check_Body_2450MHz_130827

DUT: D2450V2 - SN: 840

Communication System: CW; Frequency: 2450 MHz; Duty Cycle: 1:1

Medium: MSL_2450_130827 Medium parameters used: $f = 2450$ MHz; $\sigma = 1.949$ mho/m; $\epsilon_r =$

51.667 ; $\rho = 1000$ kg/m³

Ambient Temperature : 23.5 °C ; Liquid Temperature : 22.6 °C

DASY5 Configuration:

- Probe: EX3DV4 - SN3819; ConvF(7.21, 7.21, 7.21); Calibrated: 2012.11.26;
- Sensor-Surface: 2mm (Mechanical Surface Detection)
- Electronics: DAE4 Sn1303; Calibrated: 2012.11.12
- Phantom: SAM1; Type: QD000P40CD; Serial: TP:1670
- Measurement SW: DASY52, Version 52.8 (2); SEMCAD X Version 14.6.6 (6824)

Pin=250mW/Area Scan (81x81x1): Interpolated grid: dx=12mm, dy=12mm

Maximum value of SAR (interpolated) = 18.3 W/kg

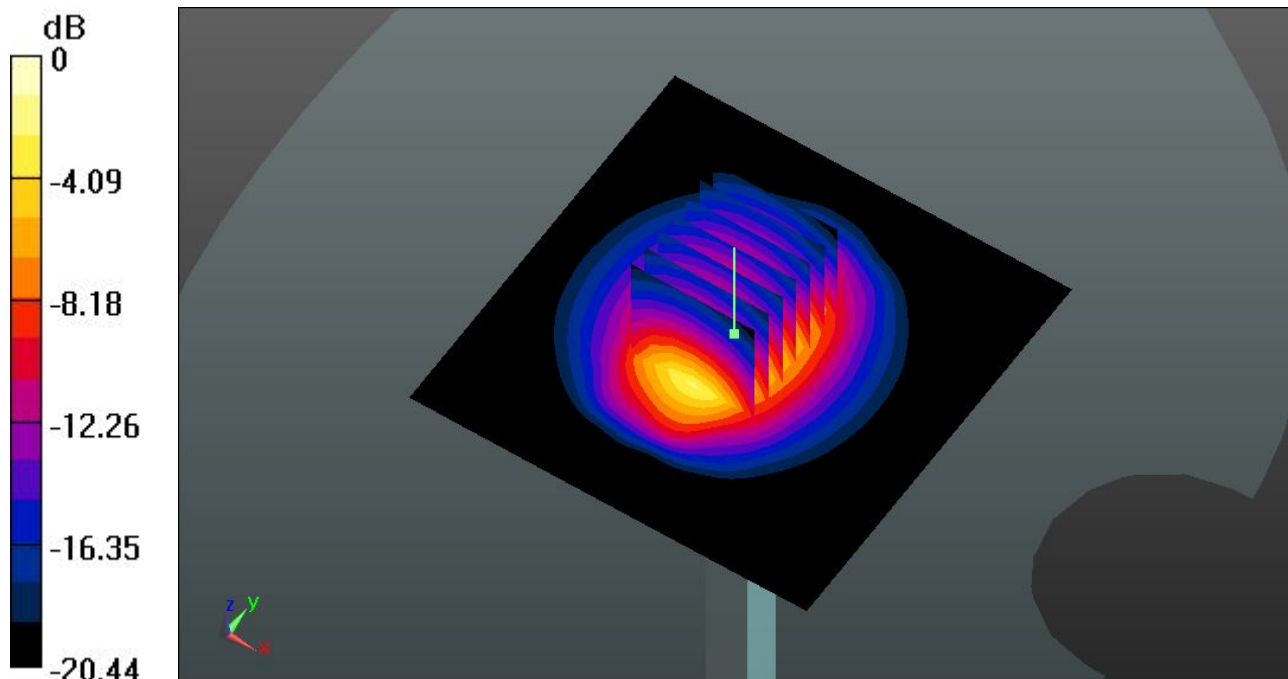
Pin=250mW/Zoom Scan (7x7x7)/Cube 0: Measurement grid: dx=5mm, dy=5mm, dz=5mm

Reference Value = 82.205 V/m; Power Drift = -0.01 dB

Peak SAR (extrapolated) = 24.691 mW/g

SAR(1 g) = 12.1 mW/g; SAR(10 g) = 5.71 mW/g

Maximum value of SAR (measured) = 18.4 W/kg



0 dB = 18.4 W/kg

System Check_Body_2600MHz_130905

DUT: D2600V2 - SN: 1061

Communication System: CW; Frequency: 2600 MHz; Duty Cycle: 1:1

Medium: MSL_2600_130905 Medium parameters used: $f = 2600$ MHz; $\sigma = 2.165$ mho/m; $\epsilon_r =$

53.823 ; $\rho = 1000$ kg/m³

Ambient Temperature : 23.5 °C ; Liquid Temperature : 22.8 °C

DASY5 Configuration:

- Probe: EX3DV4 - SN3819; ConvF(6.89, 6.89, 6.89); Calibrated: 2012.11.26;
- Sensor-Surface: 2mm (Mechanical Surface Detection)
- Electronics: DAE4 Sn1303; Calibrated: 2012.11.22
- Phantom: SAM1; Type: QD000P40CD; Serial: TP:1670
- Measurement SW: DASY52, Version 52.8 (2); SEMCAD X Version 14.6.6 (6824)

Pin=250mW/Area Scan (61x61x1): Interpolated grid: dx=12mm, dy=12mm

Maximum value of SAR (interpolated) = 28.9 W/kg

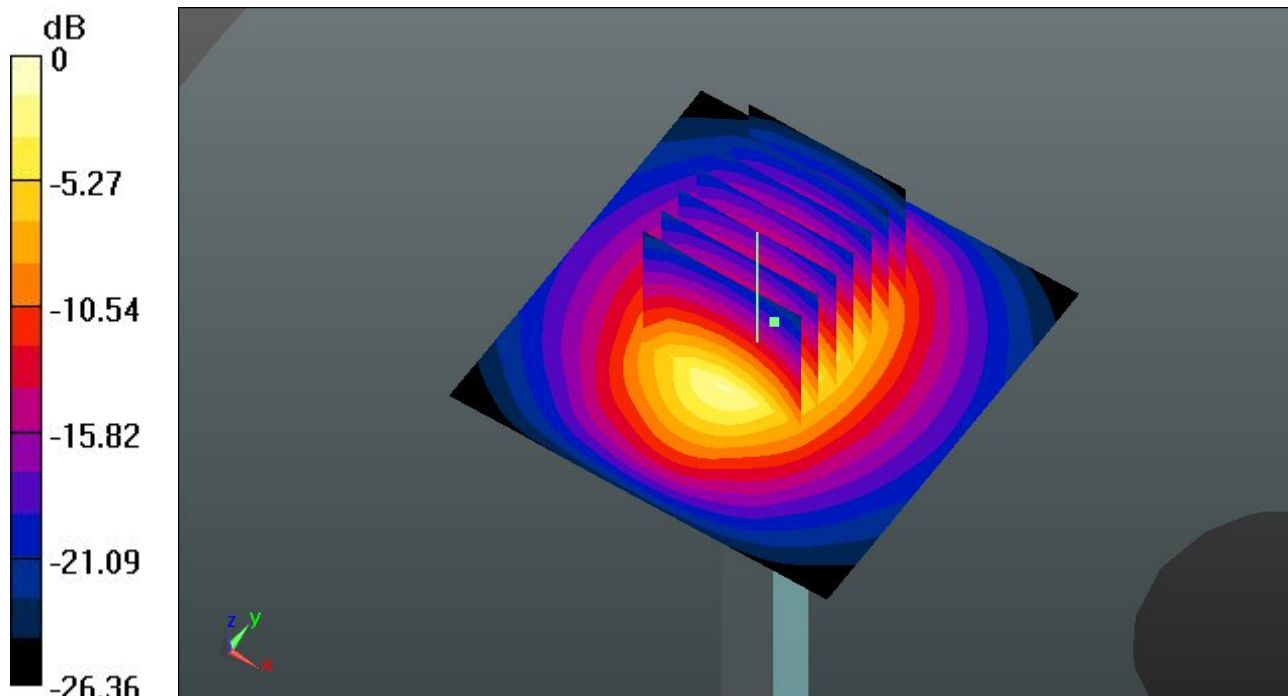
Pin=250mW/Zoom Scan (7x7x7)/Cube 0: Measurement grid: dx=5mm, dy=5mm, dz=5mm

Reference Value = 115.1 V/m; Power Drift = -0.02 dB

Peak SAR (extrapolated) = 37.986 mW/g

SAR(1 g) = 14.7 mW/g; SAR(10 g) = 7.48 mW/g

Maximum value of SAR (measured) = 25.1 W/kg



0 dB = 25.1 W/kg

System Check_Body_5200MHz_130827

DUT: D5GHzV2 - SN: 1006

Communication System: CW; Frequency: 5200 MHz; Duty Cycle: 1:1

Medium: MSL_5G_130827 Medium parameters used: $f = 5200$ MHz; $\sigma = 5.279$ mho/m; $\epsilon_r =$

48.534 ; $\rho = 1000$ kg/m³

Ambient Temperature : 23.5 °C ; Liquid Temperature : 22.7 °C

DASY5 Configuration:

- Probe: EX3DV4 - SN3819; ConvF(4.63, 4.63, 4.63); Calibrated: 2012.11.26;
- Sensor-Surface: 1.4mm (Mechanical Surface Detection)
- Electronics: DAE4 Sn1303; Calibrated: 2012.11.12
- Phantom: SAM2; Type: QD000P40CD; Serial: TP:1671
- Measurement SW: DASY52, Version 52.8 (2); SEMCAD X Version 14.6.6 (6824)

Pin=100mW/Area Scan (71x71x1): Interpolated grid: dx=10mm, dy=10mm

Maximum value of SAR (interpolated) = 17.8 W/kg

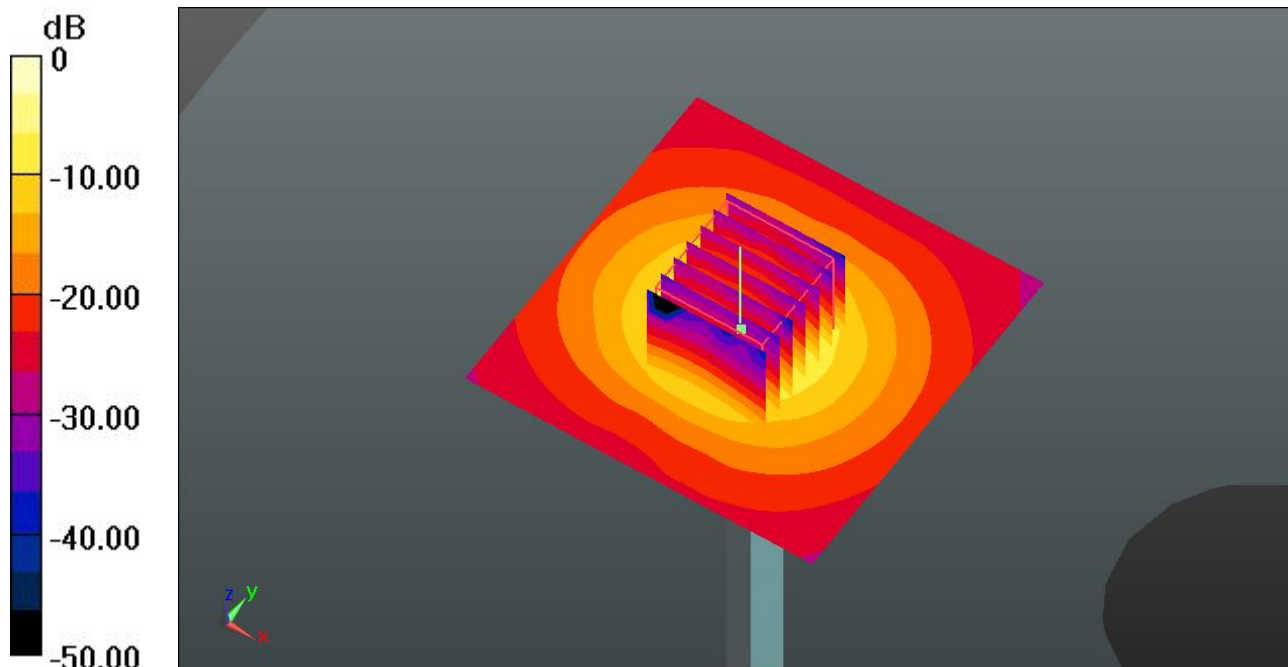
Pin=100mW/Zoom Scan (7x7x7)/Cube 0: Measurement grid: dx=4mm, dy=4mm, dz=1.4mm

Reference Value = 48.009 V/m; Power Drift = 0.09 dB

Peak SAR (extrapolated) = 30.047 mW/g

SAR(1 g) = 7.52 mW/g; SAR(10 g) = 2.06 mW/g

Maximum value of SAR (measured) = 18.3 W/kg



0 dB = 18.3 W/kg

System Check_Body_5300MHz_130913

DUT: D5GHzV2 - SN: 1006

Communication System: CW; Frequency: 5300 MHz; Duty Cycle: 1:1

Medium: MSL_5300_130913 Medium parameters used: $f = 5300$ MHz; $\sigma = 5.404$ mho/m; $\epsilon_r =$

48.094; $\rho = 1000$ kg/m³

Ambient Temperature : 23.4 °C ; Liquid Temperature : 22.7 °C

DASY5 Configuration:

- Probe: EX3DV4 - SN3819; ConvF(4.31, 4.31, 4.31); Calibrated: 2012.11.26;
- Sensor-Surface: 1.4mm (Mechanical Surface Detection)
- Electronics: DAE4 Sn1303; Calibrated: 2012.11.22
- Phantom: SAM1; Type: QD000P40CD; Serial: TP:1670
- Measurement SW: DASY52, Version 52.8 (2); SEMCAD X Version 14.6.6 (6824)

Pin=100mW/Area Scan (71x71x1): Interpolated grid: dx=10mm, dy=10mm

Maximum value of SAR (interpolated) = 20.2 W/kg

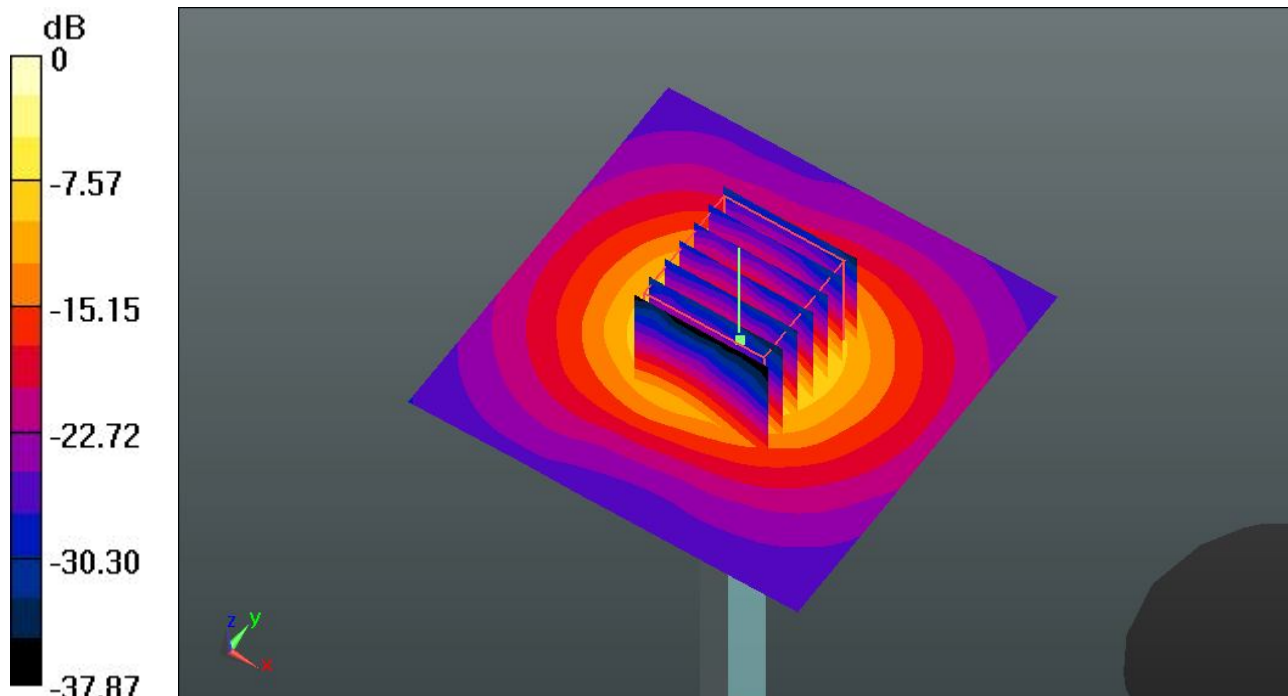
Pin=100mW/Zoom Scan (7x7x7)/Cube 0: Measurement grid: dx=4mm, dy=4mm, dz=1.4mm

Reference Value = 49.132 V/m; Power Drift = -0.10 dB

Peak SAR (extrapolated) = 30.423 mW/g

SAR(1 g) = 7.92 mW/g; SAR(10 g) = 2.3 mW/g

Maximum value of SAR (measured) = 18.5 W/kg



0 dB = 18.5 W/kg

System Check_Body_5600MHz_130913

DUT: D5GHzV2 - SN: 1006

Communication System: CW; Frequency: 5600 MHz; Duty Cycle: 1:1

Medium: MSL_5600_130913 Medium parameters used: $f = 5600 \text{ MHz}$; $\sigma = 5.834 \text{ mho/m}$; $\epsilon_r =$

47.448 ; $\rho = 1000 \text{ kg/m}^3$

Ambient Temperature : $23.4 \text{ }^\circ\text{C}$; Liquid Temperature : $22.7 \text{ }^\circ\text{C}$

DASY5 Configuration:

- Probe: EX3DV4 - SN3819; ConvF(3.86, 3.86, 3.86); Calibrated: 2012.11.26;
- Sensor-Surface: 1.4mm (Mechanical Surface Detection)
- Electronics: DAE4 Sn1303; Calibrated: 2012.11.22
- Phantom: SAM1; Type: QD000P40CD; Serial: TP:1670
- Measurement SW: DASY52, Version 52.8 (2); SEMCAD X Version 14.6.6 (6824)

Pin=100mW/Area Scan (71x71x1): Interpolated grid: $dx=10\text{mm}$, $dy=10\text{mm}$

Maximum value of SAR (interpolated) = 24.6 W/kg

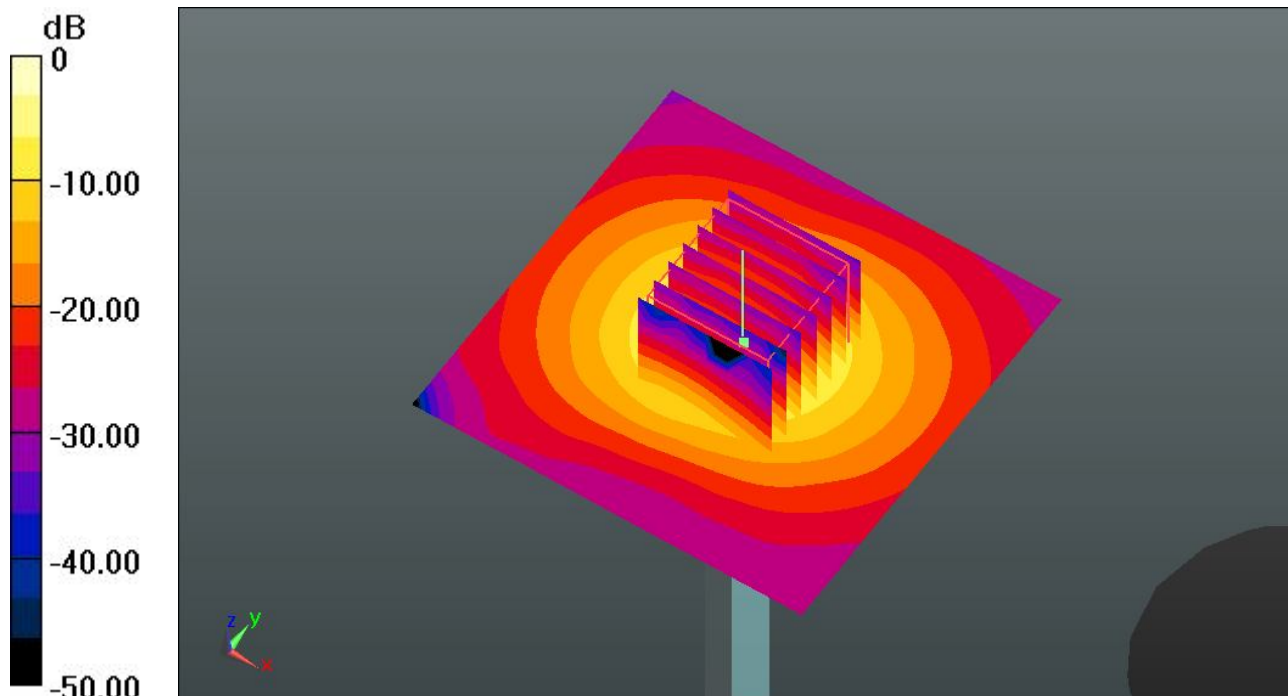
Pin=100mW/Zoom Scan (7x7x7)/Cube 0: Measurement grid: $dx=4\text{mm}$, $dy=4\text{mm}$, $dz=1.4\text{mm}$

Reference Value = 49.212 V/m ; Power Drift = -0.00 dB

Peak SAR (extrapolated) = 37.631 mW/g

SAR(1 g) = 7.67 mW/g ; SAR(10 g) = 2.2 mW/g

Maximum value of SAR (measured) = 22.4 W/kg



0 dB = 22.4 W/kg

System Check_Body_5800MHz_130827

DUT: D5GHzV2 - SN: 1006

Communication System: CW; Frequency: 5800 MHz; Duty Cycle: 1:1

Medium: MSL_5G_130827 Medium parameters used: $f = 5800 \text{ MHz}$; $\sigma = 6.113 \text{ mho/m}$; $\epsilon_r =$

47.156 ; $\rho = 1000 \text{ kg/m}^3$

Ambient Temperature : $23.5 \text{ }^\circ\text{C}$; Liquid Temperature : $22.8 \text{ }^\circ\text{C}$

DASY5 Configuration:

- Probe: EX3DV4 - SN3819; ConvF(4.09, 4.09, 4.09); Calibrated: 2012.11.26;
- Sensor-Surface: 1.4mm (Mechanical Surface Detection)
- Electronics: DAE4 Sn1303; Calibrated: 2012.11.12
- Phantom: SAM2; Type: QD000P40CD; Serial: TP:1671
- Measurement SW: DASY52, Version 52.8 (2); SEMCAD X Version 14.6.6 (6824)

Pin=100mW/Area Scan (71x71x1): Interpolated grid: $dx=10\text{mm}$, $dy=10\text{mm}$

Maximum value of SAR (interpolated) = 19.5 W/kg

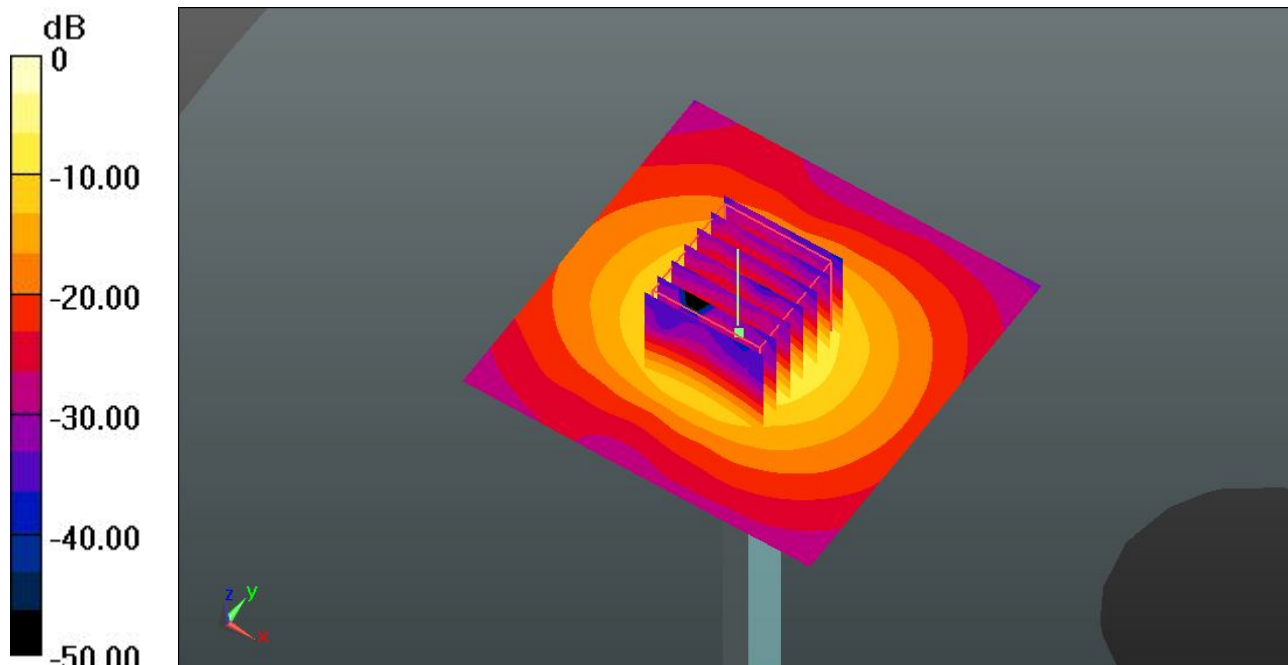
Pin=100mW/Zoom Scan (7x7x7)/Cube 0: Measurement grid: $dx=4\text{mm}$, $dy=4\text{mm}$, $dz=1.4\text{mm}$

Reference Value = 45.968 V/m ; Power Drift = 0.08 dB

Peak SAR (extrapolated) = 32.992 mW/g

SAR(1 g) = 7.83 mW/g ; SAR(10 g) = 2.14 mW/g

Maximum value of SAR (measured) = 19.7 W/kg



0 dB = 19.7 W/kg