



FCC Test Report

APPLICANT : Yulong Computer Telecommunication
Scientific (Shenzhen) Co., Ltd
EQUIPMENT : Smartphone
BRAND NAME : Coolpad
MODEL NAME : cp3636a
MARKETING NAME : Coolpad Canvas
FCC ID : R38YL3636A
STANDARD : FCC 47 CFR FCC Part 15 Subpart B
CLASSIFICATION : Certification

The product was received on Sep. 30, 2016 and testing was completed on Feb. 06, 2017. We, SPORTON INTERNATIONAL (SHENZHEN) INC., would like to declare that the tested sample has been evaluated in accordance with the test procedures given in ANSI C63.4-2014 and has been in compliance with the applicable technical standards.

The test results in this report apply exclusively to the tested model / sample. Without written approval of SPORTON INTERNATIONAL (SHENZHEN) INC., the test report shall not be reproduced except in full.

Prepared by: Eric Shih / Manager

Approved by: Jones Tsai / Manager



SPORTON INTERNATIONAL (SHENZHEN) INC.

**1F & 2F, Building A, Morning Business Center, No. 4003 ShiGu Rd., Xili Town,
Nanshan District, Shenzhen, Guangdong, P. R. China**



TABLE OF CONTENTS

REVISION HISTORY.....	3
SUMMARY OF TEST RESULT	4
1. GENERAL DESCRIPTION	5
1.1. Applicant.....	5
1.2. Manufacturer	5
1.3. Product Feature of Equipment Under Test	5
1.4. Product Specification of Equipment Under Test	6
1.5. Modification of EUT	7
1.6. Test Location	7
1.7. Applicable Standards	7
2. TEST CONFIGURATION OF EQUIPMENT UNDER TEST.....	8
2.1. Test Mode	8
2.2. Connection Diagram of Test System	10
2.3. Support Unit used in test configuration and system.....	12
2.4. EUT Operation Test Setup	13
3. TEST RESULT.....	14
3.1. Test of AC Conducted Emission Measurement	14
3.2. Test of Radiated Emission Measurement	20
4. LIST OF MEASURING EQUIPMENT	25
5. UNCERTAINTY OF EVALUATION	26
APPENDIX A. SETUP PHOTOGRAPHS	



REVISION HISTORY

REPORT NO.	VERSION	DESCRIPTION	ISSUED DATE
FC693006	Rev. 01	Initial issue of report	Feb. 23, 2017



SUMMARY OF TEST RESULT

Report Section	FCC Rule	Description	Limit	Result	Remark
3.1	15.107	AC Conducted Emission	< 15.107 limits	PASS	Under limit 8.76 dB at 0.150 MHz
3.2	15.109	Radiated Emission	< 15.109 limits	PASS	Under limit 0.77 dB at 825.000 MHz for Quasi-Peak



1. General Description

1.1. Applicant

Yulong Computer Telecommunication Scientific (Shenzhen) Co., Ltd
Coolpad Information Harbor, High-tech Industrial Park (North), Nanshan District, Shenzhen, P.R.C.

1.2. Manufacturer

Yulong Computer Telecommunication Scientific (Shenzhen) Co., Ltd
Coolpad Information Harbor, High-tech Industrial Park (North), Nanshan District, Shenzhen, P.R.C.

1.3. Product Feature of Equipment Under Test

Product Feature	
Equipment	Smartphone
Brand Name	Coolpad
Model Name	cp3636a
Marketing Name	Coolpad Canvas
FCC ID	R38YL3636A
EUT supports Radios application	GSM/GPRS/EGPRS/WCDMA/HSPA/ HSPA+(16QAM uplink is not supported)/LTE WLAN2.4GHz 802.11b/g/n HT20 Bluetooth v2.1+EDR Bluetooth v4.0/4.1 LE
IMEI Code	Conduction: 863515030004744 Radiation: 863515031405916
HW Version	P1
SW Version	091.11.170119
EUT Stage	Production Unit

Remark: The above EUT's information was declared by manufacturer. Please refer to the specifications or user's manual for more detailed description.



1.4. Product Specification of Equipment Under Test

Standards-related Product Specification	
Tx Frequency	GSM850: 824.2 MHz ~ 848.8 MHz GSM1900: 1850.2 MHz ~ 1909.8MHz WCDMA Band V: 826.4 MHz ~ 846.6 MHz WCDMA Band II: 1852.4 MHz ~ 1907.6 MHz LTE Band 5 : 824.7 MHz ~ 848.3 MHz LTE Band 2 : 1850.7 MHz ~ 1909.3 MHz LTE Band 4 : 1710.7 MHz ~ 1754.3 MHz LTE Band 12: 699.7 MHz ~ 715.3 MHz LTE Band 30: 2307.5 MHz ~ 2312.5 MHz 802.11b/g/n: 2412 MHz ~ 2462 MHz Bluetooth: 2402 MHz ~ 2480 MHz
Rx Frequency	GSM850: 869.2 MHz ~ 893.8 MHz GSM1900: 1930.2 MHz ~ 1989.8 MHz WCDMA Band V: 871.4 MHz ~ 891.6 MHz WCDMA Band II: 1932.4 MHz ~ 1987.6 MHz LTE Band 5 : 869.7 MHz ~ 893.3 MHz LTE Band 2 : 1930.7 MHz ~ 1989.3 MHz LTE Band 4 : 2110.7 MHz ~ 2154.3 MHz LTE Band 12 : 729.7 MHz ~ 745.3 MHz LTE Band 30 : 2352.5 MHz ~ 2357.5 MHz 802.11b/g/n: 2412 MHz ~ 2462 MHz Bluetooth: 2402 MHz ~ 2480 MHz GPS : 1.57542 GHz Glonass : 1602 MHz + n × 0.5625MHz (n=-7, -6, -5, ..., 0, ..., 6)
Antenna Type	WWAN : PIFA Antenna WLAN : PIFA Antenna Bluetooth : PIFA Antenna GPS/Glonass: PIFA Antenna
Type of Modulation	GSM: GMSK GPRS: GMSK EDGE(MCS 0-4): GMSK / (MCS 5-9): 8PSK WCDMA: BPSK (Uplink) HSDPA: QPSK (Uplink) HSUPA: QPSK (Uplink) HSPA+: 16QAM (Uplink is not supported) LTE: QPSK / 16QAM 802.11b : DSSS (DBPSK / DQPSK / CCK) 802.11g/n : OFDM (BPSK / QPSK / 16QAM / 64QAM) Bluetooth LE : GFSK Bluetooth (1Mbps) : GFSK Bluetooth (2Mbps) : $\pi/4$ -DQPSK Bluetooth (3Mbps) : 8-DPSK GPS/Glonass : BPSK



1.5. Modification of EUT

No modifications are made to the EUT during all test items.

1.6. Test Location

Test Site	SPORTON INTERNATIONAL (SHENZHEN) INC.	
Test Site Location	1F & 2F, Building A, Morning Business Center, No. 4003 ShiGu Rd., Xili Town, Nanshan District, Shenzhen, Guangdong, P. R. China TEL: +86-755-8637-9589 FAX: +86-755-8637-9595	
Test Site No.	Sporton Site No.	
	CO01-SZ	

Test Site	SPORTON INTERNATIONAL (SHENZHEN) INC.	
Test Site Location	No. 3 Building, the third floor of south, Shahe River west, Fengzeyuan warehouse, Nanshan District, Shenzhen, Guangdong, P. R. China TEL: +86-755- 3320-2398	
Test Site No.	Sporton Site No.	FCC Registration No.
	03CH03-SZ	565805

1.7. Applicable Standards

According to the specifications of the manufacturer, the EUT must comply with the requirements of the following standards:

- ♦ FCC 47 CFR FCC Part 15 Subpart B
- ♦ ANSI C63.4-2014

Remark: All test items were verified and recorded according to the standards and without any deviation during the test.



2. Test Configuration of Equipment Under Test

2.1. Test Mode

The EUT has been associated with peripherals pursuant to ANSI C63.4-2014 and configuration operated in a manner tended to maximize its emission characteristics in a typical application.

Frequency range investigated: conduction (150 kHz to 30 MHz), radiation (30MHz to the 5th harmonic of the highest fundamental frequency or to 40 GHz, whichever is lower).

The following tables are showing the test modes as the worst cases and recorded in this report.

Item	EUT Configuration	Test Condition		
		EMI AC	EMI RE<1G	EMI RE≥1G
1.	Charging Mode (EUT with adapter)	☒	☒	Note 1
2.	Data application transferred mode (EUT connected with notebook)	☒	☒	☒

Abbreviations:

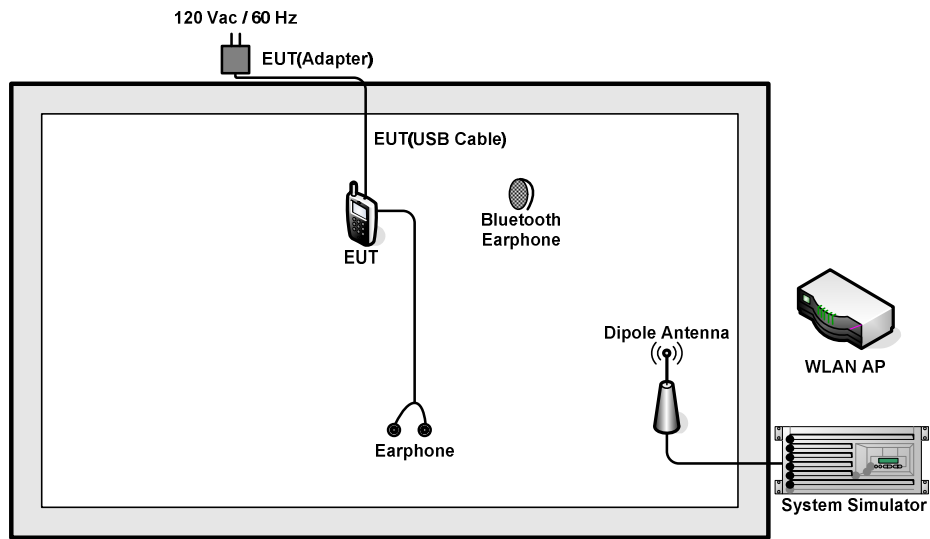
- EMI AC: AC conducted emissions
- EMI RE ≥ 1G: EUT radiated emissions ≥ 1GHz
- EMI RE < 1G: EUT radiated emissions < 1GHz

Note 1: Testing for this mode is not required or not the worst case.

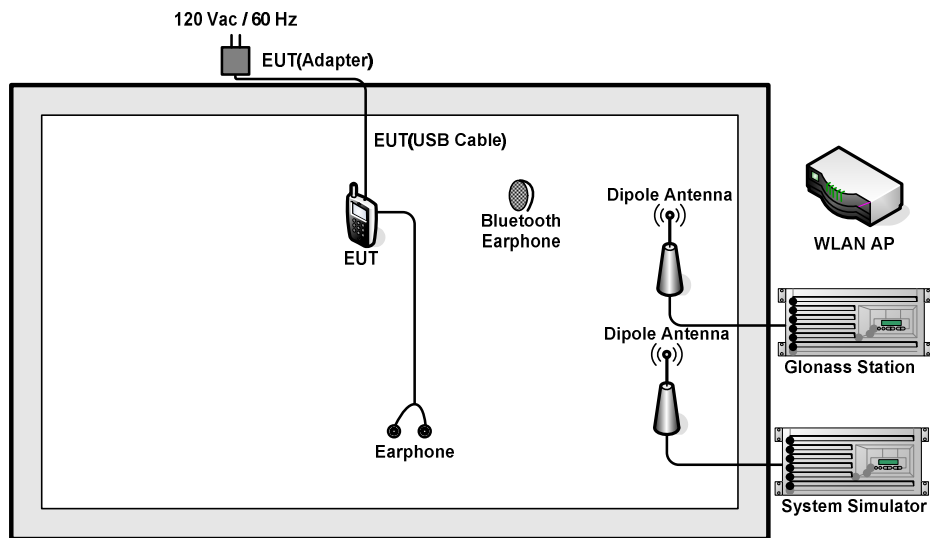
Remark: For signal above 1GHz, the worst case was test item 2.

Test Items	Function Type
AC Conducted Emission	Mode 1: GSM850 Idle + Bluetooth Idle + WLAN Idle + USB Cable (Charging from Adapter) + Earphone + Camera(Rear) <Fig.1> Mode 2: GSM1900 Idle + Bluetooth Idle + WLAN Idle + USB Cable (Charging from Adapter) + Earphone + Camera(Front) <Fig.1> Mode 3: WCDMA Band V Idle + Bluetooth Idle + WLAN Idle + USB Cable (Charging from Adapter) + Earphone + MPEG4<Fig.1> Mode 4: LTE Band 2 Idle + Bluetooth Idle + WLAN Idle + USB Cable (Charging from Adapter) + Earphone + Glonass Rx<Fig.2> Mode 5: LTE Band 30 Idle + Bluetooth Idle + WLAN Idle + USB Cable (Data Link with Notebook) + Earphone + GPS Rx<Fig.3>
Radiated Emissions < 1GHz	Mode 1: GSM850 Idle + Bluetooth Idle + WLAN Idle + USB Cable (Charging from Adapter) + Earphone + Camera(Rear) <Fig.1> Mode 2: GSM1900 Idle + Bluetooth Idle + WLAN Idle + USB Cable (Charging from Adapter) + Earphone + Camera(Front) <Fig.1> Mode 3: WCDMA Band V Idle + Bluetooth Idle + WLAN Idle + USB Cable (Charging from Adapter) + Earphone + MPEG4<Fig.1> Mode 4: LTE Band 2 Idle + Bluetooth Idle + WLAN Idle + USB Cable (Charging from Adapter) + Earphone + Glonass Rx<Fig.2> Mode 5: LTE Band 30 Idle + Bluetooth Idle + WLAN Idle + USB Cable (Data Link with Notebook) + Earphone + GPS Rx<Fig.3>
Radiated Emissions ≥ 1GHz	Mode 1: LTE Band 30 Idle + Bluetooth Idle + WLAN Idle + USB Cable (Data Link with Notebook) + Earphone + GPS Rx<Fig.3>
<p>Remark:</p> <ol style="list-style-type: none"> The worst case of AC is mode 4; and the USB Link mode of AC is mode 5, the test data of these modes were reported. The worst case of RE < 1G is mode 5; only the test data of this mode was reported. Data Link with Notebook means data application transferred mode between EUT and Notebook. 	

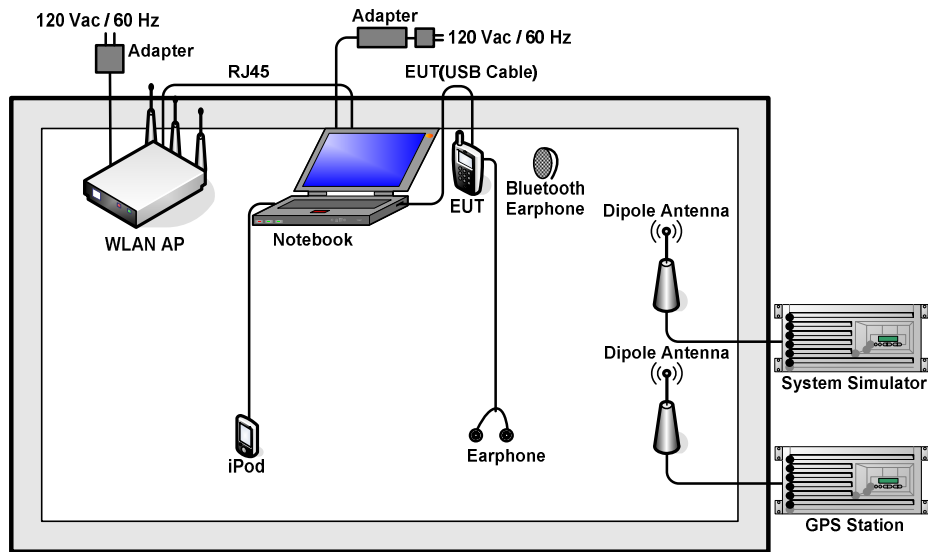
2.2. Connection Diagram of Test System



<Fig.1>



<Fig.2>



<Fig.3>



2.3. Support Unit used in test configuration and system

Item	Equipment	Trade Name	Model Name	FCC ID	Data Cable	Power Cord
1.	System Simulator	Anritsu	MT8820C	N/A	N/A	Unshielded, 1.8 m
2.	GPS Station	ADIVIC	MP9000	N/A	N/A	Unshielded, 1.8 m
3.	Glonass Station	RACELOGIC	RLLS03-2P	FCC DoC	N/A	N/A
4.	WLAN AP	ASUSTek	RT-AC66U	MSQ-RTAC66U	N/A	Unshielded, 2.7 m
5.	WLAN AP	Dlink	DIR-820L	KA2IR820LA1	N/A	Unshielded, 1.8 m
6.	Bluetooth Earphone	Nokia	BH-108	PYAHS-107W	N/A	N/A
7.	Bluetooth Earphone	Samsung	HS3000	A3LHS3000	N/A	N/A
8.	Notebook	Lenovo	E540	FCC DoC	N/A	AC I/P: Unshielded, 1.2 m DC O/P: Shielded, 1.8 m
9.	iPod nano 8GB	Apple	MC690 ZP/A	FCC DoC	Shielded, 1.2 m	N/A
10.	iPod	Apple	MC525 ZP/A	FCC DoC	Shielded, 1.0 m	N/A
11.	Earphone	Apple	MC690ZP/A	Fcc DoC	Unshielded,1.6m	N/A
12.	SD Card	Samsung	MB-MSAGB	Fcc DoC	N/A	N/A



2.4. EUT Operation Test Setup

The EUT was in GSM or WCDMA or LTE idle mode during the testing. The EUT was synchronized to the BCCH, and is in continuous receiving mode by setting system simulator's paging reorganization.

At the same time, the EUT was attached to the Bluetooth earphone or WLAN AP, and the following programs installed in the EUT were programmed during the test.

1. Data application is transferred between Laptop and EUT via USB cable.
2. Turn on GPS/Glonass function to make the EUT receive continuous signals from GPS/Glonass station.
3. Execute "Video player" to play MPEG4 files.
4. Turn on camera to capture images.



3. Test Result

3.1. Test of AC Conducted Emission Measurement

3.1.1 Limits of AC Conducted Emission

For equipment that is designed to be connected to the public utility (AC) power line, the radio frequency voltage that is conducted back onto the AC power line on any frequency or frequencies within the band 150 kHz to 30 MHz shall not exceed the limits in the following table.

Frequency of emission (MHz)	Conducted limit (dBuV)	
	Quasi-peak	Average
0.15-0.5	66 to 56*	56 to 46*
0.5-5	56	46
5-30	60	50

*Decreases with the logarithm of the frequency.

3.1.2 Measuring Instruments

The measuring equipment is listed in the section 4 of this test report.

3.1.3 Test Procedure

1. The EUT was placed 0.4 meter from the conducting wall of the shielding room was kept at least 80 centimeters from any other grounded conducting surface.
2. Connect EUT to the power mains through a line impedance stabilization network (LISN).
3. All the support units are connecting to the other LISN.
4. The LISN provides 50 ohm coupling impedance for the measuring instrument.
5. The FCC states that a 50 ohm, 50 microhenry LISN should be used.
6. Both sides of AC line were checked for maximum conducted interference.
7. The frequency range from 150 kHz to 30 MHz was searched.
8. Set the test-receiver system to Peak Detect Function and specified bandwidth (IF Bandwidth = 9kHz) with Maximum Hold Mode. Then measurement is also conducted by Average Detector and Quasi-Peak Detector Function respectively.

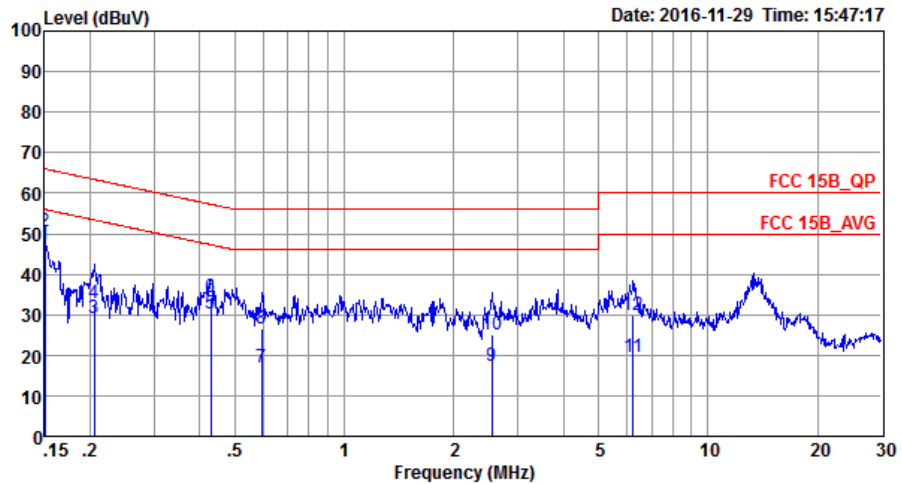
3.1.4 Test Setup





3.1.5 Test Result of AC Conducted Emission

Test Mode :	Mode 4	Temperature :	21~23°C
Test Engineer :	Tao Cheng	Relative Humidity :	41~43%
Test Voltage :	120Vac / 60Hz	Phase :	Line
Function Type :	LTE Band 2 Idle + Bluetooth Idle + WLAN Idle + USB Cable (Charging from Adapter) + Earphone + Glonass Rx		

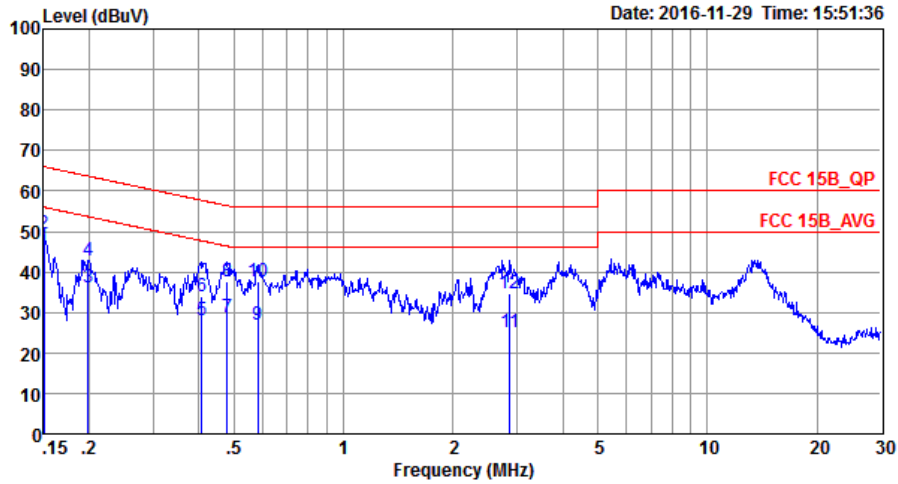


Site : CO01-SZ
 Condition: FCC 15B_QP LISN_20160509 LINE
 Project : (FC)693006
 Mode : Mode 4
 IMEI : 863515030004744

	Freq	Level	Over Limit	Limit Line	Read Level	LISN Factor	Cable Loss	Remark
	MHz	dBuV	dB	dBuV	dBuV	dB	dB	
1 *	0.15	47.24	-8.76	56.00	36.50	0.14	10.60	Average
2	0.15	50.64	-15.36	66.00	39.90	0.14	10.60	QP
3	0.21	29.20	-24.20	53.40	18.60	0.11	10.49	Average
4	0.21	32.90	-30.50	63.40	22.30	0.11	10.49	QP
5	0.43	30.35	-16.89	47.24	20.00	0.11	10.24	Average
6	0.43	34.35	-22.89	57.24	24.00	0.11	10.24	QP
7	0.59	17.10	-28.90	46.00	6.80	0.11	10.19	Average
8	0.59	26.50	-29.50	56.00	16.20	0.11	10.19	QP
9	2.54	17.30	-28.70	46.00	6.99	0.12	10.19	Average
10	2.54	25.10	-30.90	56.00	14.79	0.12	10.19	QP
11	6.22	19.64	-30.36	50.00	9.20	0.16	10.28	Average
12	6.22	29.94	-30.06	60.00	19.50	0.16	10.28	QP



Test Mode :	Mode 4	Temperature :	21~23°C
Test Engineer :	Tao Cheng	Relative Humidity :	41~43%
Test Voltage :	120Vac / 60Hz	Phase :	Neutral
Function Type :	LTE Band 2 Idle + Bluetooth Idle + WLAN Idle + USB Cable (Charging from Adapter) + Earphone + Glonass Rx		

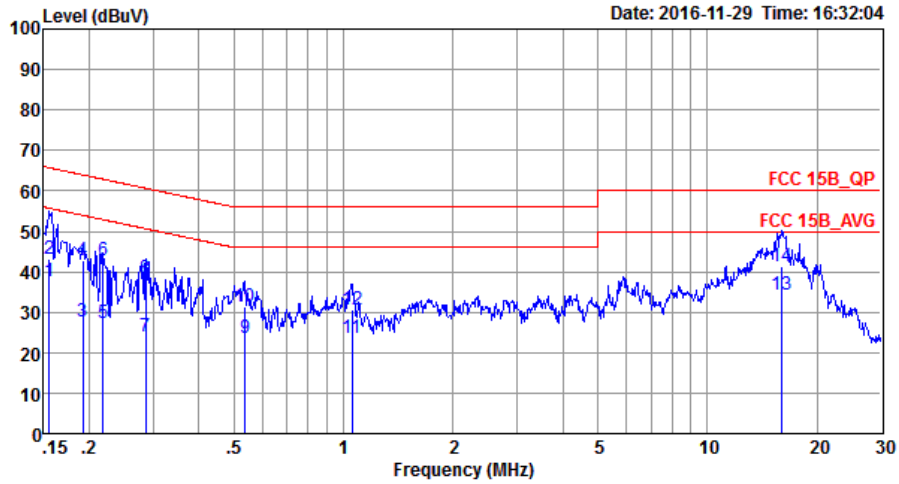


Site : CO01-SZ
 Condition: FCC 15B_QP LISN_20160509 NEUTRAL
 Project : (FC) 693006
 Mode : Mode 4
 IMEI : 863515030004744

	Freq	Level	Over Limit	Limit Line	Read Level	LISN Factor	Cable Loss	Remark
	MHz	dBuV	dB	dBuV	dBuV	dB	dB	
1 *	0.15	46.14	-9.86	56.00	35.40	0.14	10.60	Average
2	0.15	49.54	-16.46	66.00	38.80	0.14	10.60	QP
3	0.20	36.21	-17.46	53.67	25.60	0.11	10.50	Average
4	0.20	42.81	-20.86	63.67	32.20	0.11	10.50	QP
5	0.41	28.16	-19.52	47.68	17.80	0.11	10.25	Average
6	0.41	34.06	-23.62	57.68	23.70	0.11	10.25	QP
7	0.48	28.84	-17.52	46.36	18.50	0.11	10.23	Average
8	0.48	37.74	-18.62	56.36	27.40	0.11	10.23	QP
9	0.58	26.90	-19.10	46.00	16.60	0.11	10.19	Average
10	0.58	37.60	-18.40	56.00	27.30	0.11	10.19	QP
11	2.87	24.92	-21.08	46.00	14.60	0.12	10.20	Average
12	2.87	34.82	-21.18	56.00	24.50	0.12	10.20	QP



Test Mode :	Mode 5	Temperature :	21~23°C
Test Engineer :	Tao Cheng	Relative Humidity :	41~43%
Test Voltage :	120Vac / 60Hz	Phase :	Line
Function Type :	LTE Band 30 Idle + Bluetooth Idle + WLAN Idle + USB Cable (Data Link with Notebook) + Earphone + GPS Rx		

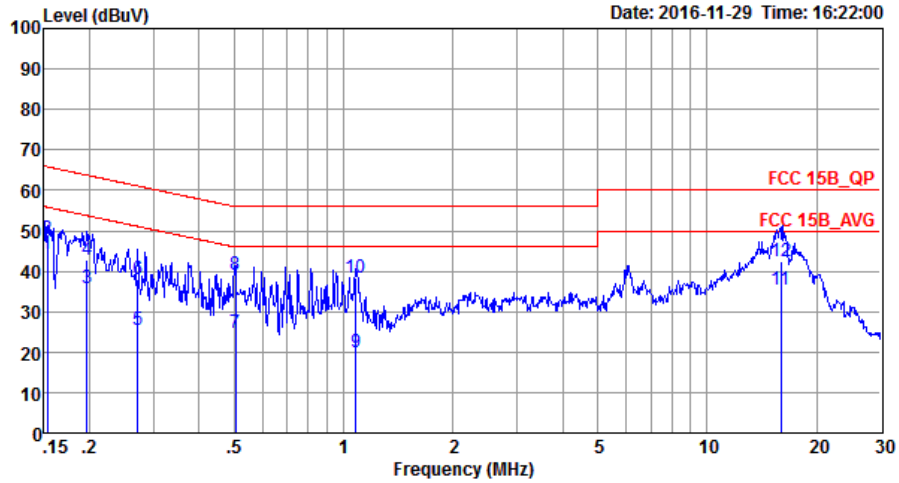


Site : C001-SZ
 Condition: FCC 15B_QP LISN_20160509 LINE
 Project : (FC) 693006
 Mode : Mode 5
 IMEI : 863515030004744

	Freq	Level	Over Limit	Limit Line	Read Level	LISN Factor	Cable Loss	Remark
	MHz	dBuV	dB	dBuV	dBuV	dB	dB	
1	0.16	37.72	-17.97	55.69	26.99	0.14	10.59	Average
2	0.16	43.12	-22.57	65.69	32.39	0.14	10.59	QP
3	0.19	27.53	-26.40	53.93	16.91	0.11	10.51	Average
4	0.19	42.73	-21.20	63.93	32.11	0.11	10.51	QP
5	0.22	27.19	-25.69	52.88	16.60	0.11	10.48	Average
6	0.22	42.69	-20.19	62.88	32.10	0.11	10.48	QP
7	0.29	24.14	-26.49	50.63	13.60	0.11	10.43	Average
8	0.29	38.24	-22.39	60.63	27.70	0.11	10.43	QP
9	0.54	23.52	-22.48	46.00	13.20	0.11	10.21	Average
10	0.54	31.22	-24.78	56.00	20.90	0.11	10.21	QP
11	1.05	23.77	-22.23	46.00	13.50	0.11	10.16	Average
12	1.05	30.47	-25.53	56.00	20.20	0.11	10.16	QP
13 *	15.97	34.27	-15.73	50.00	23.50	0.31	10.46	Average
14	15.97	41.27	-18.73	60.00	30.50	0.31	10.46	QP



Test Mode :	Mode 5	Temperature :	21~23°C
Test Engineer :	Tao Cheng	Relative Humidity :	41~43%
Test Voltage :	120Vac / 60Hz	Phase :	Neutral
Function Type :	LTE Band 30 Idle + Bluetooth Idle + WLAN Idle + USB Cable (Data Link with Notebook) + Earphone + GPS Rx		



Site : CO01-SZ
 Condition: FCC 15B_QP LISN_20160509 NEUTRAL
 Project : (FC)693006
 Mode : Mode 5
 IMEI : 863515030004744

	Freq	Level	Over	Limit	Read	LISN	Cable	Remark
	MHz	dBuV	Limit	Line	Level	Factor	Loss	
			dB	dBuV	dBuV	dB	dB	
1 *	0.15	44.33	-11.49	55.82	33.60	0.14	10.59	Average
2	0.15	48.03	-17.79	65.82	37.30	0.14	10.59	QP
3	0.20	35.82	-17.94	53.76	25.20	0.11	10.51	Average
4	0.20	42.82	-20.94	63.76	32.20	0.11	10.51	QP
5	0.27	25.55	-25.52	51.07	15.00	0.11	10.44	Average
6	0.27	37.85	-23.22	61.07	27.30	0.11	10.44	QP
7	0.50	24.63	-21.37	46.00	14.30	0.11	10.22	Average
8	0.50	39.13	-16.87	56.00	28.80	0.11	10.22	QP
9	1.08	19.87	-26.13	46.00	9.60	0.11	10.16	Average
10	1.08	38.47	-17.53	56.00	28.20	0.11	10.16	QP
11	15.97	35.47	-14.53	50.00	24.70	0.31	10.46	Average
12	15.97	42.47	-17.53	60.00	31.70	0.31	10.46	QP



3.2. Test of Radiated Emission Measurement

3.2.1. Limit of Radiated Emission

The emissions from an unintentional radiator shall not exceed the field strength levels specified in the following table:

Frequency (MHz)	Field Strength (microvolts/meter)	Measurement Distance (meters)
30 – 88	100	3
88 – 216	150	3
216 - 960	200	3
Above 960	500	3

3.2.2. Measuring Instruments

The measuring equipment is listed in the section 4 of this test report.

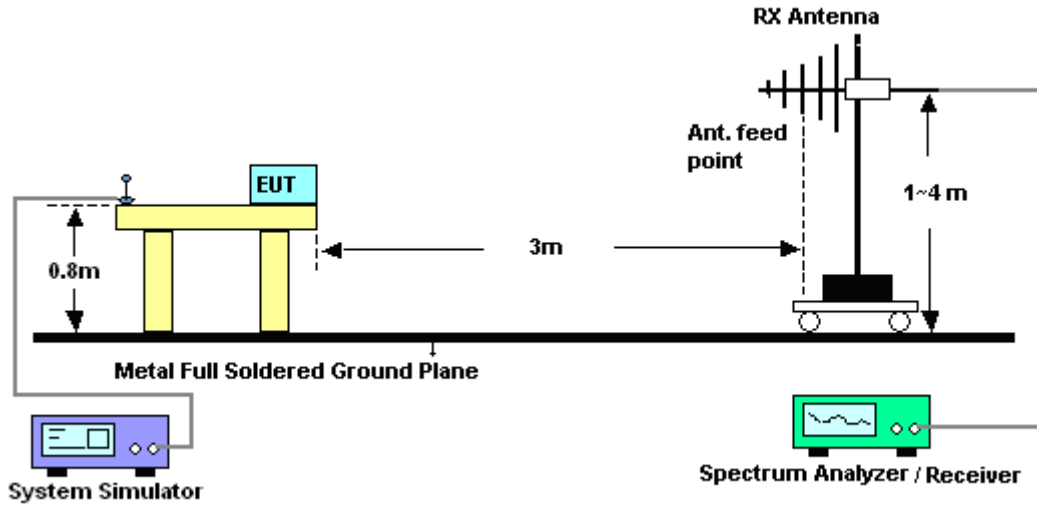


3.2.3. Test Procedures

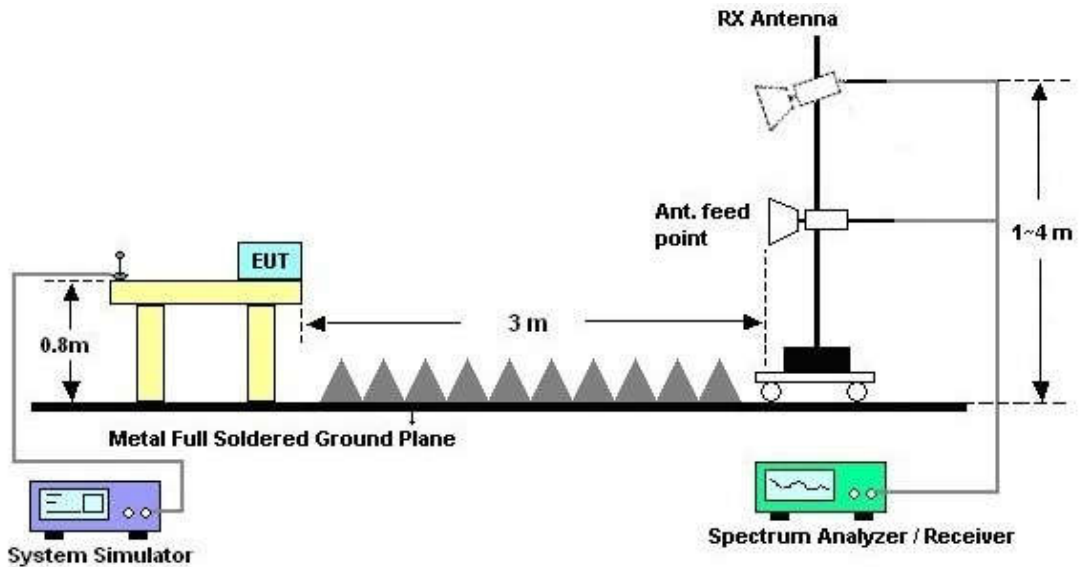
1. The EUT was placed on a turntable with 0.8 meter above ground.
2. The EUT was set 3 meters from the interference receiving antenna, which was mounted on the top of a variable height antenna tower.
3. The table was rotated 360 degrees to determine the position of the highest radiation.
4. The antenna is a Bi-Log antenna and its height is adjusted between one to four meters above ground to find the maximum value of the field strength for both horizontal polarization and vertical polarization of the antenna.
5. For each suspected emission, the EUT was arranged to its worst case and then tune the antenna tower (from 1 m to 4 m) and turntable (from 0 degree to 360 degrees) to find the maximum reading.
6. Set the test-receiver system to Peak Detect Function and specified bandwidth with Maximum Hold Mode (RBW=120kHz/VBW=300kHz for frequency below 1GHz; RBW=1MHz VBW=3MHz (Peak), RBW=1MHz/VBW=10Hz (Average) for frequency above 1GHz).
7. If the emission level of the EUT in peak mode was 3 dB lower than the limit specified, peak values of EUT will be reported. Otherwise, the emission will be repeated by using the quasi-peak method and reported.
8. Emission level (dB μ V/m) = 20 log Emission level (μ V/m)
9. Corrected Reading: Antenna Factor + Cable Loss + Read Level - Preamp Factor = Level

3.2.4. Test Setup of Radiated Emission

For radiated emissions from 30MHz to 1GHz



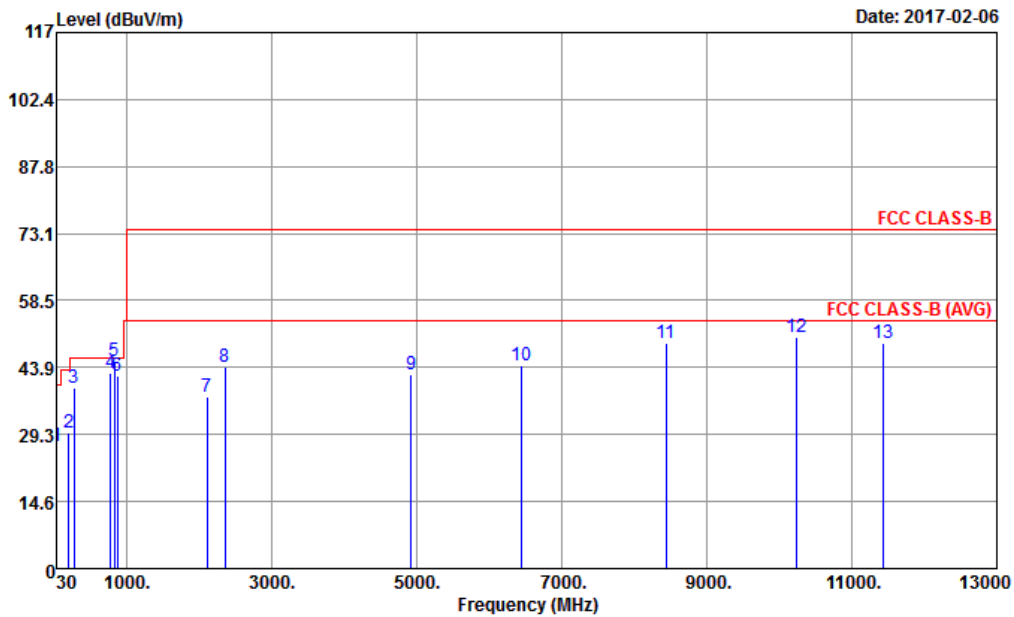
For radiated emissions above 1GHz





3.2.5. Test Result of Radiated Emission

Test Mode :	Mode 5	Temperature :	23~25°C
Test Engineer :	Jason Zeng	Relative Humidity :	48~52%
Test Distance :	3m	Polarization :	Horizontal
Function Type :	LTE Band 30 Idle + Bluetooth Idle + WLAN Idle + USB Cable (Data Link with Notebook) + Earphone + GPS Rx		
Remark :	#8 is system simulator signal which can be ignored.		

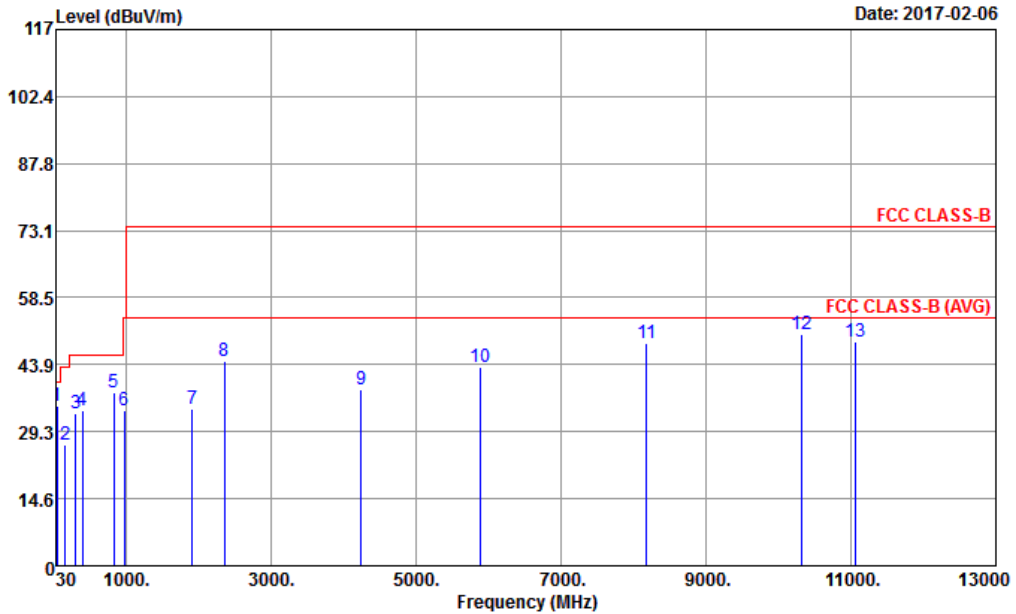


Site : 03CH03-SZ
 Condition : FCC CLASS-B 3m LF35408CBL6112D_6 HORIZONTAL
 Detector : Peak
 Project : (FC) 693006
 Mode : Mode 5
 IMEI : 863515031405916
 Plane : Z

	Freq	Level	Over Limit	Limit Line	ReadAntenna Level	Cable Factor	Preamp Loss	A/Pos	T/Pos	Remark	
	MHz	dBuV/m	dB	dBuV/m	dBuV	dB/m	dB	dB	cm	deg	
1	32.70	26.85	-13.15	40.00	32.57	25.44	0.62	31.78	---	---	Peak
2	199.56	29.55	-13.95	43.50	43.96	15.60	1.28	31.29	---	---	Peak
3	274.62	39.29	-6.71	46.00	50.58	18.54	1.50	31.33	---	---	Peak
4	775.30	42.66	-3.34	46.00	43.96	27.35	2.59	31.24	100	254	QP
5	825.00	45.23	-0.77	46.00	46.16	27.76	2.65	31.34	100	35	QP
6	874.70	42.20	-3.80	46.00	42.59	28.30	2.71	31.40	---	---	Peak
7	2104.00	37.45	-36.55	74.00	65.38	26.25	4.51	58.69	---	---	Peak
8	2356.00	44.09			70.75	27.13	4.82	58.61	---	---	Peak
9	4926.00	42.41	-31.59	74.00	62.74	31.19	7.00	58.52	---	---	Peak
10	6450.00	44.35	-29.65	74.00	60.34	34.04	8.36	58.39	---	---	Peak
11	8440.00	49.34	-24.66	74.00	59.78	37.18	9.79	57.41	---	---	Peak
12	10228.00	50.52	-23.48	74.00	60.48	38.43	10.57	58.96	200	150	Peak
13	11424.00	49.29	-24.71	74.00	58.82	39.12	11.08	59.73	---	---	Peak



Test Mode :	Mode 5	Temperature :	23~25°C
Test Engineer :	Jason Zeng	Relative Humidity :	48~52%
Test Distance :	3m	Polarization :	Vertical
Function Type :	LTE Band 30 Idle + Bluetooth Idle + WLAN Idle + USB Cable (Data Link with Notebook) + Earphone + GPS Rx		
Remark :	#8 is system simulator signal which can be ignored.		



Site : 03CH03-SZ
 Condition : FCC CLASS-B 3m LF35408CBL6112D_6 VERTICAL
 Detector : Peak
 Project : (FC) 693006
 Mode : Mode 5
 IMEI : 86351503140591e
 Plane : Z

	Freq	Level	Over Limit	Limit Line	ReadAntenna Level	Cable Factor	Preamp Loss	A/Pos	T/Pos	Remark	
	MHz	dBuV/m	dB	dBuV/m	dBuV	dB/m	dB	cm	deg		
1	44.31	34.76	-5.24	40.00	46.19	19.70	0.62	31.75	154	200 Peak	
2	156.63	26.42	-17.08	43.50	39.20	17.50	1.15	31.43	---	---	Peak
3	298.65	33.27	-12.73	46.00	43.94	19.08	1.60	31.35	---	---	Peak
4	399.40	33.76	-12.24	46.00	37.19	26.00	1.82	31.25	---	---	Peak
5	825.00	37.78	-8.22	46.00	38.71	27.76	2.65	31.34	---	---	Peak
6	978.30	34.05	-19.95	54.00	32.25	29.98	3.19	31.37	---	---	Peak
7	1910.00	34.08	-39.92	74.00	62.78	25.52	4.29	58.51	---	---	Peak
8	2356.00	44.75			71.41	27.13	4.82	58.61	---	---	Peak
9	4242.00	38.32	-35.68	74.00	61.59	30.15	6.52	59.94	---	---	Peak
10	5876.00	43.23	-30.77	74.00	62.53	32.61	7.87	59.78	---	---	Peak
11	8184.00	48.64	-25.36	74.00	59.57	37.07	9.68	57.68	---	---	Peak
12	10320.00	50.63	-23.37	74.00	60.50	38.55	10.57	58.99	100	200 Peak	
13	11070.00	48.93	-25.07	74.00	58.10	39.44	10.98	59.59	---	---	Peak



4. List of Measuring Equipment

Instrument	Manufacturer	Model No.	Serial No.	Characteristics	Calibration Date	Test Date	Due Date	Remark
EMI Receiver	R&S	ESC17	100724	9kHz~3GHz;	Oct. 11, 2016	Nov. 29, 2016	Oct. 10, 2017	Conduction (CO01-SZ)
AC LISN	EMCO	3816/2SH	00103892	9kHz~30MHz	Jan.12, 2016	Nov. 29, 2016	Jan. 11, 2017	Conduction (CO01-SZ)
AC LISN (for auxiliary equipment)	MessTec	3816/2SH	00103912	9kHz~30MHz	Jan.12, 2016	Nov. 29, 2016	Jan. 11, 2017	Conduction (CO01-SZ)
AC Power Source	Chroma	61602	616020000891	100Vac~250Vac	Jul. 16, 2016	Nov. 29, 2016	Jul. 15, 2017	Conduction (CO01-SZ)
Pulse Limiter	COM-POWER	LIT-153 Transient Limiter	53139	150kHz~30MHz	Oct. 11, 2016	Nov. 29, 2016	Oct. 10, 2017	Conduction (CO01-SZ)
EMI Test Receiver&SA	KEYSIGHT	N9038A	MY54450083	20Hz~8.4GHz	May 07, 2016	Feb. 06, 2017	May 06, 2017	Radiation (03CH03-SZ)
EXA Spectrum Analyzer	KEYSIGHT	N9010A	MY55150246	10Hz~44GHz	May 07, 2016	Feb. 06, 2017	May 06, 2017	Radiation (03CH03-SZ)
Bilog Antenna	TeseQ	CBL6112D	35408	30MHz~2GHz	May 21, 2016	Feb. 06, 2017	May 20, 2017	Radiation (03CH03-SZ)
Double Ridge Horn Antenna	SCHWARZBECK	BBHA9120D	9120D-1355	1GHz~18GHz	May 07, 2016	Feb. 06, 2017	May 06, 2017	Radiation (03CH03-SZ)
Amplifier	Burgeon	BPA-530	102210	0.01Hz~3000MHz	Oct. 11, 2016	Feb. 06, 2017	Oct. 10, 2017	Radiation (03CH03-SZ)
HF Amplifier	MITEQ	AMF-7D-0010 1800-30-10P-R	1943528	1GHz~18GHz	Oct. 11, 2016	Feb. 06, 2017	Oct. 10, 2017	Radiation (03CH03-SZ)
AC Power Source	Chroma	61601	616010001985	N/A	NCR	Feb. 06, 2017	NCR	Radiation (03CH03-SZ)
Turn Table	EM	EM1000	N/A	0~360 degree	NCR	Feb. 06, 2017	NCR	Radiation (03CH03-SZ)
Antenna Mast	EM	EM1000	N/A	1 m~4 m	NCR	Feb. 06, 2017	NCR	Radiation (03CH03-SZ)



5. Uncertainty of Evaluation

Uncertainty of Conducted Emission Measurement (150 kHz ~ 30 MHz)

Measuring Uncertainty for a Level of Confidence of 95% ($U = 2Uc(y)$)	2.5 dB
---	--------

Uncertainty of Radiated Emission Measurement (30 MHz ~ 1000 MHz)

Measuring Uncertainty for a Level of Confidence of 95% ($U = 2Uc(y)$)	5.1 dB
---	--------

Uncertainty of Radiated Emission Measurement (1GHz ~ 18GHz)

Measuring Uncertainty for a Level of Confidence of 95% ($U = 2Uc(y)$)	5.0 dB
---	--------