



WA-2200-C, WA-2200-C-1

802.11ac 2x2 Wave 2 Access Point,
In-Ceiling



BakPak
Lite

QUICK START GUIDE

WA-2200-C features

- 802.11ac 2x2 Wave 2 Access Point, In-Ceiling
- Built-in 2x2 internal antennas
- Powered by PoE (or 12VDC 1A power adapter, not included)
- 1 Gigabit LAN port
- BakPak Lite built in: Manage device from the standard BakPak interface
- For more detailed instructions, refer to the *WA-2200 User Guide* (pkdge.co/wa2200-ug).

System requirements

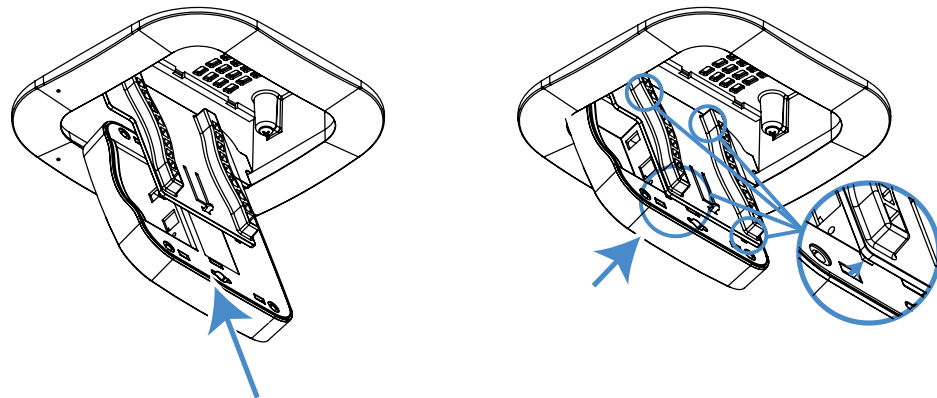
- Windows or Mac PC with an Ethernet interface

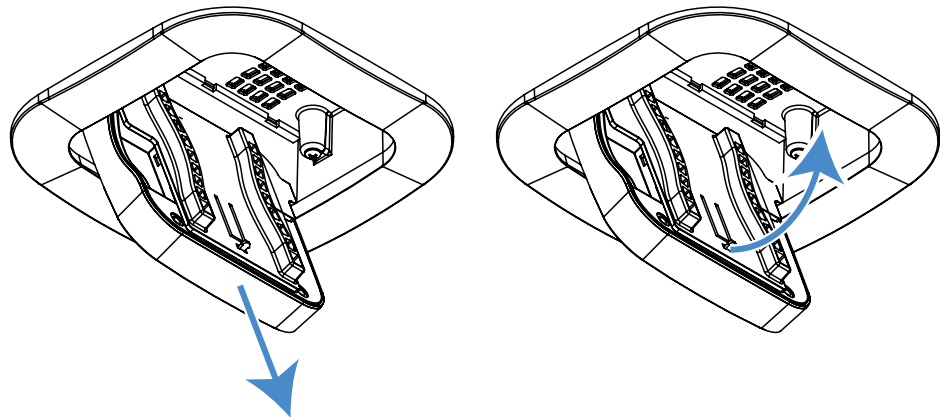
Default settings and credentials

- Operation mode: Access Point
- IP address: If no DHCP server is detected, the default IP address will be automatically set to **192.168.1.21**.
- Username/Password (default): **admin/password**
- SSIDs (default): **Pakedge-Main** (5 GHz), **Pakedge-Alt** (2.4 GHz), security/password: WPA2-PSK/**pakedgewireless**
- Guest SSIDs (default): **PakedgeGuest2.4** and **PakedgeGuest5**, security/password: WPA2/**pakedgeguest**
- Transmit power: Default is 13 dBm for 2.4 GHz and 18 dBm for 5 GHz.

Mounting into the bracket

- 1 Place the included template against the ceiling or wall at the desired location, then cut along the dotted line with a drywall saw.
- 2 To mount the access point into the bracket, review the visual guide that follows:





Powering up

The access point can be powered only by either PoE or the optional AC power adapter (not included).

To power up the access point:

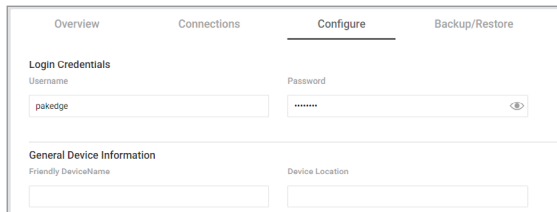
- 1 Connect power using a POE injector or POE switch, or with the optional AC power adapter (not included).

The access point should now be up and running with its default settings. It does not need to be configured to be functional. To make changes to the SSID and security settings, you need to access the AP's interface using a web browser.

Logging in to the access point

To log in to the access point:

- 1 Connect the access point to your PoE switch with an Ethernet cable.
- 2 Log in to your router to find the IP address assigned to the access point under the *DHCP Client Table*, then enter into a web browser (or click) that IP address to open the access point interface. The *Log In* page opens.
Tip: If you do not have a router in your network that distributes IP addresses, you can try to access the access point through its default IP address of **192.168.1.21**.
- 3 In the *username* box, type **admin**. In the *password* box, type **password**, then click **Log in**. The first time you log in, the *Configure* page opens.



The screenshot shows the 'Configure' tab of the access point's web interface. It features a 'Login Credentials' section with 'Username' (pre-filled with 'pakedge') and 'Password' (masked with dots) fields. Below this is a 'General Device Information' section with 'Friendly DeviceName' and 'Device Location' fields.

- 4 Enter and verify a new password (required) before continuing, then click **Apply** to complete the setup.

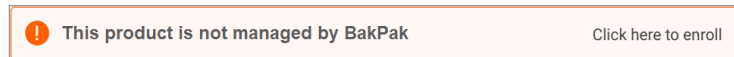
Caution: For international models, you must change the *Country Code* (a drop-down list defaulting to **GB - United Kingdom**), to the specific country of operation.

Registering your device with BakPak Lite

You can connect your access point to your existing BakPak account or create a new account to manage all of your BakPak network management agents.

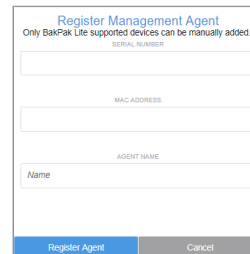
To register your device to your BakPak account:

- 1 In the device's *Connections* tab, to the right of the "This product is not managed by BakPak" message, click **Click here to enroll**.



The *BakPak Registration* page opens.

- 2 Follow the on-screen instructions to complete your device registration.



The screenshot shows the 'Register Management Agent' form. It includes a title, a note that only supported devices can be manually added, and three input fields labeled 'SERIAL NUMBER', 'MAC ADDRESS', and 'AGENT NAME'. The 'AGENT NAME' field has a 'Name' placeholder. At the bottom, there are two buttons: 'Register Agent' (blue) and 'Cancel' (grey).

Adding more WA Series APs to the BakPak site

To manage and set up more than one WA-2200, a BakPak site must be created to manage them as a group.

To create a BakPak site:

- 1 Log in to your BakPak account, then click **Add Site** to create a site.
- 2 In the *Management Agent* list, select the first WA-2200, complete the site information, then click **OK**.

Add management agent site

Complete the basic information about this site. Note that a Management agent is the network device which hosts BakPak, such as an RK-1, or an NK-1. When you are finished, click "Next" and BakPak will then scan and detect all the devices on that site.

MANAGEMENT AGENT

George WA-2200 90

SITE NAME *

SITE ADDRESS

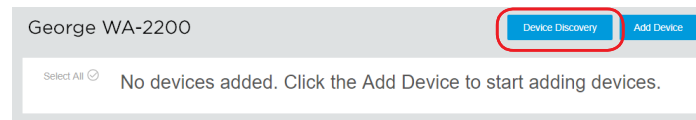
DEVICE NAME * DEVICE LOCATION

The site is created, and the WA-2200 will act as the “master AP” for adding more WA Series APs to the site.

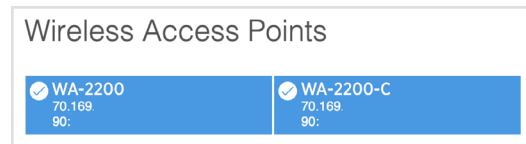
Adding WA Series APs to the site

To add APs and provision them with the existing configuration:

- 1 Make sure that the first AP is already configured, and that the additional APs are turned on for at least five minutes and connected to your network.
- 2 In BakPak, select the new WA-2200 site, then click **Device Discovery**.



Any additional WA Series APs are discovered and appear as tiles that can be selected (already selected by default).



- 3 Click **OK**. The APs are added to the site.
- 4 To apply the first AP's settings to the new APs, in the BakPak site select the first AP you set up (on the previous page), then complete the site information and click **Save & Apply Multiple** at the bottom. The settings are copied to the APs.

Technical Support

For technical help:
www.pakedge.com/portal
support@pakedge.com
(650) 385-8703

For regulatory information:
www.pakedge.com/regulatory



11734 S. Election Road
Draper, UT 84020
Main: (650) 385-8700 Fax: (650) 685-5520

www.pakedge.com
sales@pakedge.com
©2018 Control4. All rights reserved.

Latest version at
pkdge.co/wa2200c-qsg



200-00577-B 2018-12-04 MS