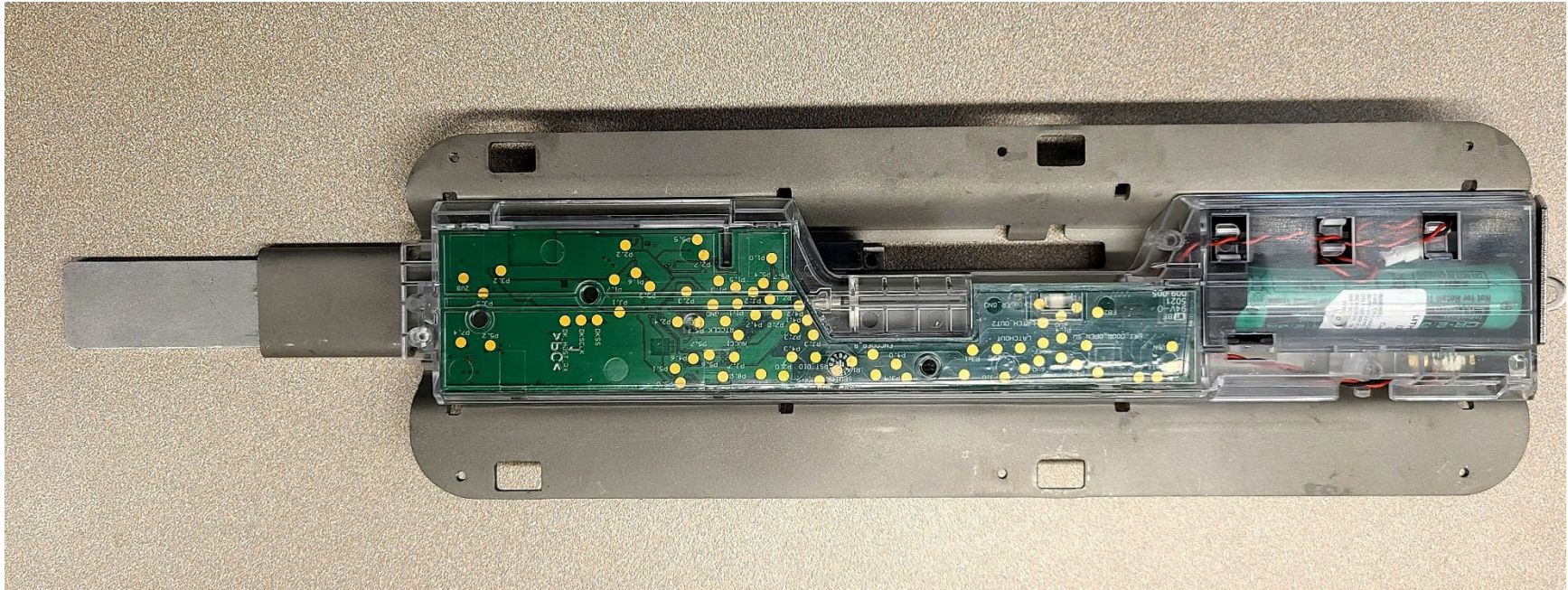


## Internal Photos



**Photo 1 – Top Metal Plate Removed**



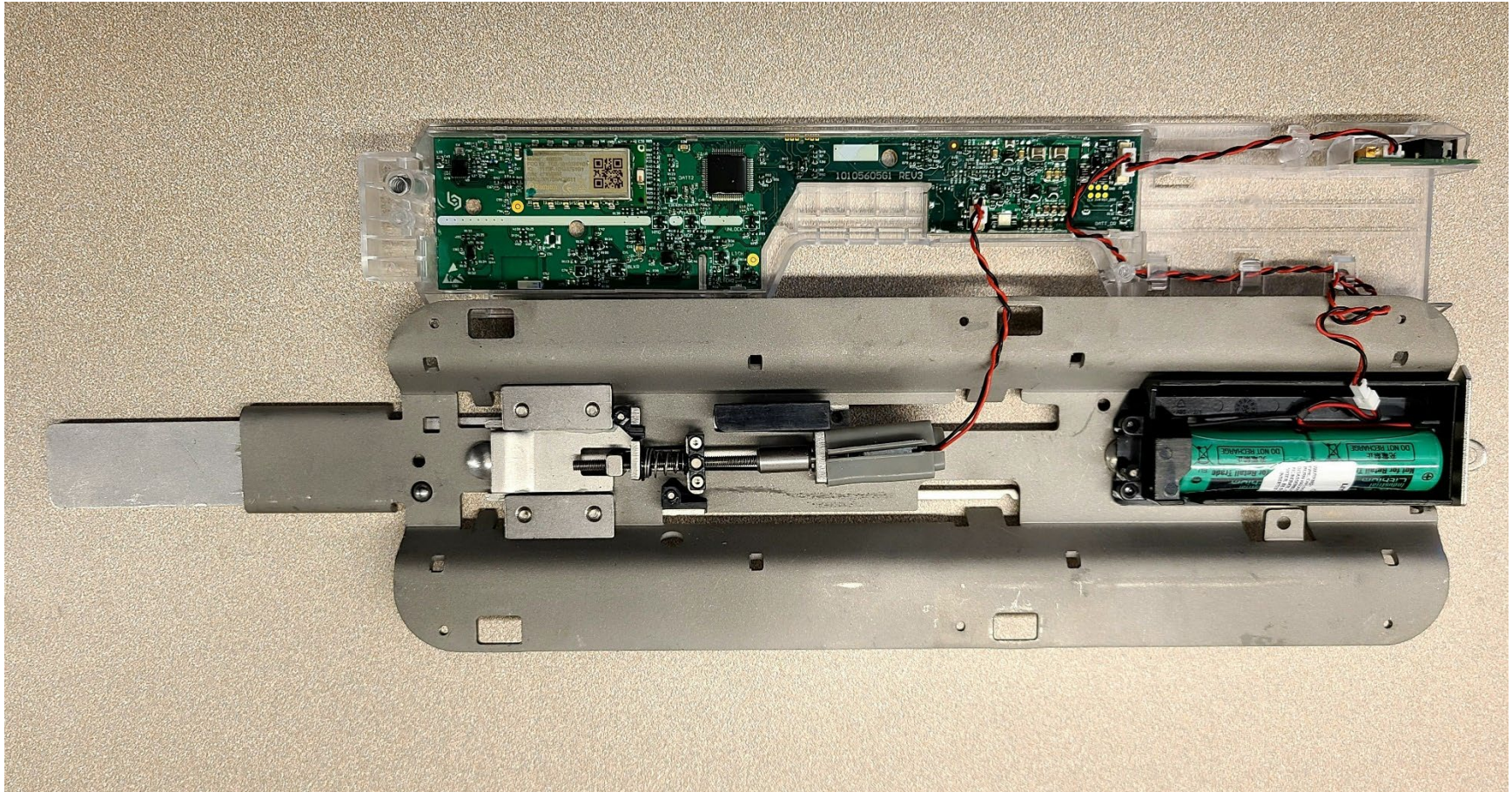


Photo 2 – Plastic & PCB Moved



- LoRa Crystal (Q6)
- LoRa Radio (U9)
- Bluetooth Module (U6)
- Bluetooth Antenna (J1)

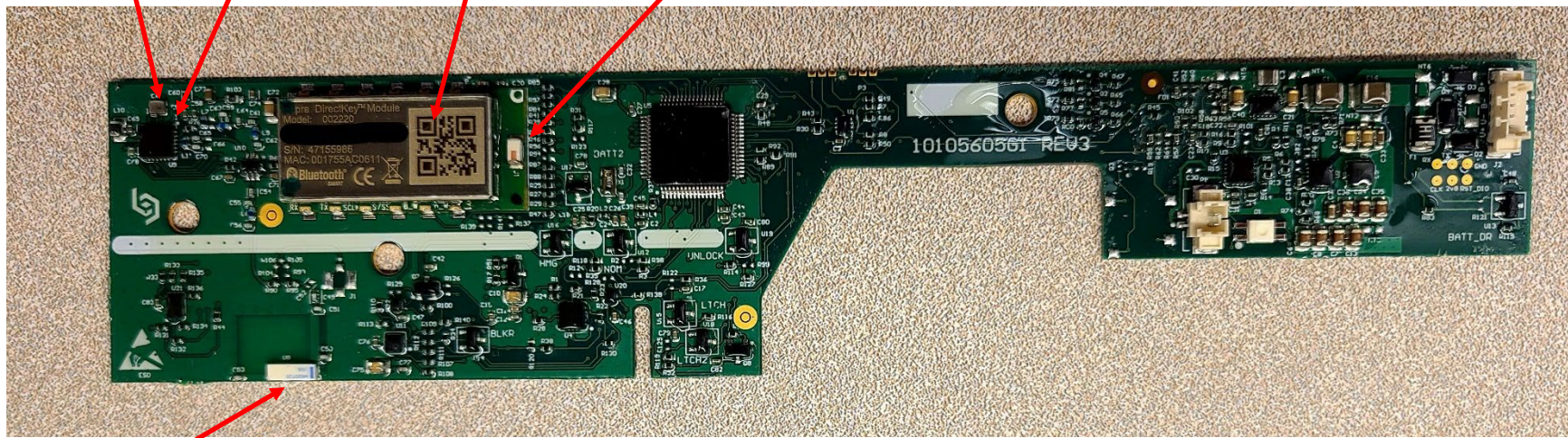


Photo 3 – PCB Top View

- LoRa Antenna (U8)

LoRa  
Crystal  
(Q6)

LoRa  
Radio  
(U9)

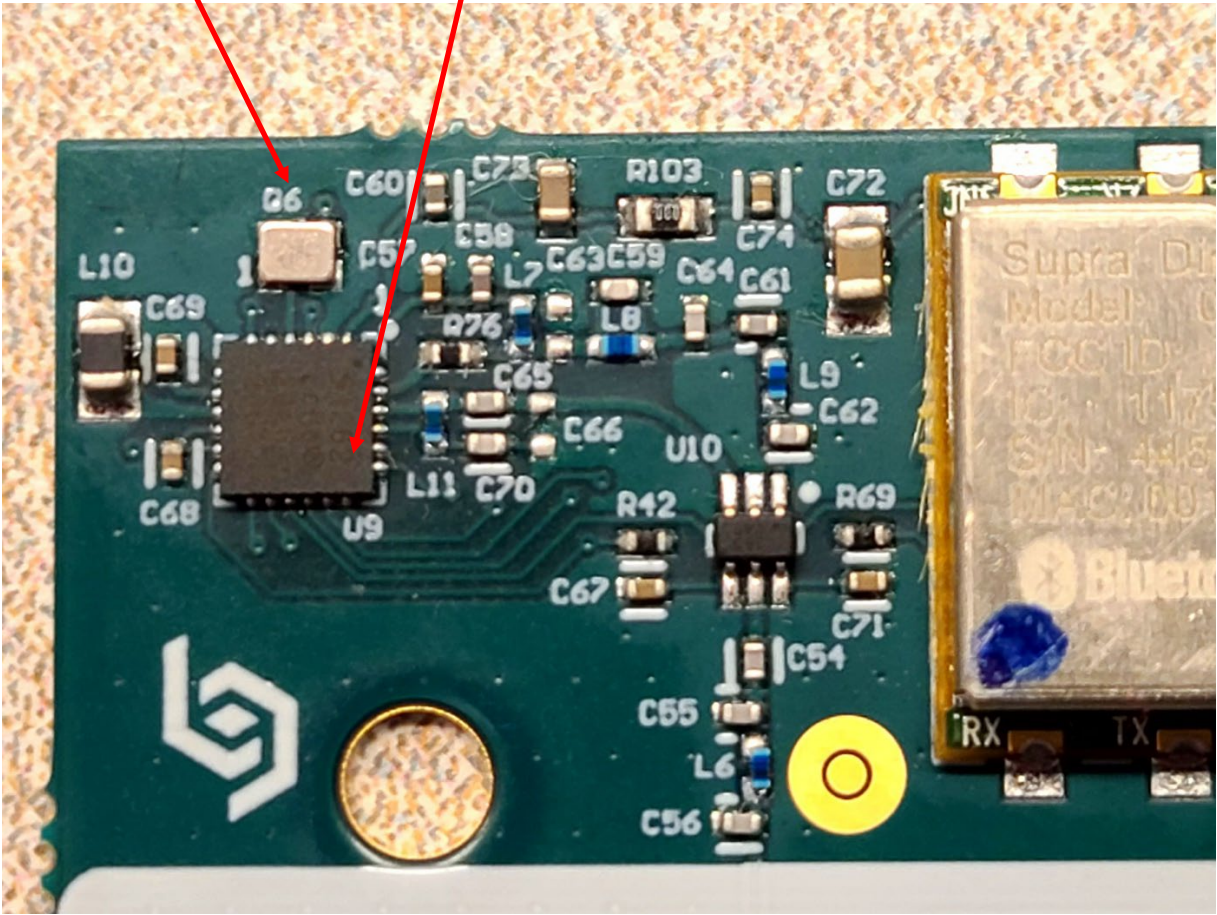
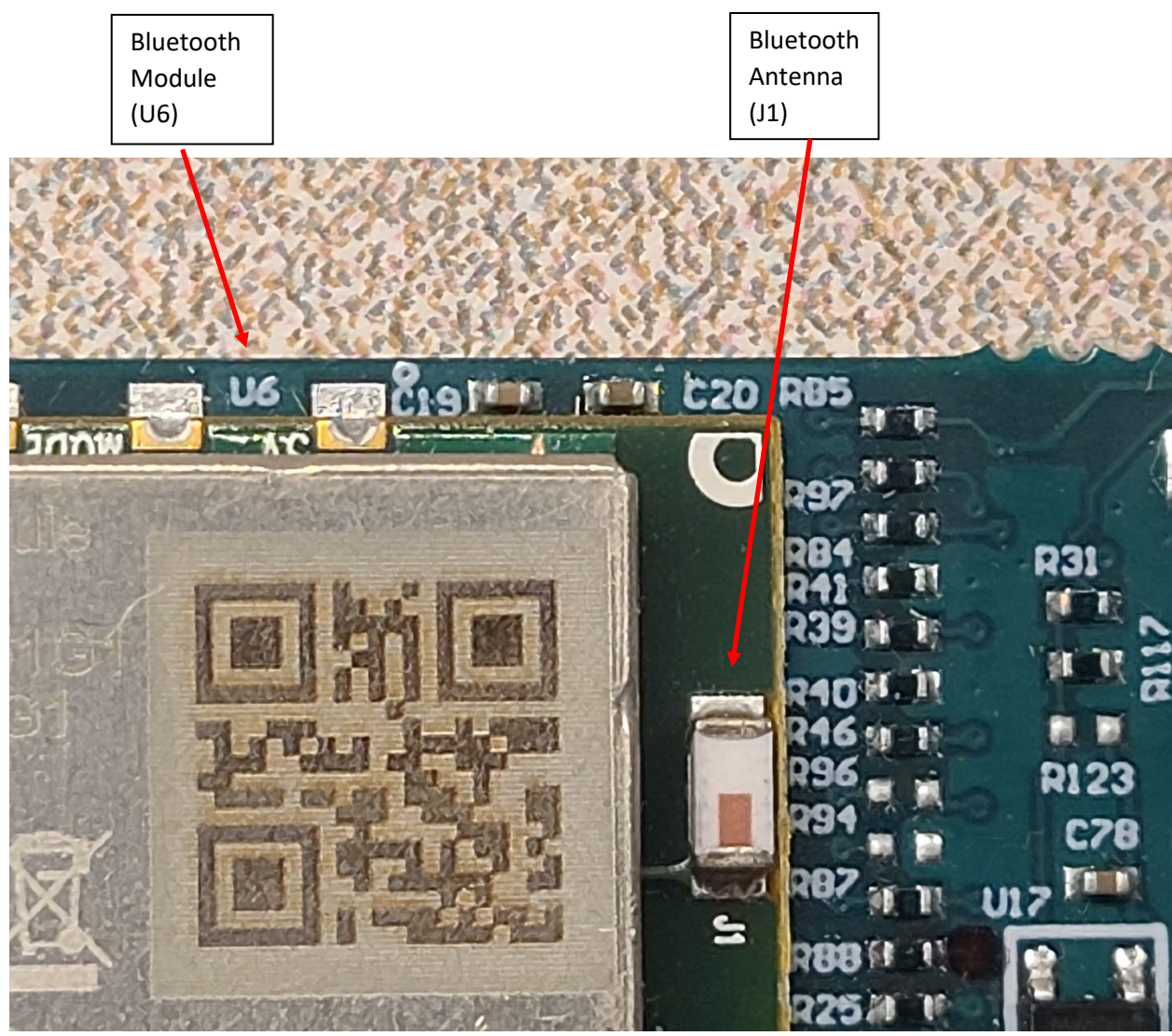


Photo 4 – Closeup of LoRa Crystal and Radio

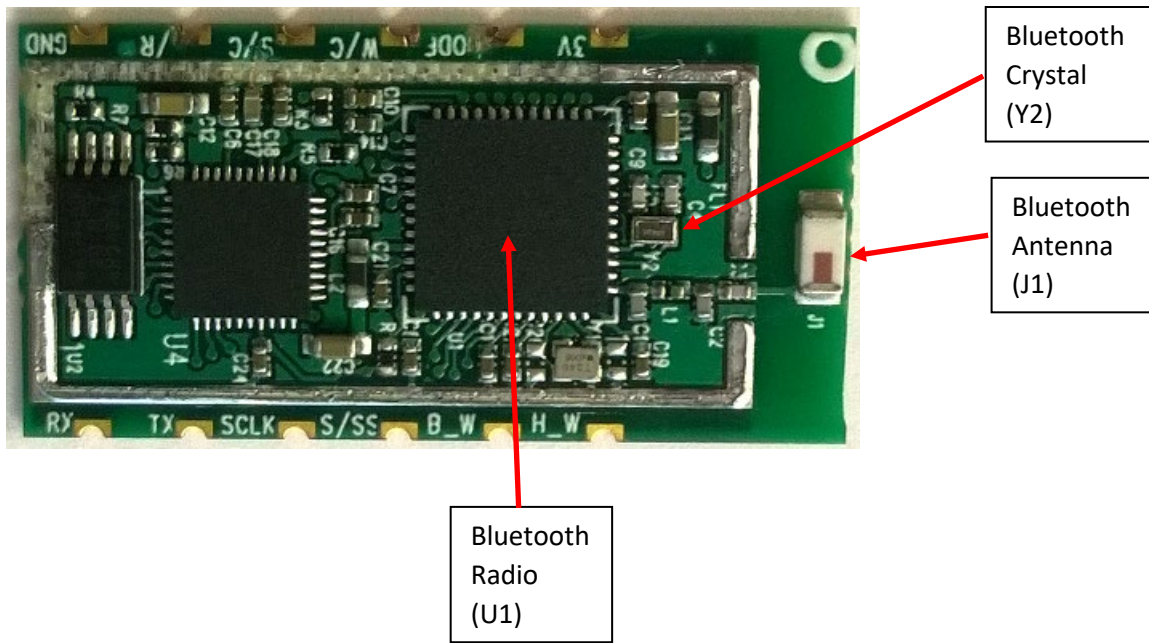




Bluetooth  
Module  
(U6)

Bluetooth  
Antenna  
(J1)

Photo 5 – Closeup of Bluetooth module, including Antenna



**Photo 6 – Bluetooth Module, shield removed**