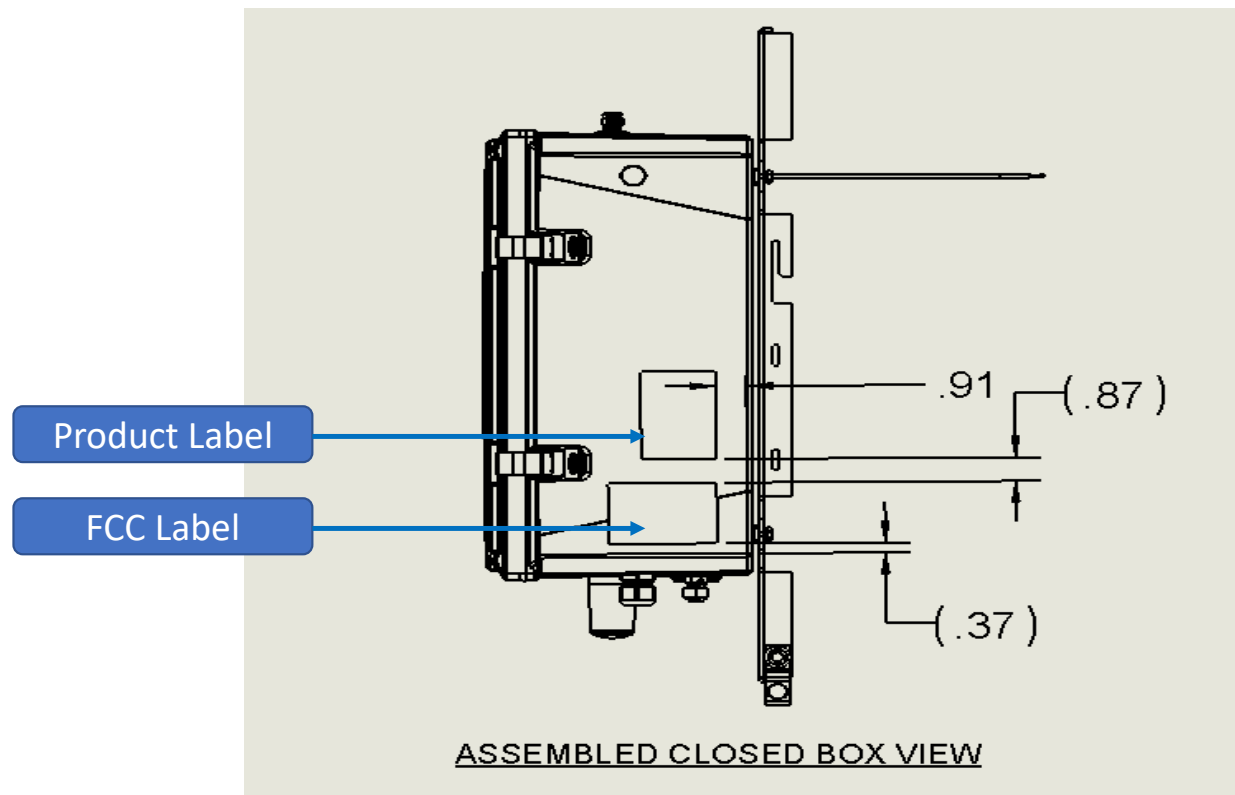
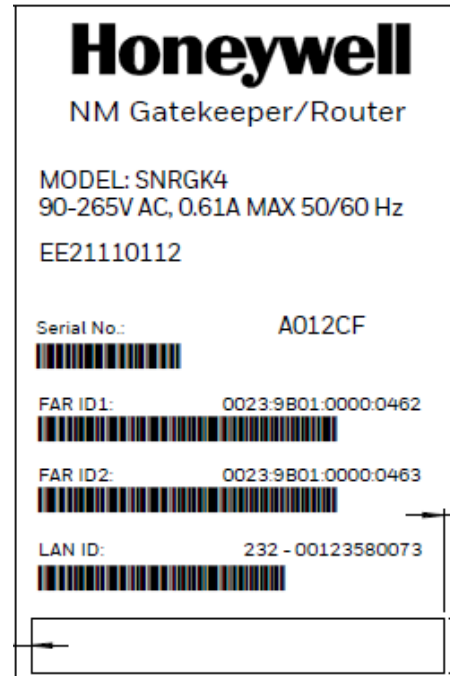


# Product & FCC Label location



# Product Label



# FCC ID Label on Enclosure

Model: SNRGK4

Contains FCC ID: QZC-SNRGK4

Contains IC ID: 4557A-SNRGK4

THIS DEVICE COMPLIES WITH PART 15 OF THE FCC RULES.  
OPERATION IS SUBJECT TO THE FOLLOWING TWO CONDITIONS:  
(1) THIS DEVICE MAY NOT CAUSE HARMFUL INTERFERENCE, (2) THIS  
DEVICE MUST ACCEPT ANY INTERFERENCE RECEIVED, INCLUDING  
INTERFERENCE THAT MAY CAUSE UNDESIRE OPERATION.