

Water 4.0 module

Installation instructions

IL42-5016F

GENERAL

This leaflet contains instructions for the Honeywell Water 4.0 module for use on water meters to provide readings to the EnergyAxis® and SynergyNet systems. For proper installation and maximum life of the modules, use the following procedures.

The Honeywell Water 4.0 module can be installed as a wall or pipe mount. Honeywell also provides a pit mount version of the Water 4.0 module. The wall mount is mounted to a mostly flat surface such as a wall or other surface. See “Wall mount” on page 2 for specific instructions. The pipe mount consists of hardware to mount the module to a pipe. See “Pipe mount” on page 3 for specific instructions.

Familiarize yourself with the location and identification of the terminals on your water meter registers before any installation procedure.

RADIO COMMUNICATIONS PERFORMANCE & MOUNTING

The Honeywell Water 4.0 module is designed to provide excellent radio communications performance when it is mounted such that the front surface arrows point up. Alternate mounting orientations may impair radio communications performance.

All Water modules are shipped with their radio in a deep sleep mode. To activate the radio and program the register interface, use Honeywell’s Installer software.

CONNECTION INSTRUCTIONS

The Honeywell Water 4.0 module register connections are as follows:

Function	Module cable color	Register terminal color				
		Honeywell	Badger	Sensus	Mueller	Neptune
Data	Green	Green	Green	Green	Green	Red
Power (or power/clock)	Red	Red	Red	Red	Red	Black
Common (ground)	Black	Black	Black	Black	Black	Green

For pulse (incremental) encoders, use the following register connections:

Function	Module cable color	Badger (3-wire)	Badger (2-wire)	Honeywell AMCO digital
Common (ground)	Black	Black	Black	Red
Pulse output	Green	Red	Red	Black
Tamper	Red	Green/Bare	—	Green

REMOTE INSTALLATION INSTRUCTIONS

WALL MOUNT

The Honeywell Water 4.0 module can be mounted on a wall close to the water meter. To assist placing the enclosure on the hanging screw, the enclosure has hash marks that will help you properly align the module.

The cable from the Honeywell Water 4.0 module and the water meter register should not exceed 100 feet (30 meters).

- 1 Remove the remote mount cover from the Honeywell Water 4.0 module.

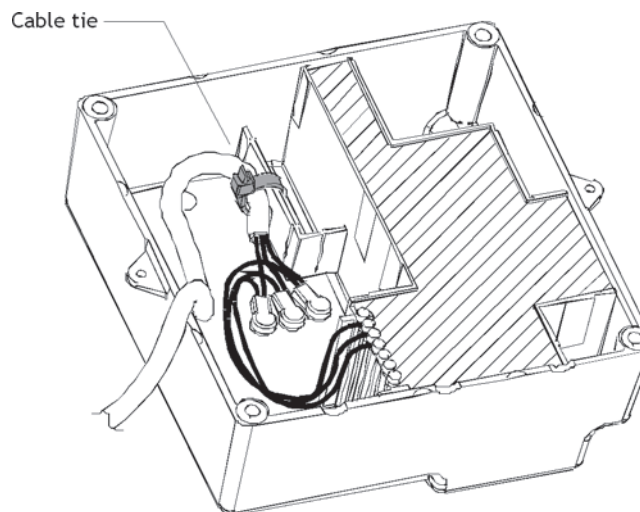


CAUTION

Be sure to connect the cables correctly. Failing to properly connect the cables may prevent the module from installing correctly. For information on proper connections, see "Connection instructions" on page 1.

- 2 For proper operation of the module, connect the cables as described in "Connection instructions" on page 1.
 - If you do not have an inline connector, splice the cables from the Honeywell Water 4.0 module to the water meter register cable using weatherproof gel caps (for example, 3M style UY2 IDC). Be sure to follow the manufacturer's directions for wire preparation when using gel caps.

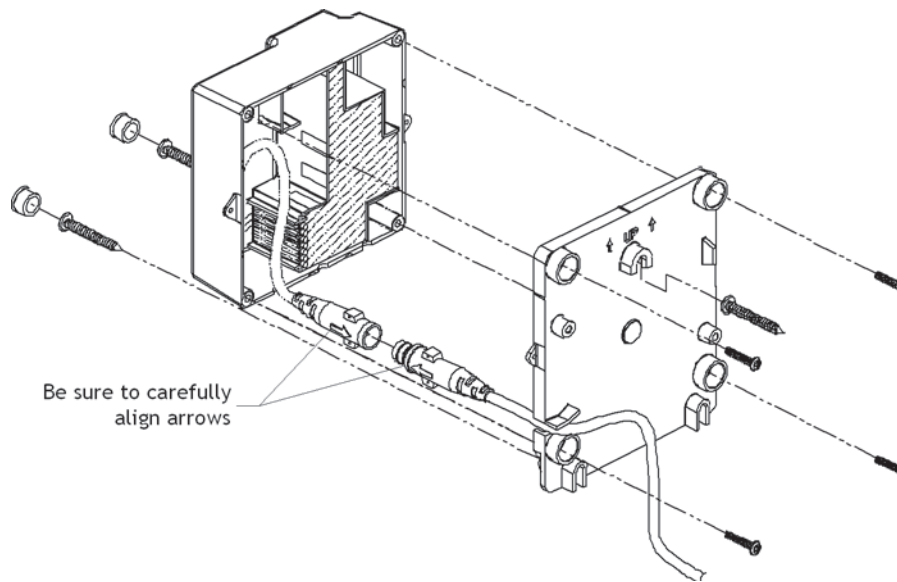
Insert the cable back into the Honeywell Water 4.0 module, making sure to provide strain relief for the cable. Be sure to securely fashion the cable by using the cable tie, as illustrated in the next figure.



CAUTION

Be sure that the arrows are as closely aligned as possible before mating. Failing to properly align the arrows may result in damage to the connector, requiring a replacement of either the connector or the module itself.

- If you have an inline connector, align the arrows on both connector ends. Press firmly to fully mate the connectors (see next figure).



- 3 Reattach the remote mount cover to the Honeywell Water 4.0 module.
- 4 Hang the Honeywell Water 4.0 module on the hanger screw, making sure it is level.
- 5 Screw 2 screws into the 2 bottom supporting screw mounts.
- 6 Using the table in “Connection instructions” on page 1, connect the appropriate wires to the correct terminals on the water meter register. Typically, the connection is made by placing the wire under the screw terminal and tightening down securely. See the product documentation for your water meter register for more information.
- 7 When you have completed the installation, secure the Honeywell Water 4.0 enclosure by inserting the tamper plugs into bottom supporting screw mounts.

PIPE MOUNT

The Honeywell Water 4.0 module can be mounted on a pipe close to the water meter. The pipe mounting option uses a hose clamp and mounting bracket to attach the Honeywell Water 4.0 module to a pipe.

The cable from the Honeywell Water 4.0 module to the water meter register should not exceed 100 feet (30 meters).

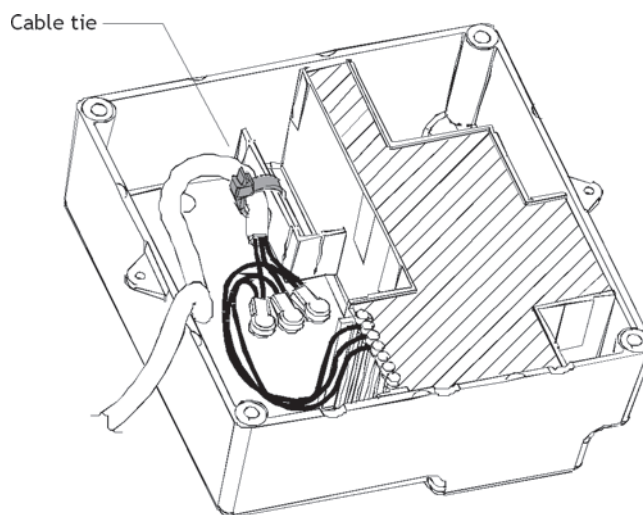
- 1 Remove the remote mount cover from the Honeywell Water 4.0 module.
- 2 Align the mounting bracket to the remote mount cover and secure the mounting bracket with screws.

CAUTION

Be sure to connect the cables correctly. Failing to properly connect the cables may prevent the module from installing correctly. For information on proper connections, see “Connection instructions” on page 1.

- 3 For proper operation of the module, connect the cables as described in “Connection instructions” on page 1.
 - If you do not have an inline connector, splice the cables from the Honeywell Water 4.0 module to the water meter register cable using weatherproof gel caps (for example, 3M style UY2 IDC). Be sure to follow the manufacturer’s directions for wire preparation when using gel caps.

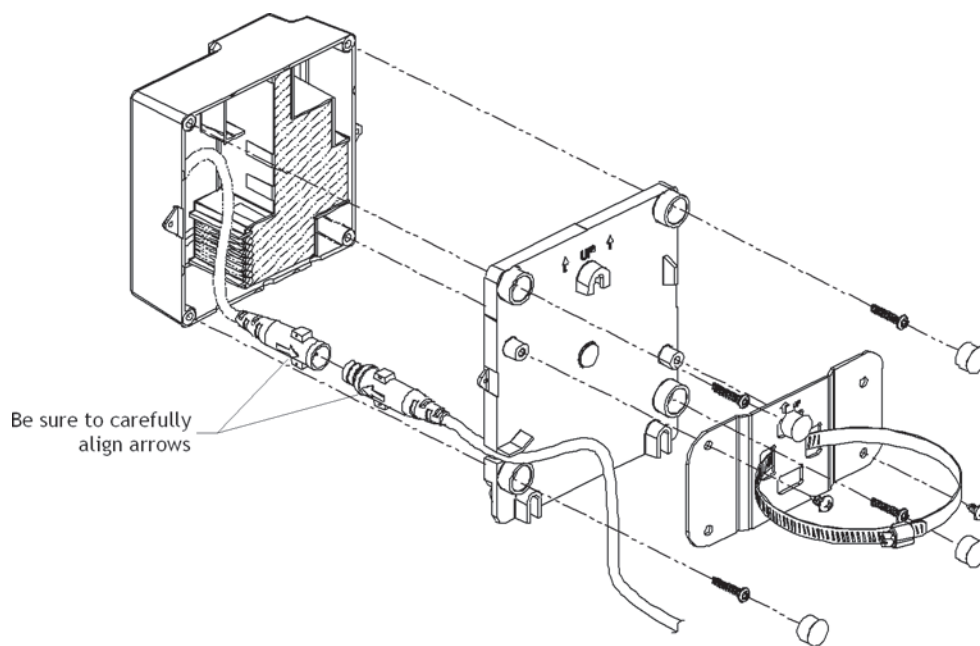
Insert the cable back into the Honeywell Water 4.0 module, making sure to provide strain relief for the cable. Be sure to securely fashion the cable by using the cable tie, as illustrated in the next figure.



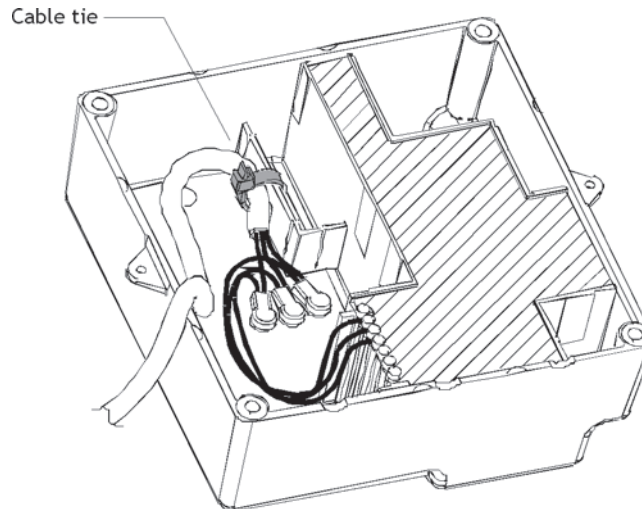
⚠ CAUTION

Be sure that the arrows are as closely aligned as possible before mating. Failing to properly align the arrows may result in damage to the connector, requiring a replacement of either the connector or the module itself.

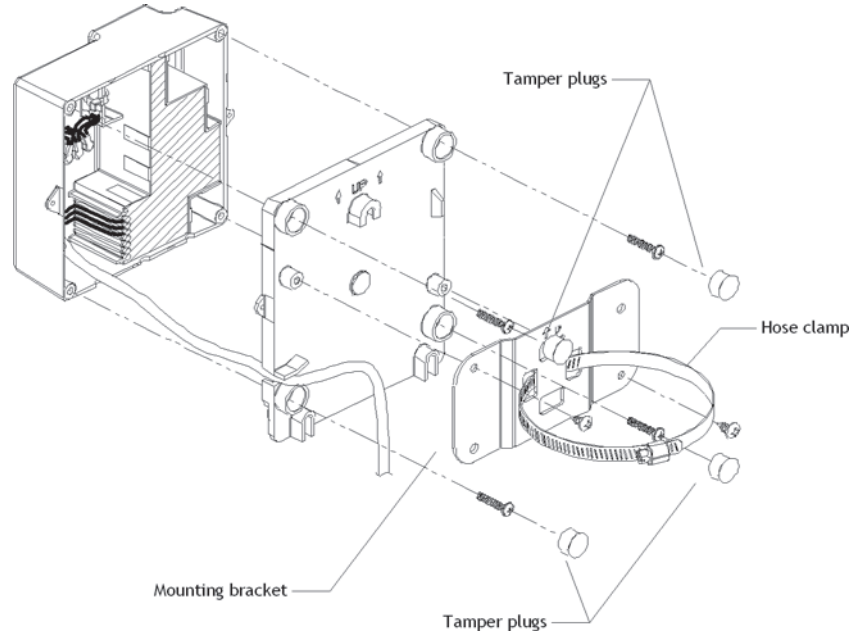
- If you have an inline connector, align the arrows on both connector ends. Press firmly to fully mate the connectors (see next figure).



- 4 Insert the cable back into the Honeywell Water 4.0 module, making sure to provide strain relief for the cable. Be sure to securely fashion the cable by using the cable tie as illustrated in the next figure.



- 5 Reattach the remote mount cover to the Honeywell Water 4.0 module.
- 6 Thread the pipe hose clamp through the slot of the mounting bracket
- 7 Mount and secure the Honeywell Water 4.0 module to the pipe.
- 8 Using the table in "Connection instructions" on page 1, connect the appropriate wires to the correct terminals on the water meter register. Typically, the connection is made by placing the wire under the screw terminal and tightening down securely. See the product documentation for your water meter register for more information.
- 9 When you have completed the installation, secure the Honeywell Water 4.0 enclosure by inserting the tamper plugs into tamper plug mounts.



FCC & INNOVATION, SCIENCE AND ECONOMIC DEVELOPMENT CANADA COMPLIANCE

The radio module is inserted into the housing of the device at manufacture. It has no user serviceable parts.

User Information (Part 15.105): This equipment has been tested and found to comply with the limits for a Class B digital device, pursuant to part 15 of the FCC Rules. These limits are designed to provide reasonable protection against harmful interference in a residential installation. This equipment generates, uses and can radiate radio frequency energy and, if not installed and used in accordance with the instructions, may cause harmful interference to radio communications. However, there is no guarantee that interference will not occur in a particular installation. If this equipment does cause harmful interference to radio or television reception, which can be determined by turning the equipment off and on, the user is encouraged to try to correct the interference by one or more of the following measures:

- reorient or relocate the receiving antenna
- increase the separation between the equipment and the receiver
- connect the equipment into an outlet on a circuit different from that to which the receiver is connected
- consult the dealer or an experienced radio/TV technician for help

If you experience trouble with this equipment, please use the Return Material Request (RMR) feature available at the Online Customer Services at www.elstersolutions.com. Do not attempt to repair this equipment itself unless you are replacing the entire module.

Compliance Statement (FCC Part 15.19 and ISED Canada): This device complies with Part 15 of the FCC Rules and with ISED Canada license-exempt RSS standard(s). Operation is subject to the following two conditions: 1) This device may not cause harmful interference, and 2) This device must accept any interference received, including interference that may cause undesired operation.

Énoncé de Conformité: Cet appareil est conforme à la Partie 15 des règles de la FCC et aux CNR d'ISED Canada applicables aux appareils radio exempts de licence. L'utilisation de cet appareil est soumise aux deux conditions suivantes : (1) Cet appareil ne doit pas provoquer d'interférences nocives et (2) cet appareil doit accepter toutes les interférences reçues notamment celles pouvant provoquer un fonctionnement intempestif de l'appareil.

Warning (Part 15.21): Changes or modifications not expressly approved by Honeywell could void the user's authority to operate the equipment.

RF Radiation Safety Guidelines: This equipment complies with FCC radiation exposure limits set forth for an uncontrolled environment. This equipment should be installed and operated to provide a separation distance of at least 28 cm from all persons.

Directives de Sécurité de Radiofréquence: Cet équipement est conforme aux limites d'exposition aux radiations définies par la Commission Fédérale des Communications (FCC) pour un environnement non contrôlé. Cet équipement doit être installé et utilisé à une distance d'au moins 28 cm de séparation de toutes personnes.

Collocation Statement: This transmitter must not be co-located or operating in conjunction with any other antenna or transmitter.

Déclaration de Co-localisation: Cet émetteur ne doit pas être co-localisé ou opérant en conjonction avec aucune autre antenne ou transmetteur.

ISED Canada ICES-003 Compliance Label: CAN ICES-3 (B)/NMB-3(B)

DISPOSAL INFORMATION

This product contains electronics components which should be disposed of in accordance with applicable regulations.

DISCLAIMER OF WARRANTIES AND LIMITATIONS OF LIABILITY

There are no understandings, agreements, representations, or warranties either express or implied, including warranties of merchantability or fitness for a particular purpose, other than those specifically set out by any existing contract between the parties. Any such contract states the entire obligation of the seller. The contents of this document shall not become part of or modify any prior existing agreement, commitment, or relationship.

The information, recommendations, descriptions, and safety notices in this document are based on Honeywell International Inc. experience and judgment with respect to operation and maintenance of the described product. This information should not be considered as all-inclusive or covering all contingencies. If further information is required, Honeywell International Inc. should be consulted.

No warranties, either expressed or implied, including warranties of fitness for a particular purpose or merchantability, or warranties arising from the course of dealing or usage of trade, are made regarding the information, recommendations, descriptions, warnings, and cautions contained herein.

In no event will Honeywell International Inc. be responsible to the user in contract, in tort (including negligence), strict liability or otherwise for any special, indirect, incidental, or consequential damage or loss whatsoever, including but not limited to: damage or loss of use of equipment, cost of capital, loss of profits or revenues, or claims against the user by its customers resulting from the use of the information, recommendations, descriptions, and safety notices contained herein.

© 2018 by Honeywell International Inc. All rights reserved.