

REX™ Meter Installation Instructions

General

This leaflet contains installation instructions for the REX single phase electronic watt-hour meter with the following form factors:

- self-contained: Forms 1S and 2S
- transformer-rated: Forms 3S and 4S

All meters are calibrated and sealed before shipment. For proper installation, accuracy, and maximum life of the meters, use the following procedures.

▲ WARNING

Use authorized utility procedures to install and service metering equipment. Dangerous voltages are present. Equipment damage, personal injury, or death can result if safety precautions are not followed.

Installing the REX Meter

- 1 Make sure the meter to be installed matches service type (that is, form), current class, capacity required, and service socket.
- 2 Check the socket and verify that the wiring is correct. See Figure 1 for self-contained meters and Figure 2 for transformer-rated meters.
- 3 Make sure that the voltage disconnect or test link on the back of the meter is closed, if installed.
- 4 Line up the meter blades to the socket jaws and rock the meter into place. Make sure that the meter is in the upright position.
- 5 Make sure the LCD turns on and the energy use indicator arrow flashes if load is present.

If load is applied, check that the pulse arrows on the LCD are blinking. The LCD has 2 pulse arrows. The arrow pointing to the left indicates energy received; the arrow pointing to the right indicates energy delivered. For more information, see the technical manual for your meter.

- 6 Apply all seals and record any necessary information.

FCC and Industry Canada Compliance

Compliance Statement (Part 15.19): The REX meter complies with Part 15 of the FCC Rules and with RSS-210 of Industry Canada. Operation is subject to the following two conditions: 1) This device may not cause harmful interference, and 2) This device must accept any interference received, including interference that may cause undesired operation.

Warning (Part 15.21): Changes or modifications not expressly approved by Elster Electricity, LLC could void the user's authority to operate the equipment.

RF Radiation Safety Guidelines per Part 2 of FCC Rules and Regulations: The meter should be installed in a location where there will be a separation greater than 20 cm from locations occupied by humans.

User Information (Part 15.105): The REX meter has been tested and found to comply with the limits for a Class B digital device, pursuant to part 15 of the FCC Rules. These limits are designed to provide reasonable protection against harmful interference in a residential installation. This equipment generates, uses and can radiate radio frequency energy and, if not installed and used in accordance with the instructions, may cause harmful interference to radio communications. However, there is no guarantee that interference will not occur in a particular installation. If this equipment does cause harmful interference to radio or television reception, the user is encouraged to try to correct the interference by one or more of the following measures:

- Reorient or relocate the receiving antenna.
- Move the receiving equipment farther away from the REX meter.
- Consult the dealer or an experienced radio/TV technician for help.

Industry Canada Statement: The term "IC" before the certification/registration number only signifies that the Industry Canada technical specifications were met.

Elster Electricity, LLC

Raleigh, North Carolina USA
 +1 800 338 5251 (US Technical Support)
 +1 800 257 9754 (US Sales Support)
 +1 919 212 4800 (US Main Telephone)
 +1 905 634 4895 (Canada Telephone)
 support@us.elster.com
 www.elsterelectricity.com



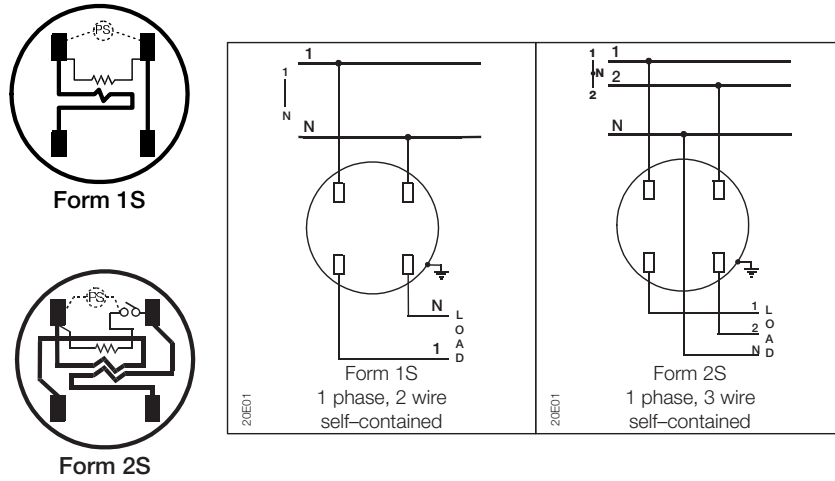


Figure 1. Self-contained meters and socket wiring (front view)

⚠ WARNING

Use circuit-closing devices on current transformer secondaries used with Form 3S and 4S meters. Dangerous currents and voltages are present. Equipment damage, personal injury, or death can result if circuit-closing devices are not used.

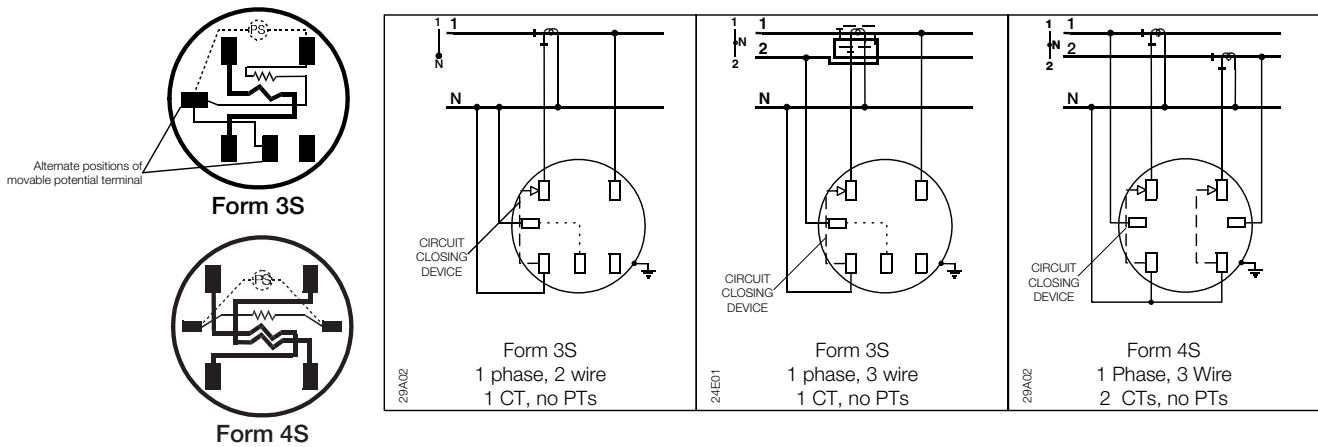


Figure 2. Transformer-rated meters and socket wiring (front view)

DISCLAIMER OF WARRANTIES AND LIMITATIONS OF LIABILITY

There are no understandings, agreements, representations, or warranties either express or implied, including warranties of merchantability or fitness for a particular purpose, other than those specifically set out by any existing contract between the parties. Any such contract states the entire obligation of the seller. The contents of this document shall not become part of or modify any prior existing agreement, commitment, or relationship.

The information, recommendations, descriptions, and safety notices in this document are based on Elster Electricity, LLC experience and judgment with respect to operation and maintenance of the described product. This information should not be considered as all-inclusive or covering all contingencies. If further information is required, Elster Electricity, LLC should be consulted.

No warranties, either expressed or implied, including warranties of fitness for a particular purpose or merchantability, or warranties arising from the course of dealing or usage of trade, are made regarding the information, recommendations, descriptions, warnings, and cautions contained herein.

In no event will Elster Electricity, LLC be responsible to the user in contract, in tort (including negligence), strict liability or otherwise for any special, indirect, incidental, or consequential damage or loss whatsoever, including but not limited to: damage or loss of use of equipment, cost of capital, loss of profits or revenues, or claims against the user by its customers resulting from the use of the information, recommendations, descriptions, and safety notices contained herein.

