

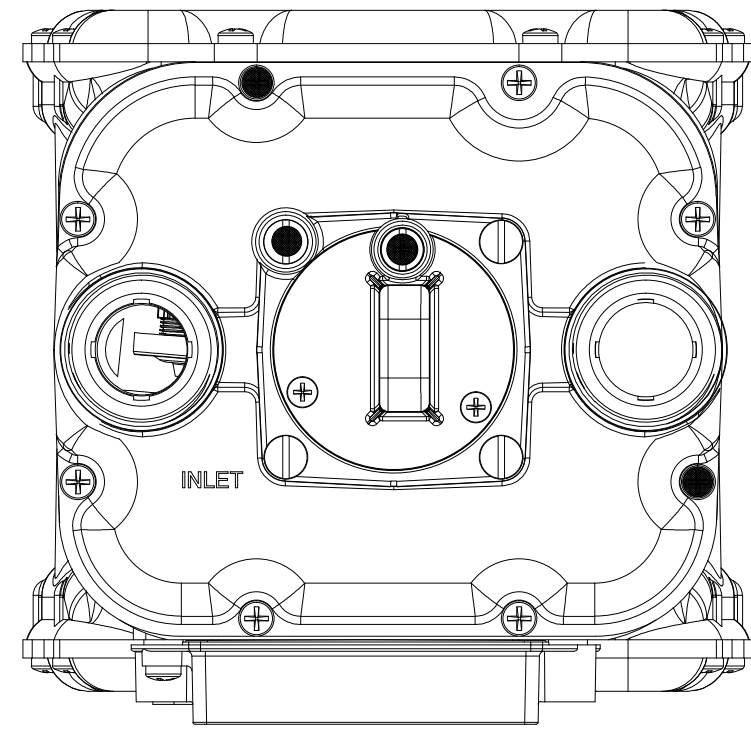
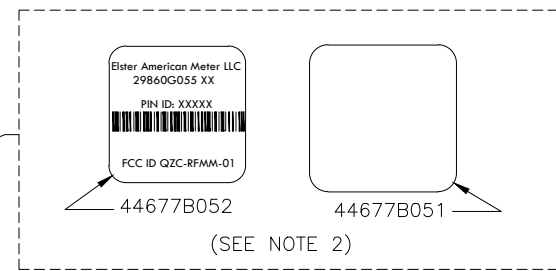
Label location:



STANDARD SEALING METHOD
 AC-250 RMD METERS
 STANDARD SECURITY SEALS

● SECURITY SEALS.....52548P012...(QTY 6)

- NOTES:
 1. BAR CODE LABEL SUPPLIED BY EAM.
 2. PLACE OVERLAY (44677B051) OVER THE
 BARCODE LABEL (44677B052)



TOP

This device complies with Part 15 of the FCC Rules. Operation is subject to the following two conditions:
 1) This device may not cause harmful interference, and
 2) This device must accept any interference received, including interference that may cause undesired operation.

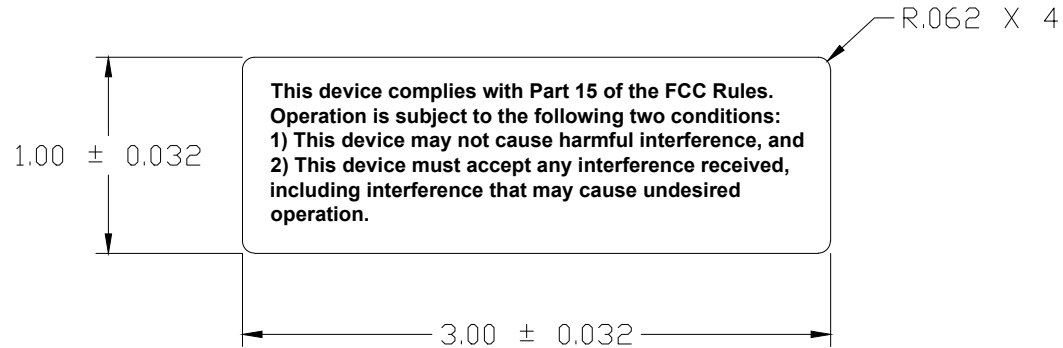
52810 SH1. 519

BILL OF MATERIALS

| PART NUMBER | DESCRIPTION | QTY |
|-------------|----------------------------|-----|
| 10347P173 | SCREW - TOP, HHC, & COVERS | 8 |
| 10347P174 | SCREW - INDEX BOX | 4 |
| 43393P099 | SCREW - INDEX | 2 |
| 52548P012 | SECURITY SEALS | 6 |
| 44677B051 | LABEL - OVERLAY | 1 |
| 44677B052 | LABEL - BARCODE | 1 |
| 44677B132 | LABEL - FCC COMPLIANCE | 1 |

| | | | | | | | |
|---------------------------|----------------|------|--------|---|------------------------------------|--|-----------------------------|
| 4 | JFH 6/XX/16 | DCR | 104528 | AMCO LICENSE'S NC | THIRD<PROJ. | NEBRASKA CITY ENGINEERING DEPT. | AMERICAN METER COMPANY |
| 3 | JFH 6/8/16 | DCR | 104513 | INTERPRET PER ANSI Y14.5 & STD PE-1000 | | TITLE STANDARD SEALING METHOD AC-250 RMD METERS | |
| 2 | RM | PHAM | 103624 | TOLERANCES-UNLESS OTHERWISE SPECIFIED | | REF:STANDARD SECURITY SEALS | |
| 1 | BNS | PHAM | 103606 | INCHES .X± .02 .XX± .005 | MILLIMETERS X± X.X± X.XX± | DR: _____ | DRAWING NUMBER 52810G519 |
| REV | DFTMN | ENGR | ECN- | SURFACES ✓ μin | ANGLES± | CK: _____ | SCALE: NONE |
| REVISIONS | | | | THIS DOCUMENT IS THE PROPERTY OF THE AMERICAN METER COMPANY, AND ITS SUBSTANCE IS CONFIDENTIAL AND PROPRIETARY. THE CONTENTS HEREOF SHALL NOT BE PUBLISHED OR DISCLOSED TO OUTSIDE PARTIES OR USED FOR THEIR BENEFIT WITHOUT THE WRITTEN AUTHORIZATION OF AMERICAN METER. * | | ENGR: J.JORGENSEN | SHEET: 519 |
| DWG. RELEASE: ECN- 103596 | | | | | | | |

| | | | |
|-----------|----------|----------------|-----------------|
| PART No. | ITEM No. | MATERIAL SPEC. | TREATMENT SPEC. |
| 44677B132 | 1 | | |



NOTES:

1. MANUFACTURER: EPM CORPORATION
2. LABEL MATERIAL: 0.002" THICK WHITE POLYESTER
3. OVERLAMINATE: 0.001" THICK CLEAR POLYESTER
4. ADHESIVE: PERMANENT ACRYLIC
5. BACKGROUND: WHITE
6. LETTERING: BLACK, ARIAL FONT



INTERPRET PER ANSI Y14.5 & STD PE-1000

TOLERANCES—UNLESS OTHERWISE SPECIFIED

| | |
|----------------|---------------|
| INCHES | MILLIMETERS |
| .X± | X± |
| .XX± .02 | XX± |
| .XXX± .005 | XXX± |
| SURFACES √ μin | ANGLES± |
| | SURFACES √ μm |

TITLE: LABEL, FCC COMPLIANCE

REF: AC-250 RMD II

| | |
|------------|------------------------|
| DR: | CK: |
| ENGR: R00F | SCALE: 1:1 SHEET: 1007 |

| | | | |
|--------------------------|-------|------|------|
| REV | DFTMN | ENGR | ECN- |
| REVISIONS | | | |
| DWG. RELEASE: ECN-104528 | | | |

THIS DOCUMENT IS THE PROPERTY OF THE ELSTER AMERICAN METER, AND ITS SUBSTANCE IS CONFIDENTIAL AND PROPRIETARY. THE CONTENTS HEREOF SHALL NOT BE PUBLISHED OR DISCLOSED TO OUTSIDE PARTIES OR USED FOR THEIR BENEFIT WITHOUT THE WRITTEN AUTHORIZATION OF ELSTER AMERICAN METER. *



DRAWING NUMBER
44677B132