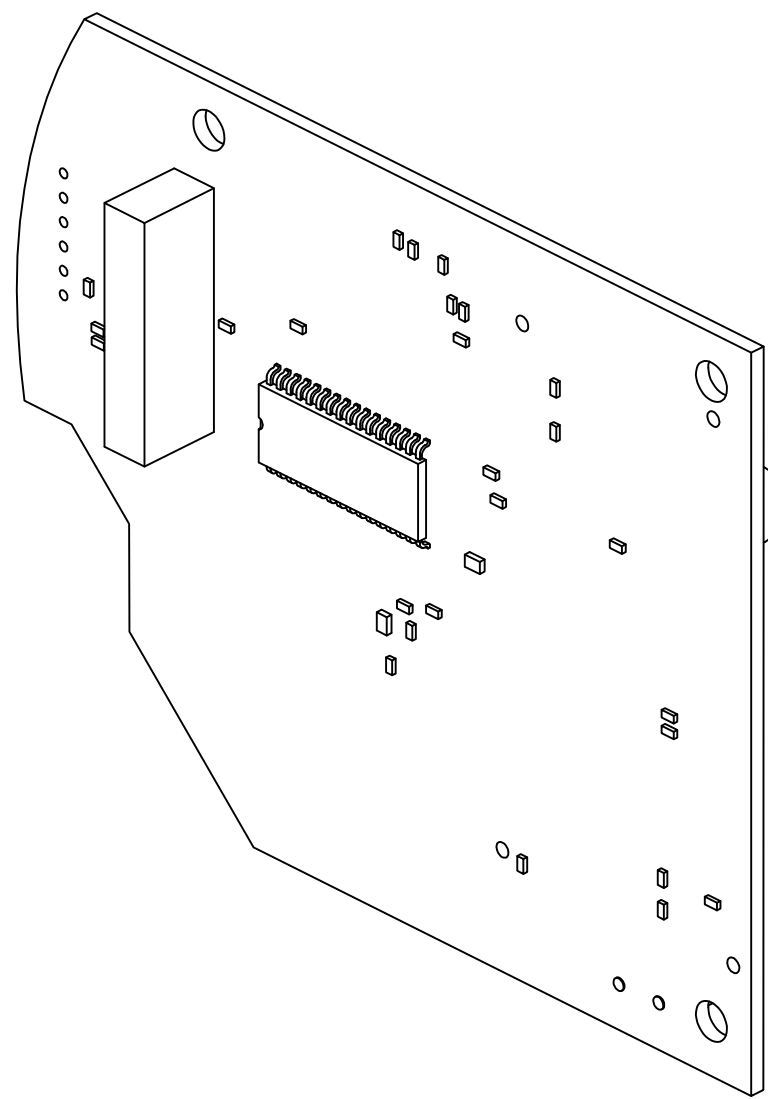


FCC ID: QZC-REXILC  
 This device complies with Part 15 of the FCC rules. Operation is subject to the following two conditions: (1) this device may not cause harmful interference, and (2) this device must accept any interference received, including interference that may cause undesired operation.  
 IC: 4557AREXILC LABEL P/N 1B1563H02-A



▲ SUPPLIER CERTIFICATION REQUIRED  
 ⬡ KEY INCOMING INSPECTION DIMENSIONAL CHECKS  
 THE FOLLOWING ARE CRITICAL/FUNCTIONAL DIMENSIONS USED BY ELSTER ELECTRICITY, LLC FOR SPC, INSPECTION AND OTHER PURPOSES.

FIRST MADE FOR ASSY. DWG.

CAD DWG NO. ACDD03194	DATE
REFERENCE DWG.	09-04-01
DRAFTSMAN A. DORR	DATE
APPROVED D. THOMPSON	09-04-01

SEE SHEET 1 FOR CHANGES

Elster Electricity, LLC Raleigh, N.C.	
TITLE LAN OPTION BOARD ASSEMBLY	
SIZE D UNSPEC'D TOL X.XX±.010 X.XXX±.005 ANGLES ±1°	DWG NO. 5D25285
SCALE 3:1	NOTE: DRAWING DIMENSIONED IN INCHES SHEET 2 OF 2