

REVISED

4:27 pm, Jun 14, 2011

EA_Water 2.0 module

Installation instructions

General

This leaflet contains instructions for Elster's EA_Water 2.0 module for use on water meters to provide readings to the EnergyAxis® System. For proper installation and maximum life of the modules, use the following procedures.

The EA_Water 2.0 module can be installed as an integral, wall, or pipe mount. The integral mount consists of the module being mounted directly to the water meter. See "Integral mount" on page 1 for specific instructions. The wall mount is mounted to a mostly flat surface such as a wall or other surface. See "Wall mount" on page 2 for specific instructions. The pipe mount consists of hardware to mount the module to a pipe. See "Pipe mount" on page 4 for specific instructions.

Familiarize yourself with the location and identification of the terminals on your water meter registers before any installation procedure.

Radio communications performance and mounting

The EA_Water 2.0 module is designed to provide excellent radio communications performance when it is mounted such that the front surface arrows point up. Alternate mounting orientations may impair radio communications performance.

Connection instructions

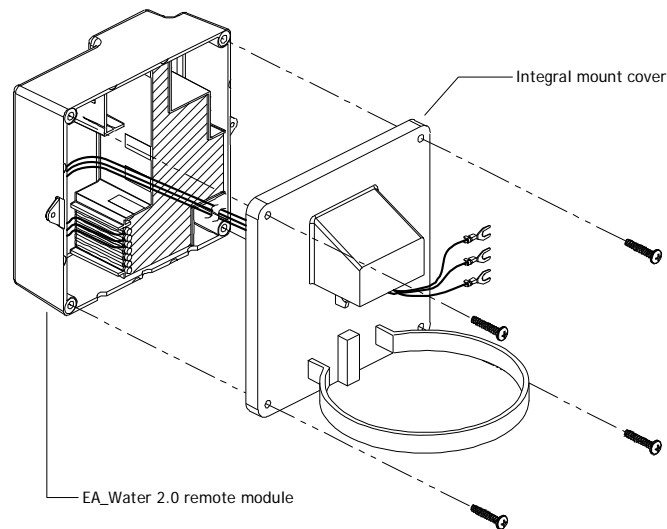
The EA_Water 2.0 module register connections are as follows:

Function	Module cable color	Register terminal color				
		Elster AMCO	Badger	Sensus	Hersey	Neptune
Data	Green	Red	Green	Green	Green	Red
Power (or power/clock)	Red	Green	Red	Red	Red	Black
Common (ground)	Black	Black	Black	Black	Black	Green

Installation instructions

Integral mount

The EA_Water 2.0 module is shipped fully assembled and ready to install. You will need to mount the EA_Water 2.0 module directly onto the water meter register. The integral mount cover has a hoop that fits around the water meter register.



1. Align the hoop EA_Water 2.0 module over the water meter register so that the EA_Water 2.0 module wires are able to connect to the water meter terminals.
2. Securely attach the EA_Water 2.0 module over the water meter register.
3. Using the table in "Connection instructions" on page 1, connect the appropriate wires to the correct terminals on the water meter register. Typically, the connection is made by placing the wire under the screw terminal and tightening down securely. See the product documentation for your water meter register for more information.

Wall mount

The EA_Water 2.0 module can be mounted on a wall close to the water meter. To assist placing the enclosure on the hanging screw, the enclosure has hash marks that will help you properly align the module.

The cable from the EA_Water 2.0 module and the water meter register should not exceed 100 feet (30 meters).

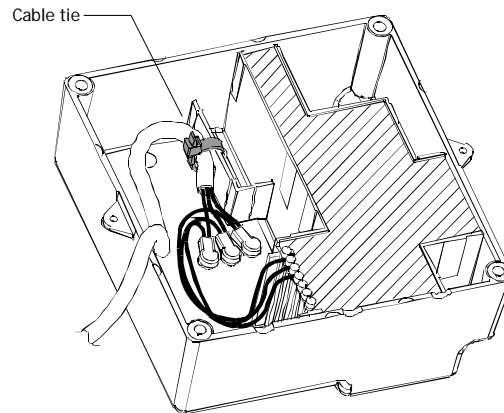
1. Remove the remote mount cover from the EA_Water 2.0 module.

⚠ CAUTION

Be sure to connect the cables correctly. Failing to properly connect the cables may prevent the module from operating correctly. For information on proper connections, see "Connection instructions" on page 1.

2. For proper operation of the module, connect the cables as described in "Connection instructions" on page 1.
 - a. If you do not have an inline connector, splice the cables from the EA_Water 2.0 module to the water meter register cable using weatherproof gel caps (for example, 3M style 314 IDC). Be sure to follow the manufacturer's directions for wire preparation when using gel caps.

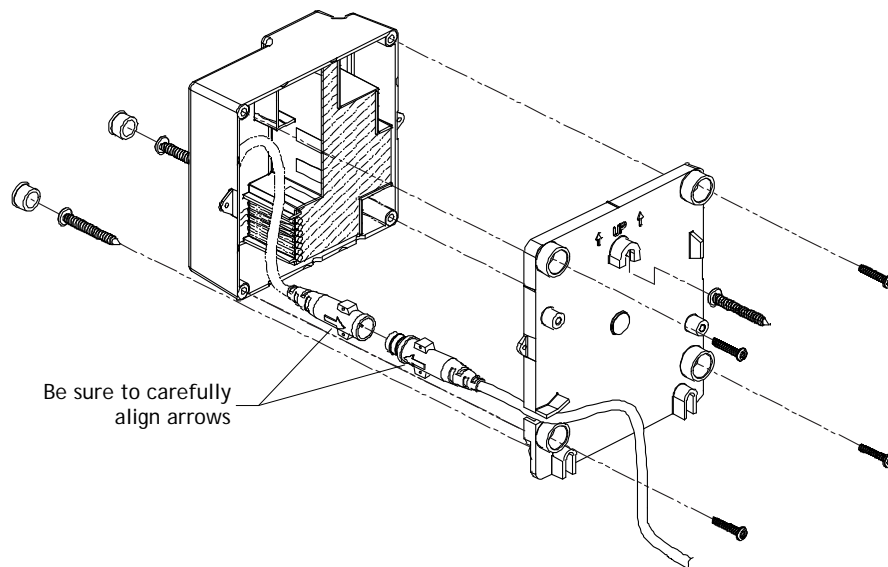
Insert the cable back into the EA_Water 2.0 module, making sure to provide strain relief for the cable. Be sure to securely fashion the cable by using the cable tie, as illustrated in the next figure.



⚠ CAUTION

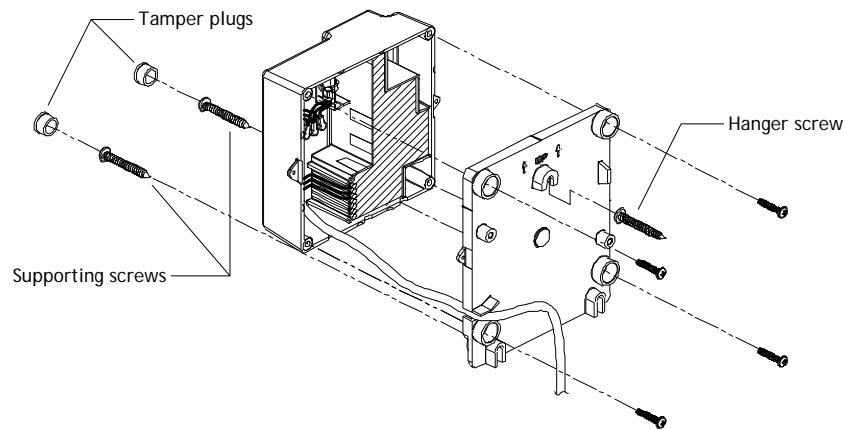
Be sure that the arrows are as closely aligned as possible before mating. Failing to properly align the arrows may result in damage to the connector, requiring a replacement of either the connector or the module itself.

- b. If you have an inline connector, align the arrows on both connector ends. Press firmly to fully mate the connectors (see next figure).



3. Reattach the remote mount cover to the EA_Water 2.0 module.
4. Hang the EA_Water 2.0 module on the hanger screw, making sure it is level.
5. Screw 2 screws into the 2 bottom supporting screw mounts.

6. Using the table in "Connection instructions" on page 1, connect the appropriate wires to the correct terminals on the water meter register. Typically, the connection is made by placing the wire under the screw terminal and tightening down securely. See the product documentation for your water meter register for more information.
7. When you have completed the installation, secure the EA_Water 2.0 enclosure by inserting the tamper plugs into bottom supporting screw mounts.



Pipe mount

The EA_Water 2.0 module can be mounted on a pipe close to the water meter. The pipe mounting option uses a hose clamp and mounting bracket to attach the EA_Water 2.0 module to a pipe.

The cable from the EA_Water 2.0 module to the water meter register should not exceed 100 feet (30 meters).

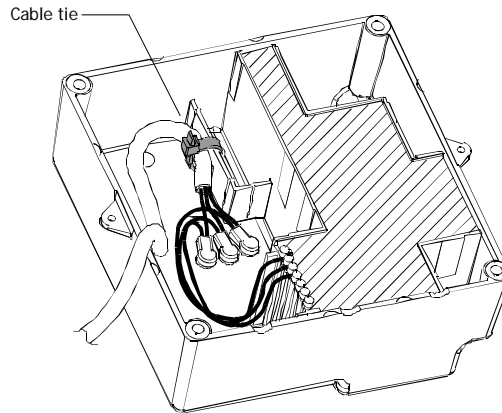
1. Remove the remote mount cover from the EA_Water 2.0 module.
2. Align the mounting bracket to the remote mount cover and secure the mounting bracket with screws.

⚠ CAUTION

Be sure to connect the cables correctly. Failing to properly connect the cables may prevent the module from operating correctly. For information on proper connections, see "Connection instructions" on page 1.

3. For proper operation of the module, connect the cables as described in "Connection instructions" on page 1.
 - a. If you do not have an inline connector, splice the cables from the EA_Water 2.0 module to the water meter register cable using weatherproof gel caps (for example, 3M style 314 IDC). Be sure to follow the manufacturer's directions for wire preparation when using gel caps.

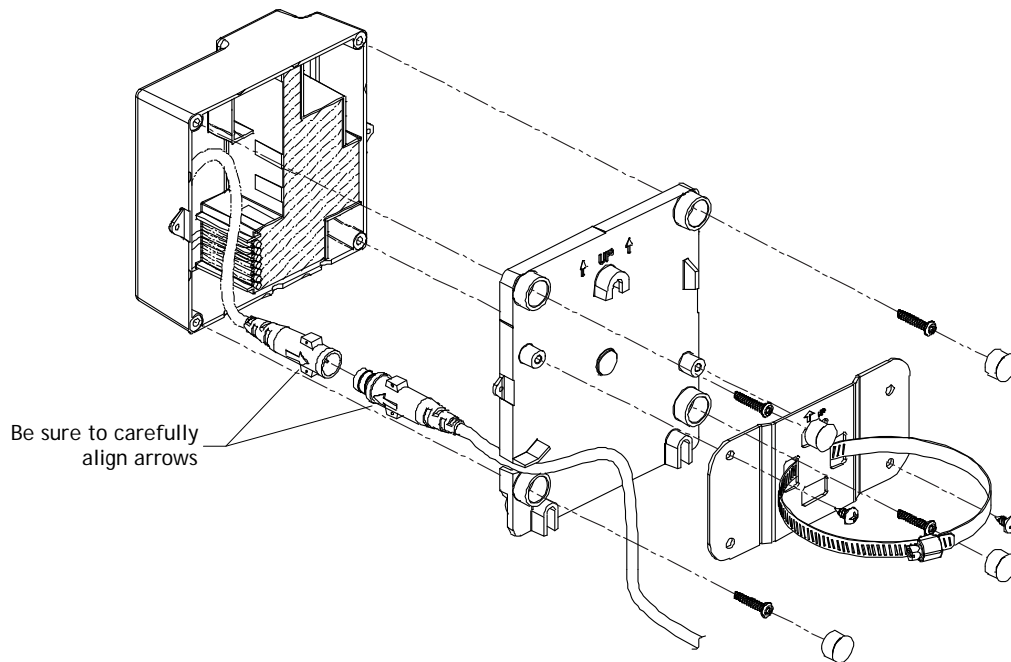
Insert the cable back into the EA_Water 2.0 module, making sure to provide strain relief for the cable. Be sure to securely fashion the cable by using the cable tie, as illustrated in the next figure.



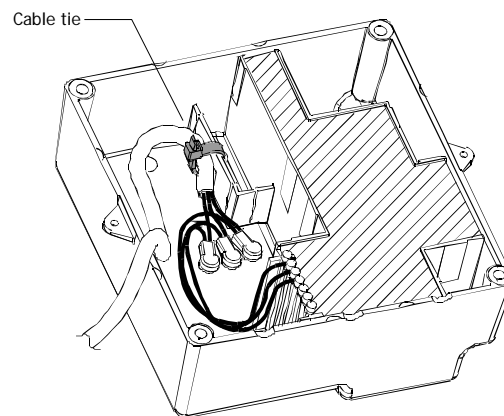
⚠ CAUTION

Be sure that the arrows are as closely aligned as possible before mating. Failing to properly align the arrows may result in damage to the connector, requiring a replacement of either the connector or the module itself.

- b. If you have an inline connector, align the arrows on both connector ends. Press firmly to fully mate the connectors (see next figure).

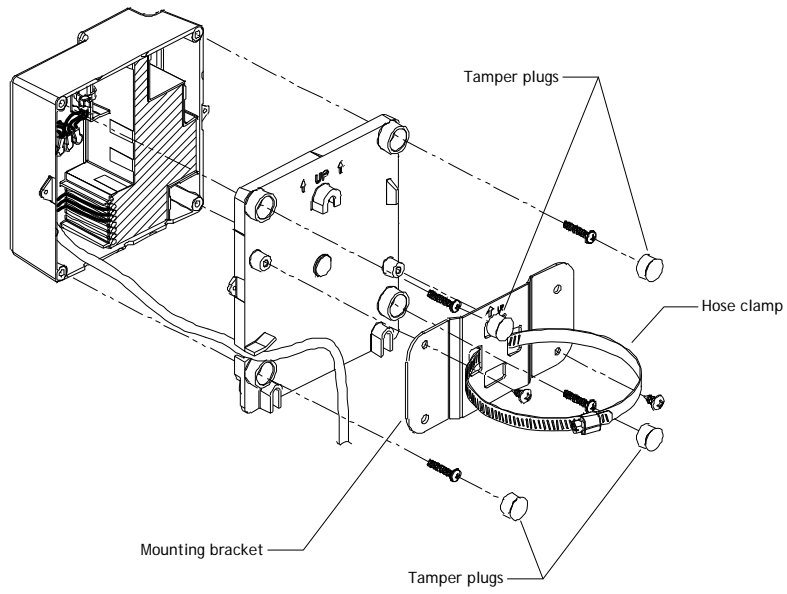


4. Insert the cable back into the EA_Water 2.0 module, making sure to provide strain relief for the cable. Be sure to securely fashion the cable by using the cable tie as illustrated in the next figure.



5. Reattach the remote mount cover to the EA_Water 2.0 module.
6. Thread the pipe hose clamp through the slot of the mounting bracket
7. Mount and secure the EA_Water 2.0 module to the pipe.
8. Using the table in "Connection instructions" on page 1, connect the appropriate wires to the correct terminals on the water meter register. Typically, the connection is made by placing the wire under the screw terminal and tightening down securely. See the product documentation for your water meter register for more information.

9. When you have completed the installation, secure the EA_Water 2.0 enclosure by inserting the tamper plugs into tamper plug mounts..



FCC and Industry Canada Compliance

User Information (Part 15.105): This equipment has been tested and found to comply with the limits for a Class B digital device, pursuant to part 15 of the FCC Rules. These limits are designed to provide reasonable protection against harmful interference in a residential installation. This equipment generates, uses and can radiate radio frequency energy and, if not installed and used in accordance with the instructions, may cause harmful interference to radio communications. However, there is no guarantee that interference will not occur in a particular installation. If this equipment does cause harmful interference to radio or television reception, the user is encouraged to try to correct the interference by one or more of the following measures:

- reorient or relocate the receiving antenna
- increase the separation between the equipment and the receiver
- connect the equipment into an outlet on a circuit different from that to which the receiver is connected
- consult the dealer or an experienced radio/TV technician for help

If you experience trouble with this equipment, please use the Return Material Request (RMR) feature available at the Online Customer Services at www.elstersolutions.com. Do not attempt to repair this equipment itself unless you are replacing the entire module.

Compliance Statement (Part 15.19): This device complies with Part 15 of the FCC Rules and with RSS-210 of Industry Canada. Operation is subject to the following two conditions: 1) This device may not cause harmful interference, and 2) This device must accept any interference received, including interference that may cause undesired operation.

Compliance Statement (RSS standards): This device complies with Industry Canada licence-exempt RSS standard(s). Operation is subject to the following two conditions: (1) this device may not cause interference, and (2) this device must accept any interference, including interference that may cause undesired operation of the device.

Énoncé de conformité: Le présent appareil est conforme aux CNR d'Industrie Canada applicables aux appareils radio exempts de licence. L'exploitation est autorisée aux deux conditions suivantes : (1) l'appareil ne doit pas produire de brouillage, et (2) l'utilisateur de l'appareil doit accepter tout brouillage radioélectrique subi, même si le brouillage est susceptible d'en compromettre le fonctionnement.

Warning (Part 15.21): Changes or modifications not expressly approved by Elster could void the user's authority to operate the equipment.

RF Radiation Safety Guidelines per Part 2 of FCC Rules and Regulations: The meter should be installed in a location where there will be a separation greater than 20 cm from locations occupied by humans.

Industry Canada Statement: The term "IC" before the certification/registration number only signifies that the Industry Canada technical specifications were met.

Collocation Statement: Collocation of simultaneously-transmitting (co-transmitting) antennas within 20 cm of each other in a final product is not allowed. Under Industry Canada regulations, this radio transmitter may only operate using an antenna of a type and maximum (or lesser) gain approved for the transmitter by Industry Canada.

To reduce potential radio interference to other users, the antenna type and its gain should be so chosen that the equivalent isotropically radiated power (e.i.r.p.) is not more than that necessary for successful communication.

Conformément à la réglementation d'Industrie Canada, le présent émetteur radio peut fonctionner avec une antenne d'un type et d'un gain maximal (ou inférieur) approuvé pour l'émetteur par Industrie Canada.

Dans le but de réduire les risques de brouillage radioélectrique à l'intention des autres utilisateurs, il faut choisir le type d'antenne et son gain de sorte que la puissance isotrope rayonnée équivalente (p.i.r.e.) ne dépasse pas l'intensité nécessaire à l'établissement d'une communication satisfaisante.

DISCLAIMER OF WARRANTIES AND LIMITATIONS OF LIABILITY

There are no understandings, agreements, representations, or warranties either express or implied, including warranties of merchantability or fitness for a particular purpose, other than those specifically set out by any existing contract between the parties. Any such contract states the entire obligation of the seller. The contents of this document shall not become part of or modify any prior existing agreement, commitment, or relationship. The information, recommendations, descriptions, and safety notices in this document are based on Elster experience and judgment with respect to operation and maintenance of the described product. This information should not be considered as all-inclusive or covering all contingencies. If further information is required, Elster should be consulted.

No warranties, either expressed or implied, including warranties of fitness for a particular purpose or merchantability, or warranties arising from the course of dealing or usage of trade, are made regarding the information, recommendations, descriptions, warnings, and cautions contained herein.

In no event will Elster be responsible to the user in contract, in tort (including negligence), strict liability or otherwise for any special, indirect, incidental, or consequential damage or loss whatsoever, including but not limited to: damage or loss of use of equipment, cost of capital, loss of profits or revenues, or claims against the user by its customers resulting from the use of the information, recommendations, descriptions, and safety notices contained herein.

Elster
Raleigh, North Carolina USA



IL42-5016D

© 2011 by Elster
All rights reserved.
Printed in the United States.