



Place and Date: Mielec 2023-08-22

From: BURY Sp. z o.o.

ul. Wojska Polskiego 4, 39-300 Mielec, POLAND

Model (s): WCA CS NFC LCI

For the renewal of the certificate, we hereby inform you that some changes have been made to the above mentioned product(s). Please refer to the details on the next pages.

Sincerely,

Signature: Bernadetta Dzik

Responsible's Name: i.A. Bernadetta Dzik

Job's position: CEO

Email: Ccert@bury.com

BURY Sp. z o.o.
ul. Wojska Polskiego 4
39-300 Mielec/Poland
Tel.: +48 17 788 46 00
Fax: +48 17 788 75 64
E-Mail: info@bury.com
Internet: www.bury.com/pl/

Sąd Rejestrowy / Registration Office:
Sąd Rejonowy w Rzeszowie XII Wydział Gospodarczy
KRS/ JR 0000000921
REGON / ID Number: 830-46-30-68
NIP 817 18 17 663
UST-IDNR. / VAT No. / PL 817 18 17 663
NR EORI PL 817181766300000
BDO 000005249

Konta Bankowe / Bank Accounts:
BNP Paribas Bank Polska S.A.
PLN 78203000451110000001758960
EUR PL92203000453110000000126690
USD PL71203000453110000000126680
SWIFT PPABPLPKXX

Bank PEKAO S.A.
PLN 7812404764111000048634865
EUR PL80124047641978000048621937
USD PL44124047641787000048648237
GBP PL94124048071789001036323112
SWIFT PKOPPLPW

PKO Bank Polski S.A.
PLN 60102031470000850201338201
EUR PL 05102031470000890201338219
USD PL 10102031470000870201338227
SWIFT BPKOPLPW

Serwis / Service:
Tel.: +48 17 773 87 31
Fax: +48 17 788 75 64
E-Mail: info@bury.com

Service Desk for product returns:
BURY Sp. z o.o.
Service Department
ul. Wojska Polskiego 4
PL- 39-300 Mielec



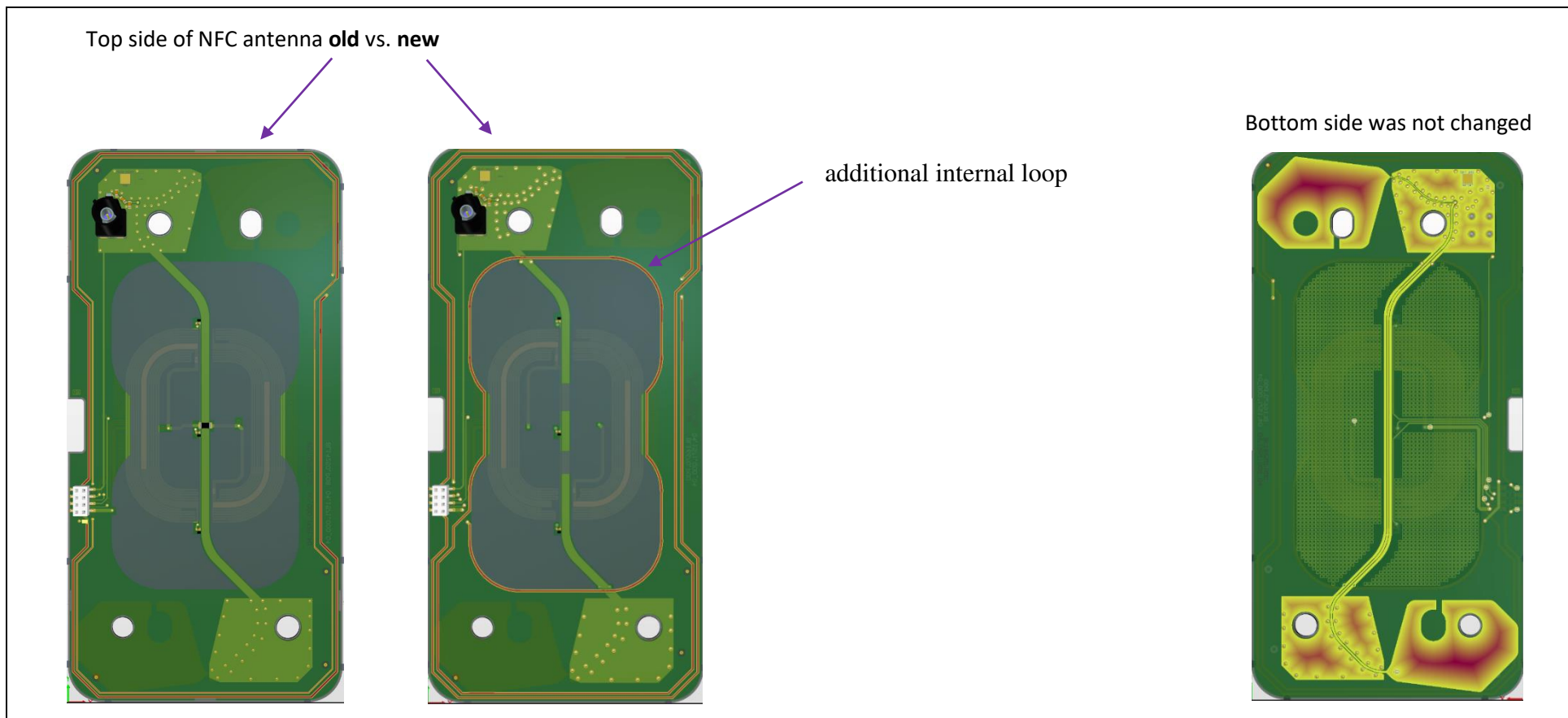
Paula Kluwa

Change description

The model and the variants as described above did undergo several modifications and changes. The changes are detailed in the following section.

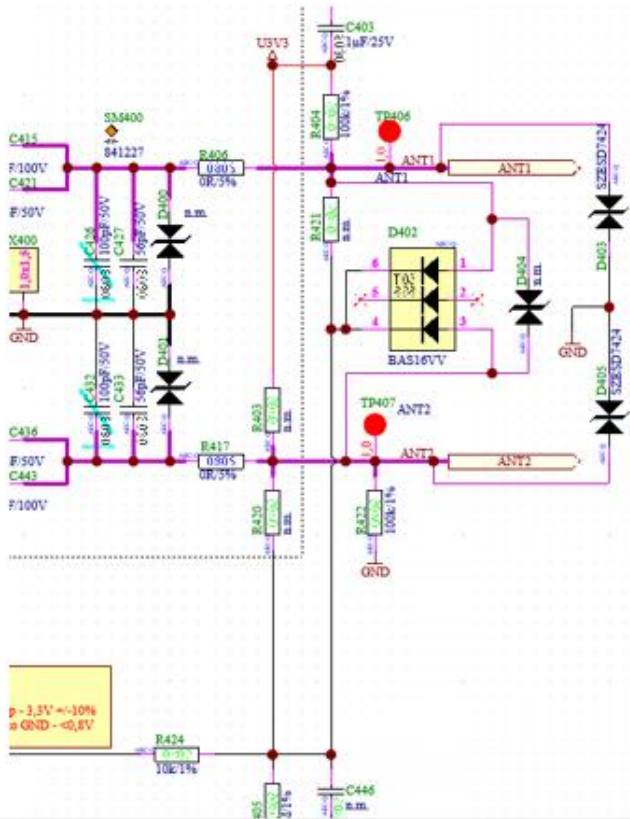
1. New Design

1.1. Change in NFC antenna – additional internal loop

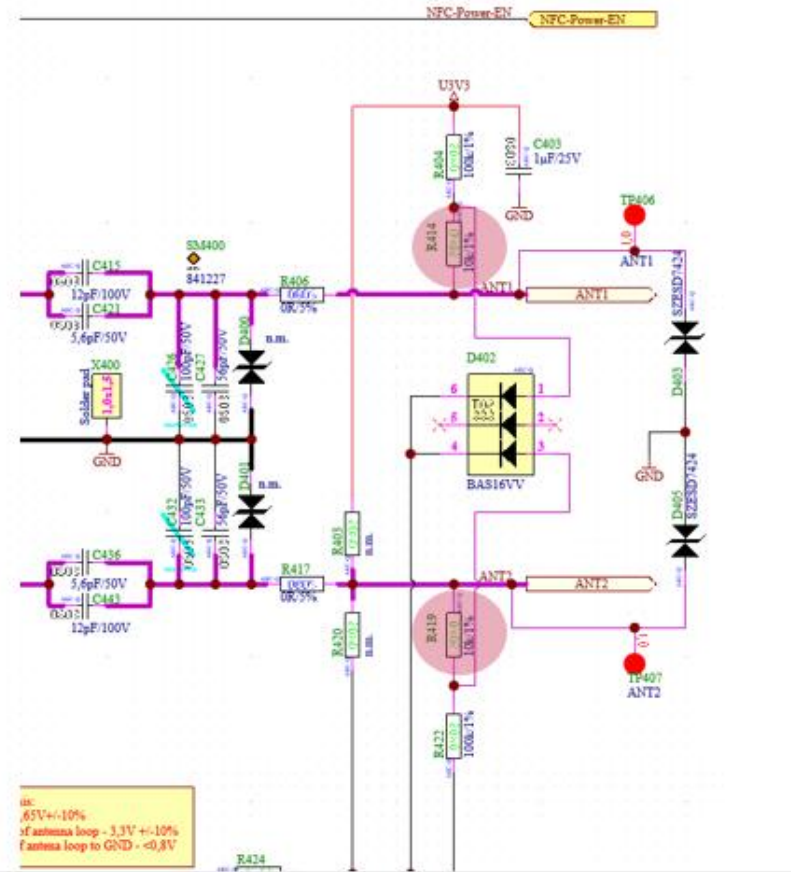


1.2. Change in main board - added 2 resistor, changed layout in region of Diode D402

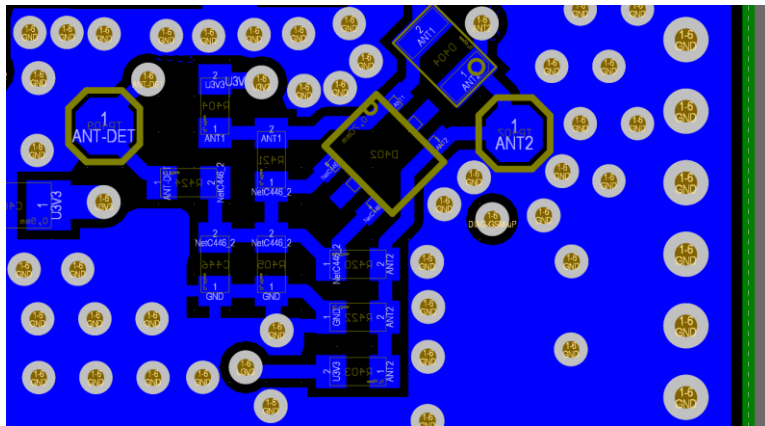
The change of tuning done on main PCB:



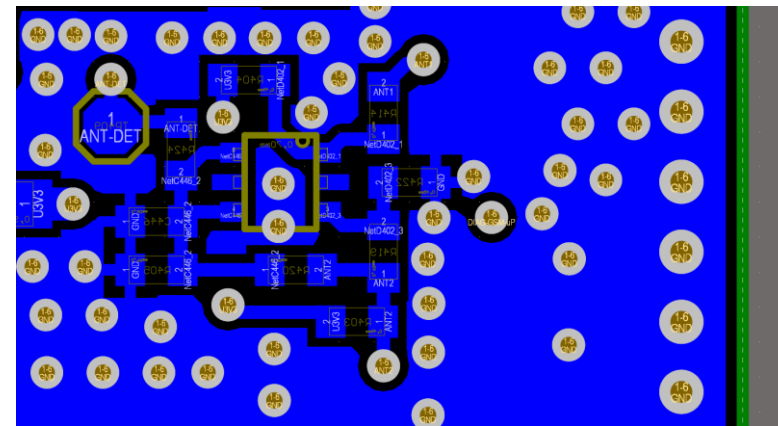
Old PCB



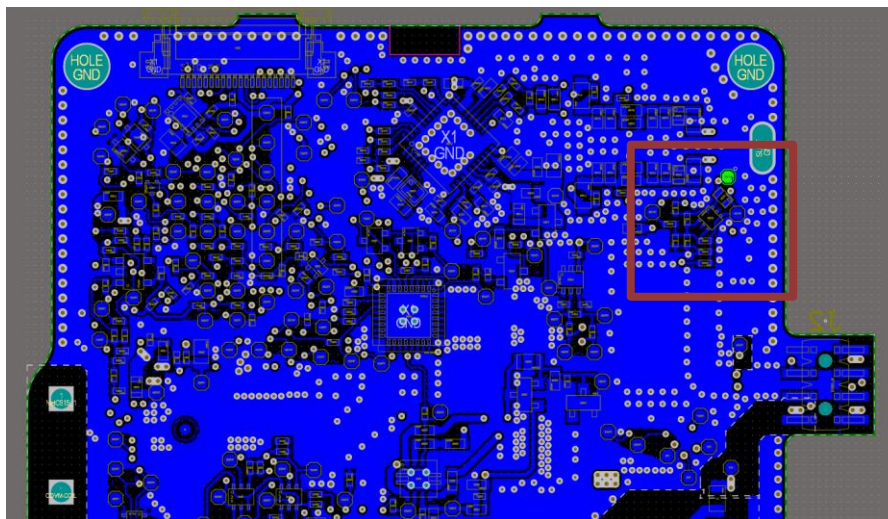
New PCB



Old PCB



New PCB



Old PCB



New PCB