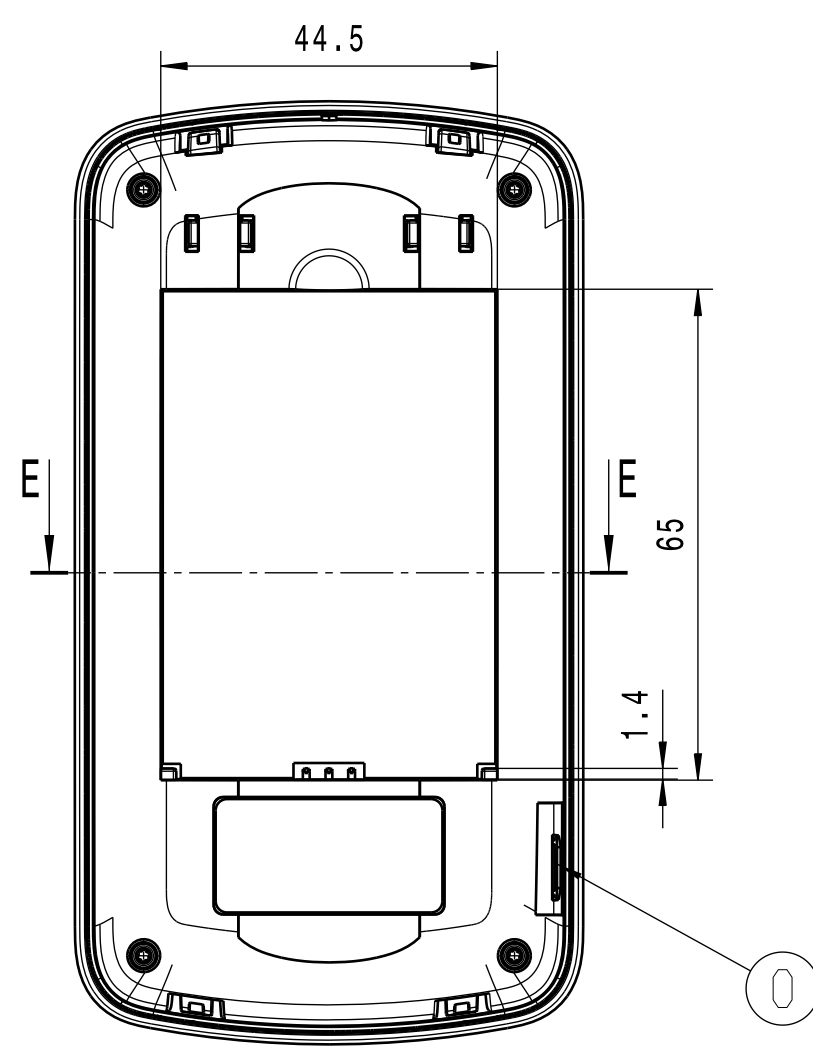
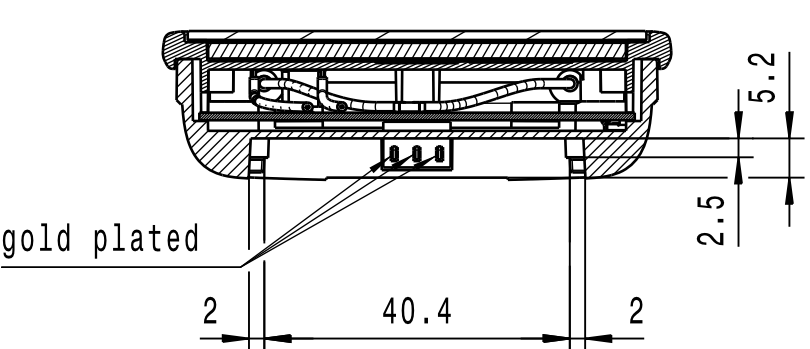


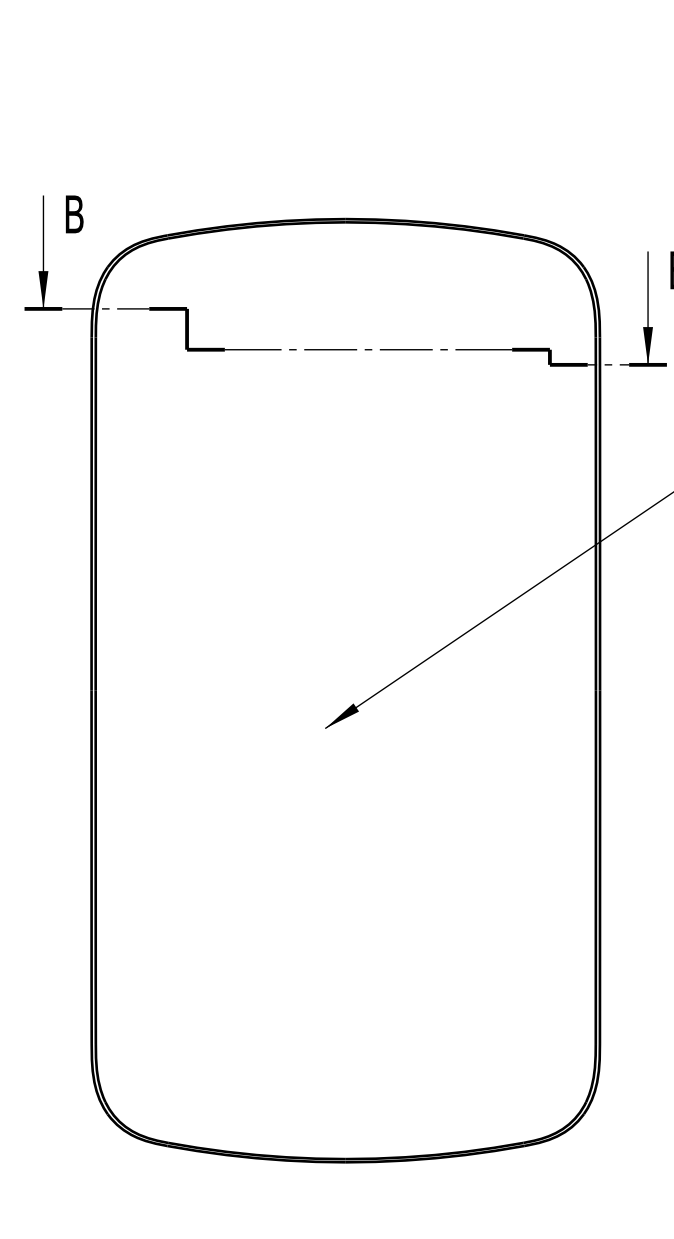
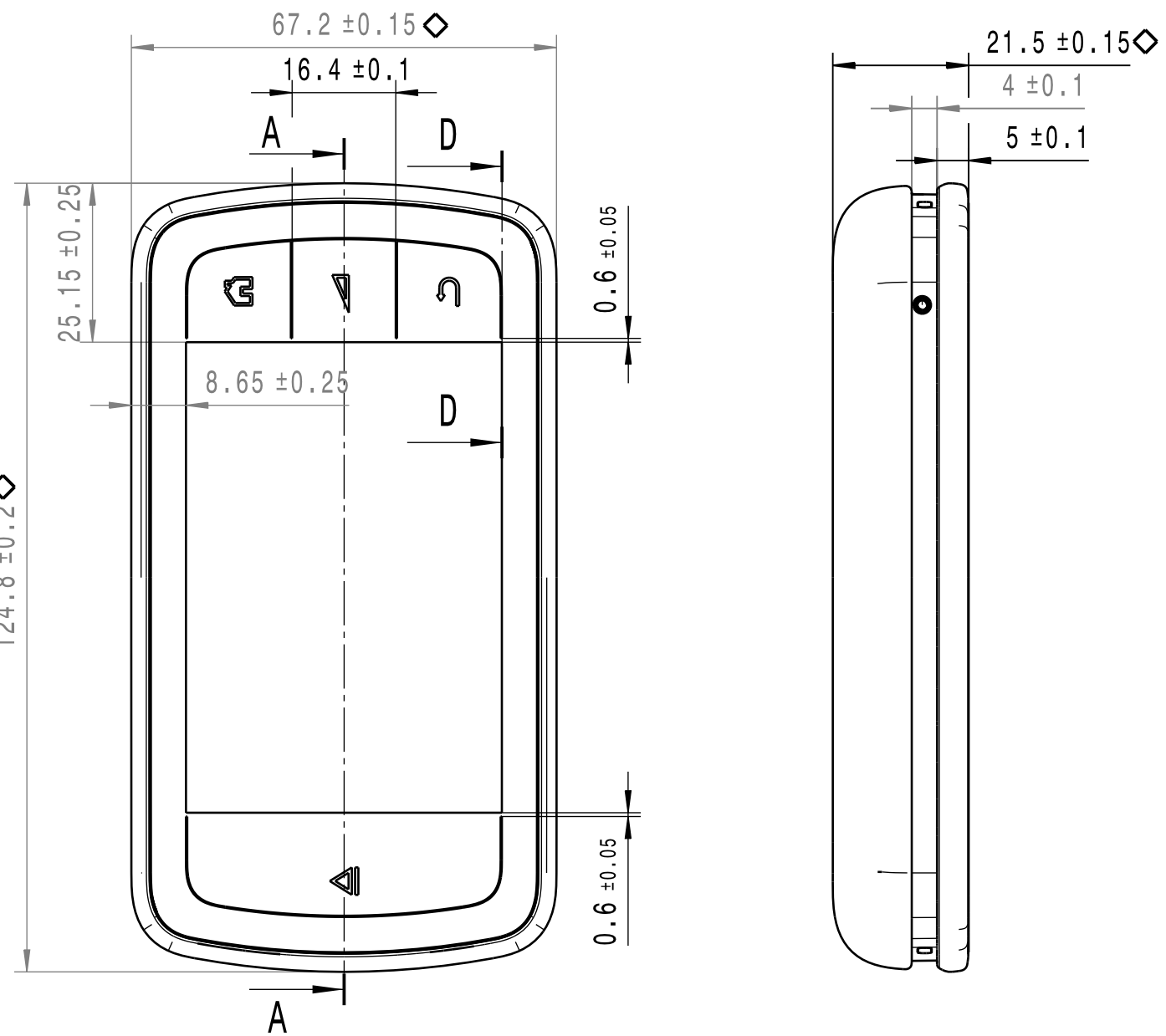
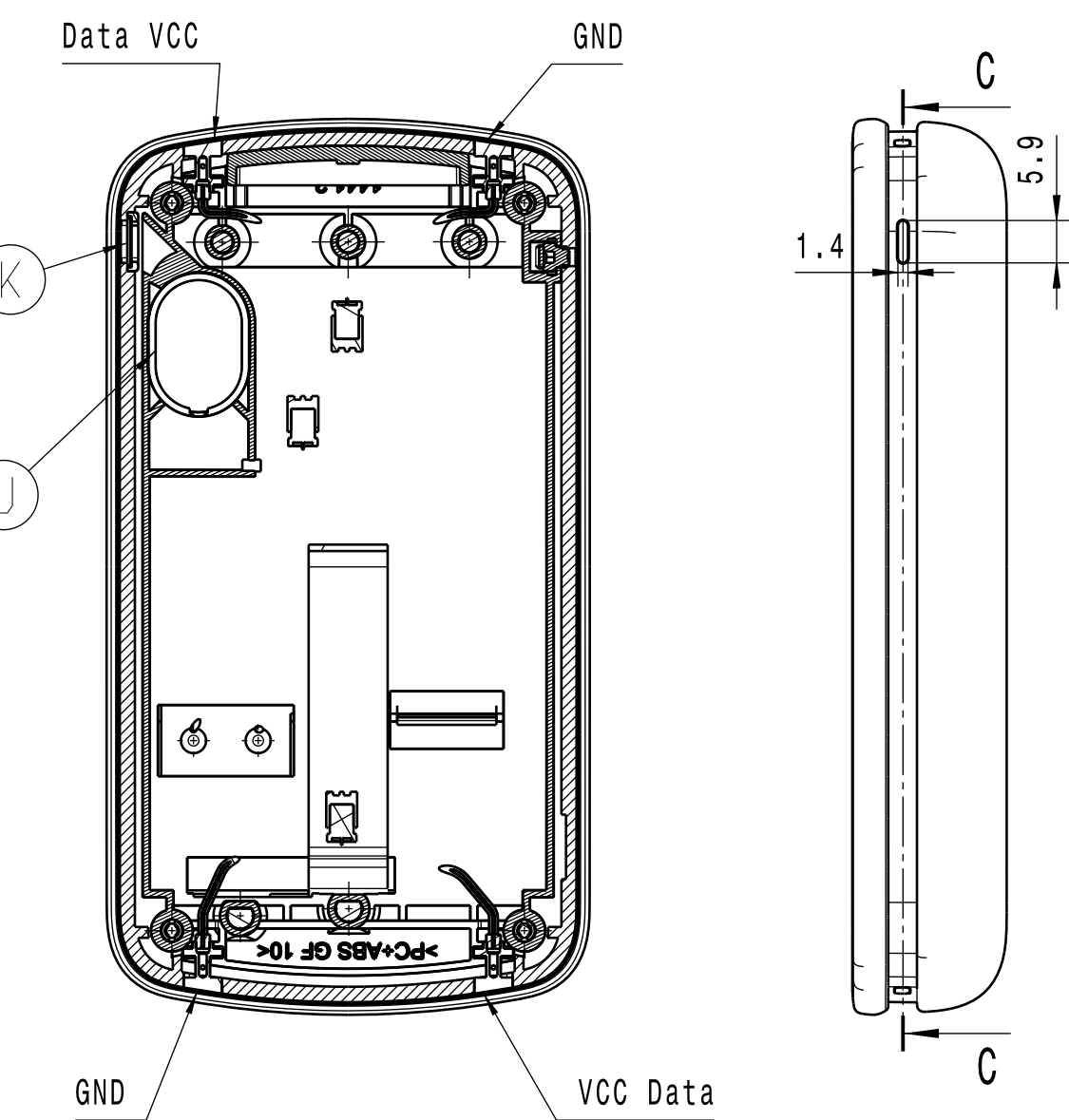
View without Cover & Battery



SECTION E-E



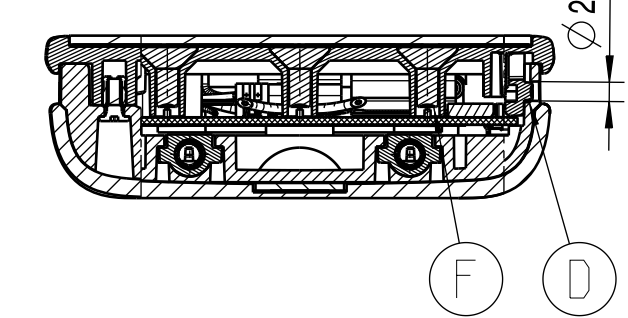
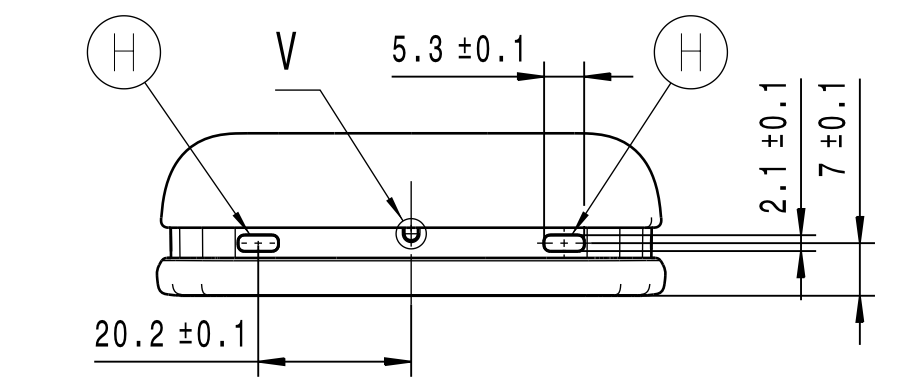
SECTION C-C



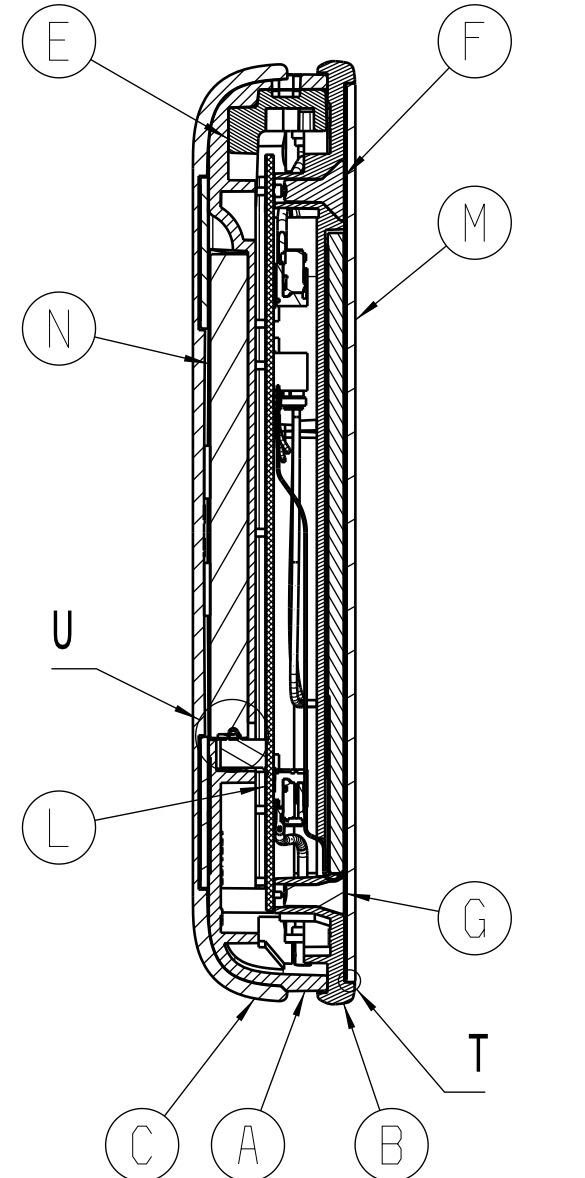
Kennzeichnung VW 105 00
 Identifikation VW 105 14-V4
 Markenzeichen VW 105 50
 Herstellland Country of origin VW 105 40-1
 Hersteller-Code VW 105 40-1
 Teil-Nr.; Schrift DIN 1451-2.0
 Pt.-No.; Lettering VW 105 60-B6
 Datumskennzeichnung VW 105 60-B6
 Date identification
 Werkstoff-Kennzeichnung VDA 260 >siehe Zeichnung<
 Material identification

Note: No residue after removing label

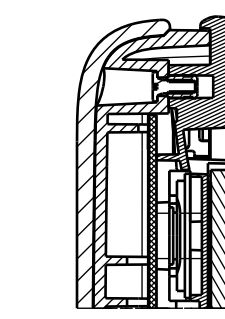
SECTION B-B



SECTION A-A



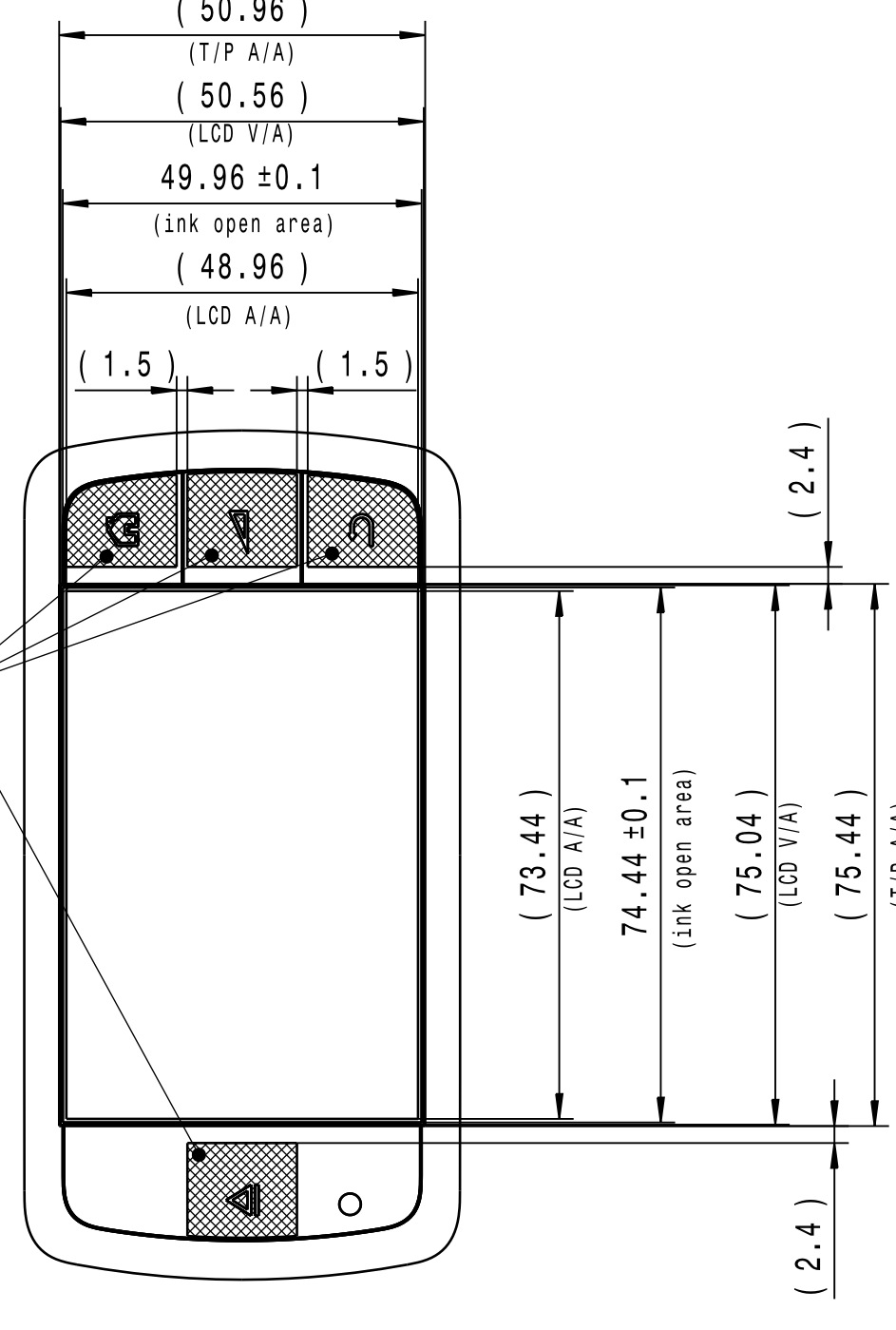
SECTION D-D



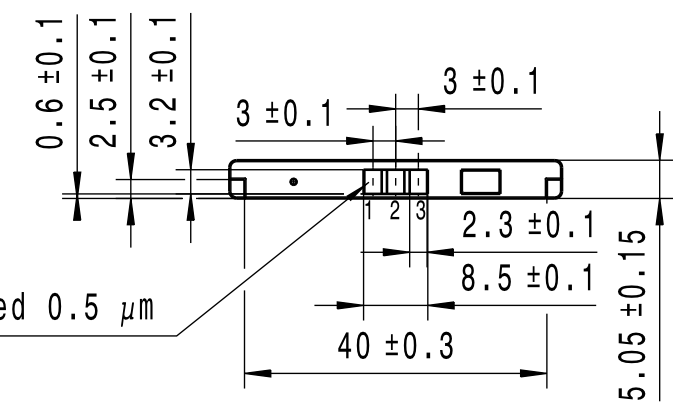
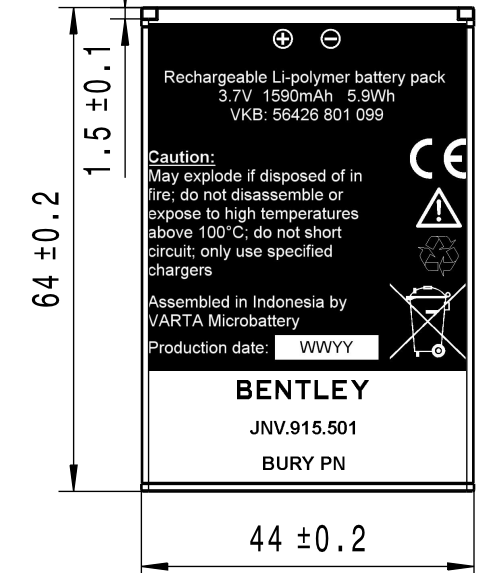
10:1

0.07 ± 0.05

Display assembly



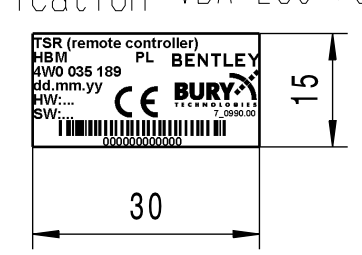
Battery LPP454261 8TH



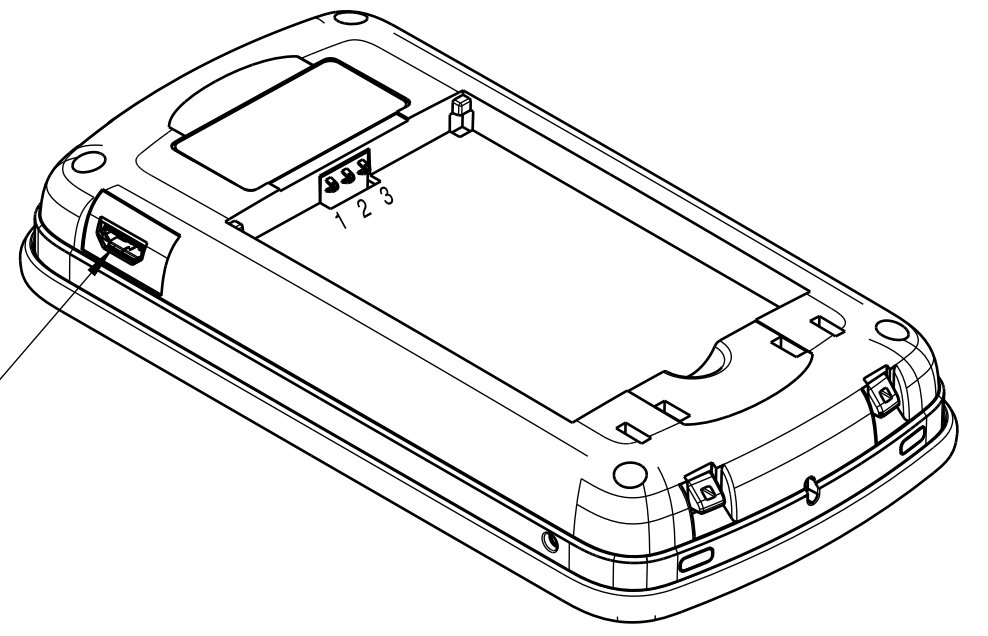
PIN	Description
1	Battery +
2	Temperature sensor
3	Battery -

Without Cover

Kennzeichnung VW 105 00
 Identifikation VW 105 14-V4
 Markenzeichen VW 105 50
 Herstellland Country of origin VW 105 40-1
 Hersteller-Code VW 105 40-1
 Teil-Nr.; Schrift DIN 1451-2.0
 Pt.-No.; Lettering VW 105 60-B6
 Datumskennzeichnung VW 105 60-B6
 Date identification
 Werkstoff-Kennzeichnung VDA 260 >siehe Zeichnung<
 Material identification



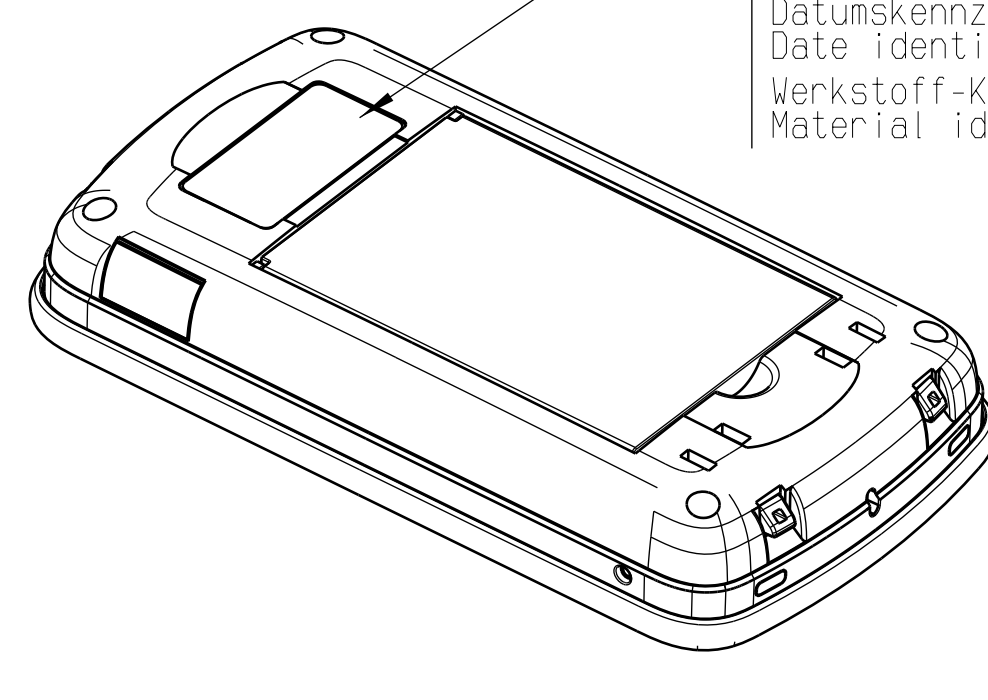
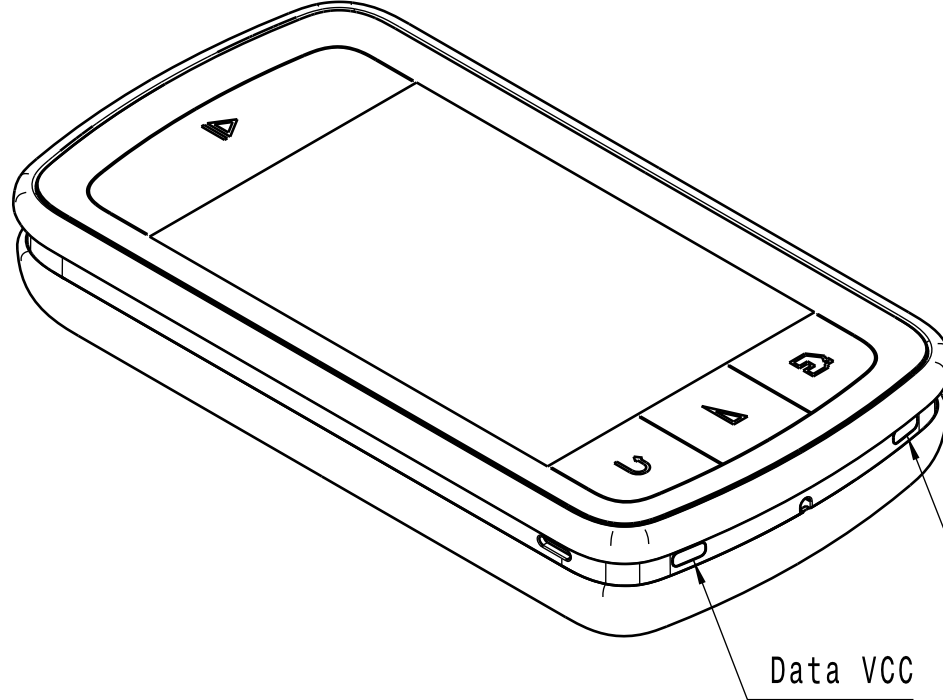
Without Cover & Battery



micro USB	Description
1	VCC
2	USB-N
3	USB-P
4	USB-ID
5	GND

Notes:
 Colours (without back-lighting):
 Display:
 Border outside Touch screen area: painted black RAL 9005,
 Soft buttons outline: painted grey RAL 7015,
 Pictograms (needs to be illuminated; transparency level 30%): painted white RAL 9016.
 Display luminance min. 250 typ. 280 max. 320 cd/m²
 Display's temperature range given by producer:
 - Storage: -30°C(240hrs) to +80°C (240hrs)
 - Operation: -20(240hrs) to +70°C (240hrs)
 Battery: Lithium-Polymer Varta LPP 454261 8th, 3,7V/1590mAh
 Battery's temperature range given by producer:
 - Charge: 0 to +45°C
 - Discharge: -20 to +60°C
 White Illumination (with back-lighting)
 Intensity 124 cd/m²
 x, y chromaticity co-ordinates 0,33;0,02
 Touch Screen: capacitive
 Housing removable with special tools, without damage to the part.
 No flash around the contact points.
 TSR charged conductively.
 Battery contact points on TSR spring loaded.
 Internal Traceability label attached onto PCB.
 Resistance to Open Air Weathering VW 501 85; without complaints.
 Immunity to ElectroStatic Discharge acc. to TL 824 66.
 Burning Behaviour of parts and Assembly acc to TL 1010.
 Light sensor IR pad not visible under normal light conditions, please see master sample.
 TSR will be shipped from manufacturer with touch screen protective foil.
 The force required to remove the TSR from the cradle is 11N ±10%.

VIEW ISO



Dimension	Tolerance
>400 << 1000	±0.6
>120 << 400	±0.6
> 30 << 120	±0.5
> 6 << 30	±0.3
< 6	±0.2
Winkel	±1°
Winkel	±1°

Alle Maße gelten fuer das Fertigteile einschliesslich Oberflaechenschutz.
 All dimensions apply to the finished part including surface protection.

© Volkswagen AG behält sich alle Rechte vor. Das gilt insbesondere fuer Erfindungsrechte, Marken-, Urheberrechte und Patentrechte sowie die Rechte an geistigen Eigentum. Alle Rechte an Marken- und Patentrechten sind vorbehalten.

© Volkswagen AG reserves all rights, including without limitation rights of invention, know-how, copyrights, rights to know, and the right to apply for industrial property rights. All rights of use and registration, including the right to use and dissemination of distributed residue with use. Approval of first delivery and changes in accordance with VW 01010. The English translation is believed to be accurate. In case of discrepancies the German version is alone authoritative and controlling.

Werkstoff/Material	siehe Zeichnung shown on drawing	Konstr.-Verantwortl. Doc resp.	
Werkstoffbezeichnung/Material treatment	siehe Zeichnung shown on drawing	Name/Name	B. Bugeja
Halbzeug/ Semi-finished product		Abt./Dept.	Bentley
Oberflaechenschutz/Surface protection	VW 13705 Of1-	Telefon/Phone	+44 1270 534 987
Gewicht/Weight	errechnet/calculated 260 g	Ent.-Nr./Draft no.	BY 621
Sicherh.-Dok./Safety Doc.		EA-Nr./Erg.-proj.no.	BURY
Titel	Touch Screen Remote Control		
Maßstab/Scale	Teil-Nr./Part-no.	4W0.035.189	
Format/Sheet	A0 1 1		

Teilzeichnung nach VW 10500. Parts marking acc. to VW 10500.
 Recyclinganforderungen nach VW 9102. Recycling requirements acc. to VW 9102.
 Toleranzgrundsatz nach VW 01054. Tolerancing principle acc. to VW 01054.