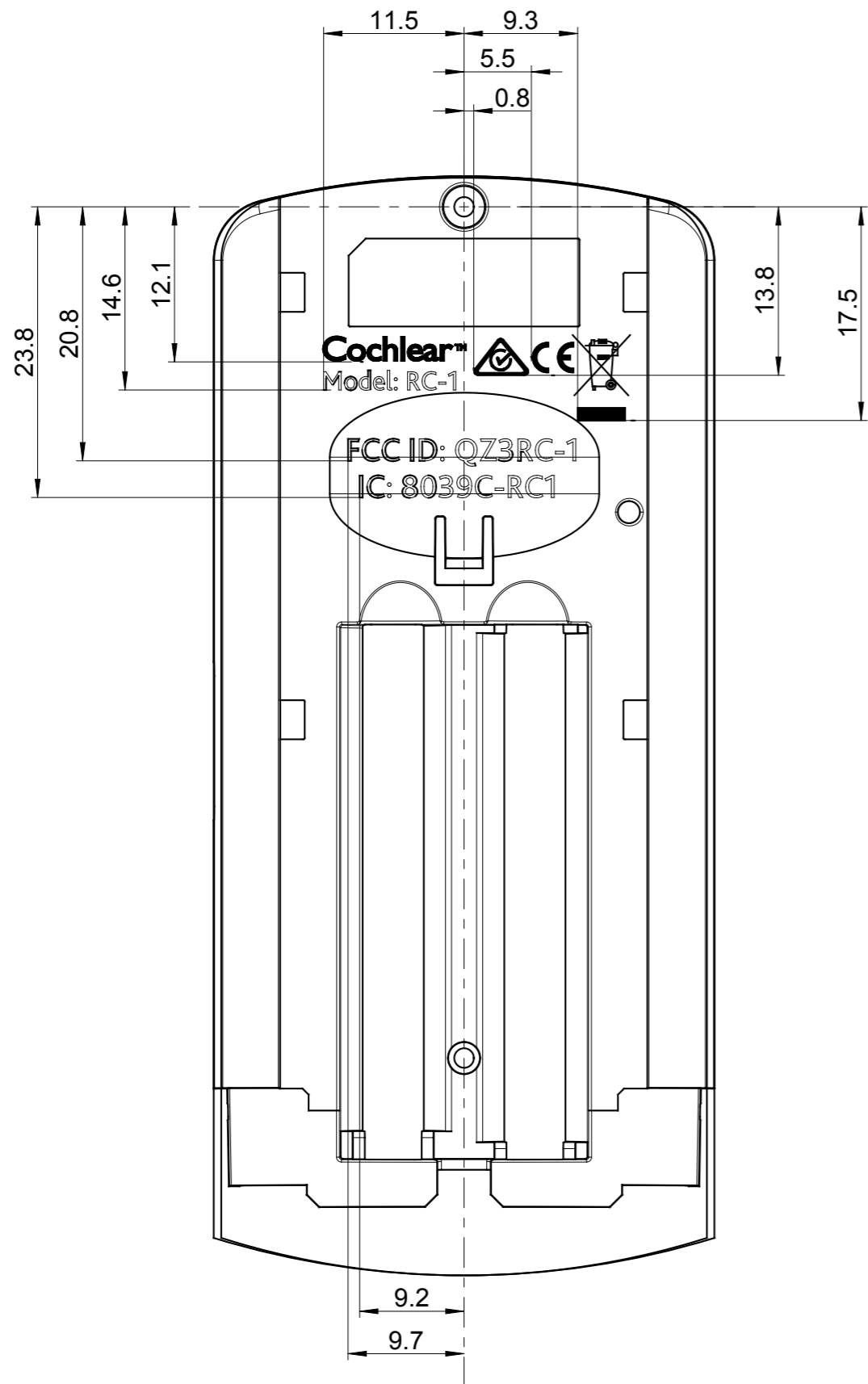


3D model:

2D drawing: 615375-04.9

70007:06

This document is confidential information and the property of Cochlear and must not be copied, shown to or given to any third party without our written permission.



**Cochlear™**

Cochlear wordmark according to 612395, height: 2 mm

Model: RC-1

Bliss Pro (regular), height: 1.5 mm

FCC ID: QZ3RC-1

(USA) Bliss Pro (regular), height: 1.8 mm

IC: 8039C-RC1

(Canada) Bliss Pro (regular), height: 1.8 mm



CE-mark, Symbol according to 60247, height: 2.5 mm



European Union WEEE Directive Logo, height: 7 mm



(AUS) RCM-symbol for ACMA, height: 3 mm

- Note 1: Print color: Pantone 422 grey
- Note 2: Print according to print file 617342
- Note 3: Tolerance +/- 1 for all location dim.
- Note 4: Tolerance +/- 0.5 for all symbols/text

ReSound dwg No 1887690, rev B

Revision	Zone	Nature of change	A= Added D=Deleted W=Was
04	H8	Updated Note 3 and added note 4	
04	A3	11.5 was 8.2	
04	A4	9.3 was 10.15, 5.5 was 6, 0.8 was 1.0	
04	C3	Added Model: to RC-1	
04	C4	Deleted N2792 from symbol	

Drawn	Sign	Material	Mass
2013-05-28	Liridon Dana		
Reviewed	Sign	For dim/radius < 0,5 without specified tolerance ± 0,05 applies	Status
2013-06-24	Daniel Rådberg		Released
Released	Sign	Tolerance	* = CRITICAL TO FUNCTION
2013-06-25	Mats Dotevall		Projection method
			E
			ECM number
			2154
		Name	Scale
		<b>Cochlear™</b>	Format
		BK COVER	A3
		PTD,RC-1,COCHLEAR	Sheet
			1/1
			Drawing number
			615375
			Revision
			04

1 2 3 4 5 6 7 8 9 10 11 12 13

A B C D E F G H

A B C D E F G H

1 2 3 4 5 6 7 8 9 10 11 12 13