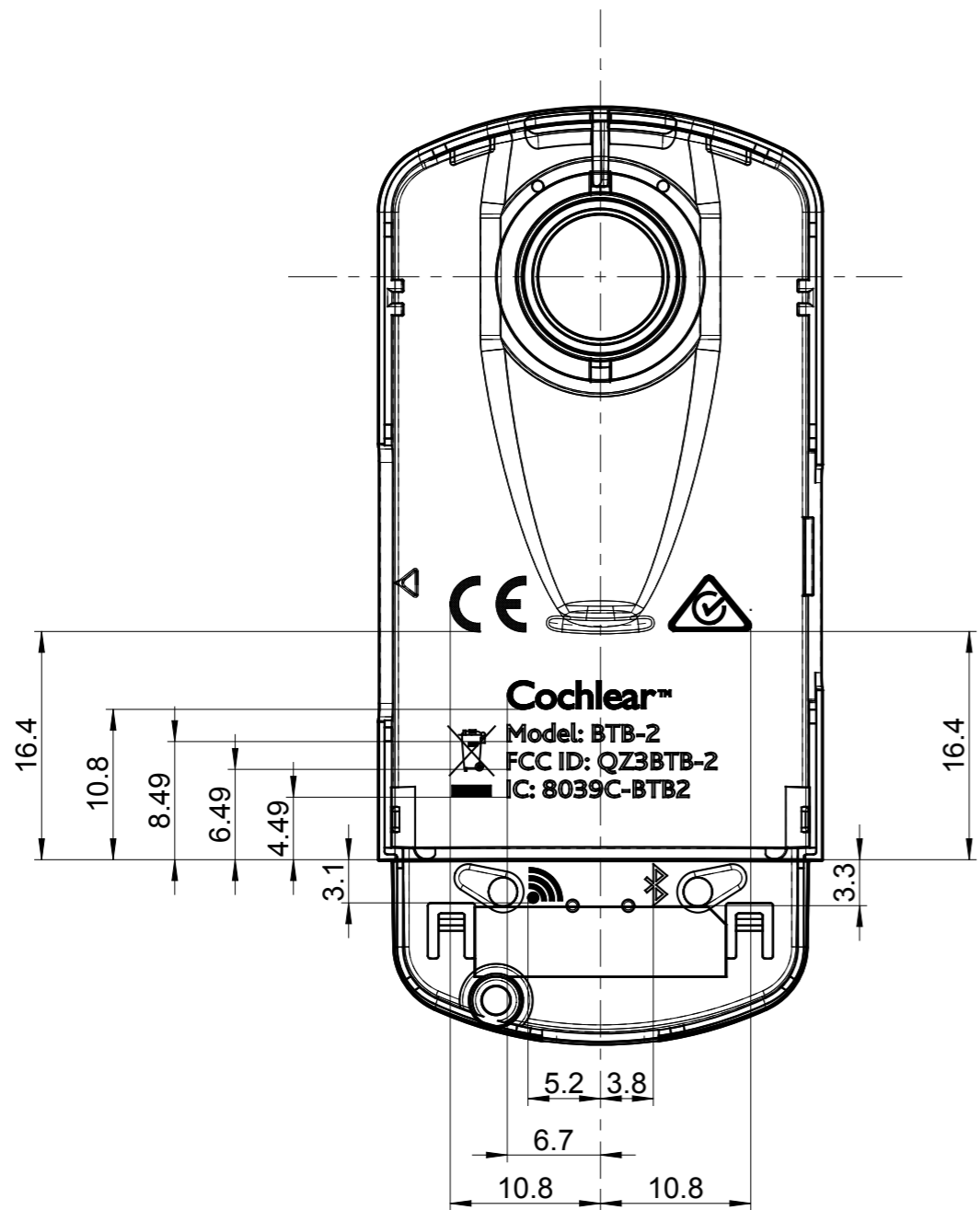


3D model:

70007:06

This document is confidential information and the property of Cochlear and must not be copied, shown to or given to any third party without our written permission.

2D drawing: 615376-03.6



Cochlear™

Cochlear wordmark according to 612395, height 2 mm

Model: BTB-2

Bliss Pro (regular), height: 1.2 mm

FCC ID: QZ3BTB-2

(USA) Bliss Pro (regular), height: 1.2 mm

IC: 8039C-BTB2

(Canada) Bliss Pro (regular), height: 1.2 mm



CE-mark, Symbol according to 60247, height 4 mm



European Union WEEE Directive Logo, height: 5mm



(AUS) RCM-symbol for ACMA, height: 4 mm



Wireless symbol according to 616929, height 2.5 mm
color White (marastar SR 70)



Bluetooth symbol height: 3 mm, color White (marastar SR 70)

- Note 1: Print color: Pantone 422 grey
- Note 2: Print according to print file 617343
- Note 3: Tolerance +/-1 for all location dim.
- Note 4: Tolerande +/- 0.5 for symbols/text

ReSound dwg No 1887670, rev B

Revision	Zone	Nature of change	A= Added D=Deleted W=Was
03	H8	Updated Note 3 and Added Note 4	
03	B12	height 2mm was height 2.5	
03	F6	16.4 was 17.7	
03	H4	Added dim 10.8	
03	E3	Added Model: to BTB-2	
03	E4	Deleted N2792 from symbol	
03	E12	height: 4mm was height: 3 mm	

Drawn	Sign	Material	Mass
2013-05-28	Liridon Dana		
Reviewed	Sign	For dim/radius < 0,5 without specified tolerance ± 0,05 applies	Status
2013-06-24	Daniel Rådberg		Released
Released	Sign	Tolerance	* = CRITICAL TO FUNCTION
2013-06-25	Mats Dotevall		
Cochlear™		Name	Scale
		BK COVER	Format
		PTD,BTB-2,COCHLEAR	A3
		Drawing number	Sheet
		615376	1/1
		Revision	
		03	

1 2 3 4 5 6 7 8 9 10 11 12 13

A

B

C

D

E

F

G

H

A

B

C

D

E

F

G

H

I

1 2 3 4 5 6 7 8 9 10 11 12 13