

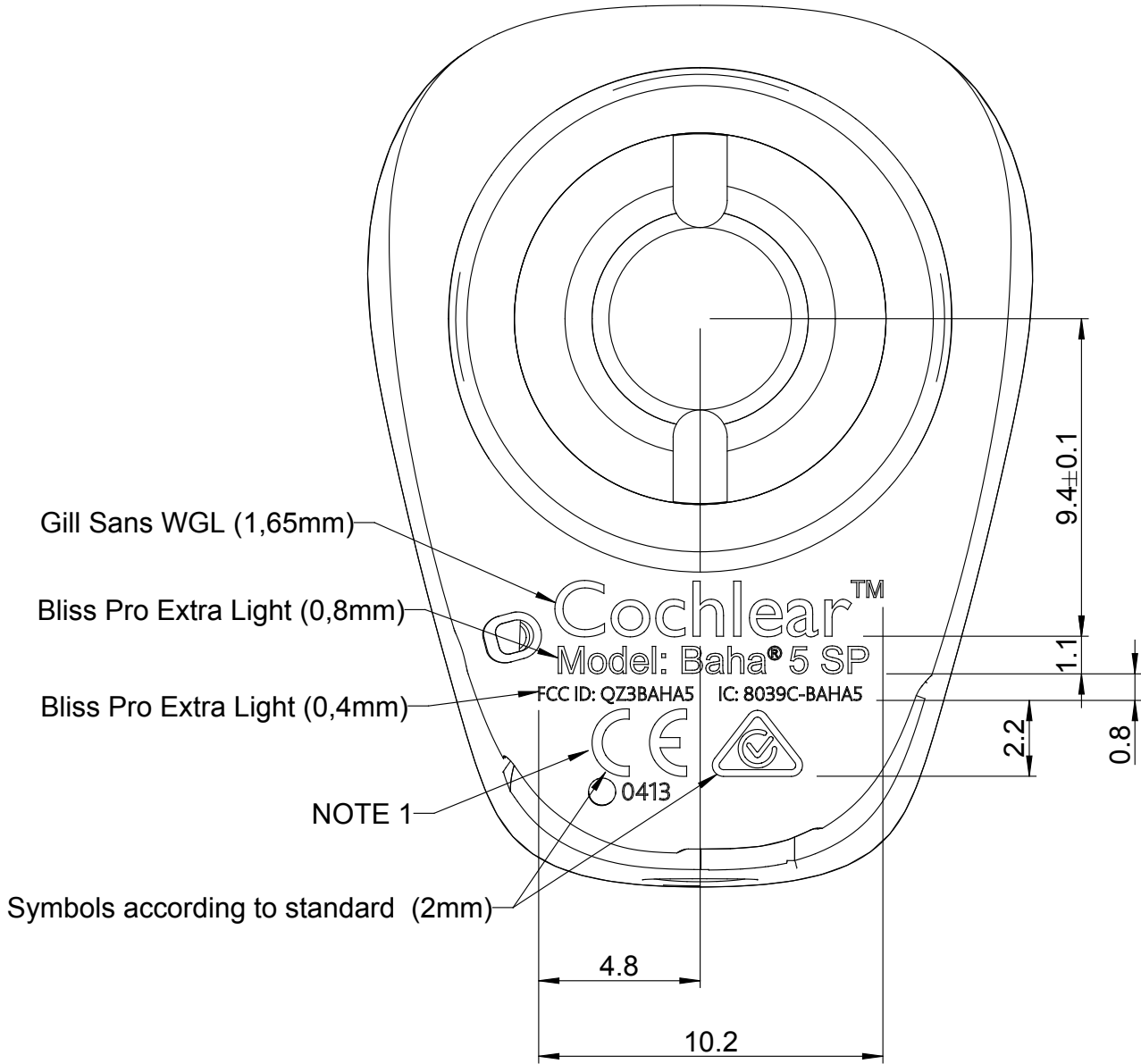
3D model: 624097-04.1

70006:06

This document is confidential information and the property of Cochlear and must not be copied, shown to or given to any third party without our written permission.

2D drawing: 624693-01.2

Revision	Zone	Nature of change	A=Added	D=Deleted	W=Was
01		Tolerance was SS-ISO 2768 f/H			
A 01	D6	Dimension 9.4±0.1 was 9.4			



NOTE:
1. COLOUR FOR ALL TEXT AND SYMBOLS: BLACK C

Drawn 2014-04-22 Liridon Dana	Sign	Material	Mass
Reviewed 2014-04-22 Marcus Vardfjäll	Sign	For dim/radius < 0,5 without specified tolerance ± 0,05 applies	Status Released
Released 2014-04-22 Daniel Rådberg	Sign	Tolerance SS-ISO 2768 m/H	* = CRITICAL TO FUNCTION
Cochlear™	Name PROTOTYPE - Joe Dalton Pad Print	Projection method E	ECM number 2405
		Scale 5:1	Format A4
		Drawing number 624693	Sheet 1/1
			Revision 01

1 2 3 4 5 6