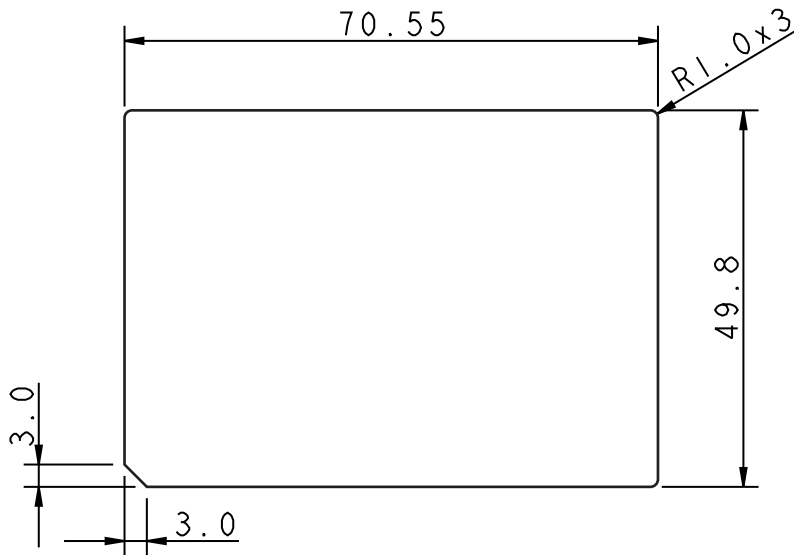


ITEM	CONTENTS OF CHANGE	RVS	CHK	APV	M/D/Y	TOL								DATE	MATERIAL	SEE NOTES	TREATMENT	PROJECTION						
						RANGE	Pla	Met	Ins	Por	Cab	Pac	Gas	PCB	UNIT	MM	SCALE	1.00	DRAWING NAME	T800-UHF-RFID				
					/ /	0~6	0.1	0.1	0.1	0.2	0.5	1	0.5	0.1	DRAWN	DESIGNED	CHECKED	APPROVED	MATERIAL NO.	MF			R 00A	
					/ /	6~30	0.1	0.1	.15	.25	1	1	0.5	0.1										
					/ /	30~80	0.1	.15	0.2	0.3	2	1.5	1	0.1										
					/ /	80~180	.15	.15	.25	0.3	2	2	1	.15										
					/ /	180~315	.15	0.2	0.3	0.4	2.5	2	1	.15										
					/ /	315~800	0.2	0.3	0.4	0.5	3	3	2	.15										

Getac Technology Corp.



- NOTE:
1. MATERIAL: EFR65, T0.254mm  
IT MUST BE APPROVED BY UL & CSA STANDARD.
  2. LABEL SHOULD HAVE PRESSURE SENSITIVE ADHESIVE WITH PROTECTIVE RELEASE LINER ON THE BACK SIDE.
  3. COLORS: a. TEXT FOREGROUND: PANTONE WHITE  
b. BACKGROUND: PANTONE BLACK
  4. LABEL MANUFACTURER MUST USE A PROCESS AND MATERIALS. THOSE WHICH HAVE BEEN APPROVED BY UL & CSA.
  5. THE PHYSICAL SAMPLES MUST ACCORDING GP REQUEST.
  6. 黏性：黏著力為高黏
  7. 表面：粗糙面
  8. 貼附位置：BATTERY HOUSING
  9. 環測項目及條件。(判定標準 FOLLOW “QAP-4-75-A 系統表面處理的測試規範”)
  10. ADHESIVE：3M467

ITEM	CONTENTS OF CHANGE	RVS	CHK	APV	M/D/Y	TOL ±	DATE 2014/JAN/09 MATERIAL SEE NOTES TREATMENT REMARK														
							Pl	Me	Ins	Por	Con	Pac	Gas	PCB	UNIT	SCALE	---	DRAWING NAME	TF1-LABEL;RATING,UHF SNAP BACK RFID,T800-RFIDC		
						0~6	0.1	0.1	0.1	0.2	0.5	1	0.5	0.1	DRAWN	DESIGNED	CHECKED	APPROVED	MATERIAL NO.	MF 2421223R0001R00	
						6~30	0.1	0.1	.15	.25	1	1	0.5	0.1							
						30~80	0.1	.15	0.2	0.3	2	1.5	1	0.1							
						80~180	.15	.15	.25	0.3	2	2	1	.15							
						180~315	.15	0.2	0.3	0.4	2.5	2	1	.15							
						315~800	0.2	0.3	0.4	0.5	3	3	2	.15							

廖梅華

李惠民

Getac Technology Corp.